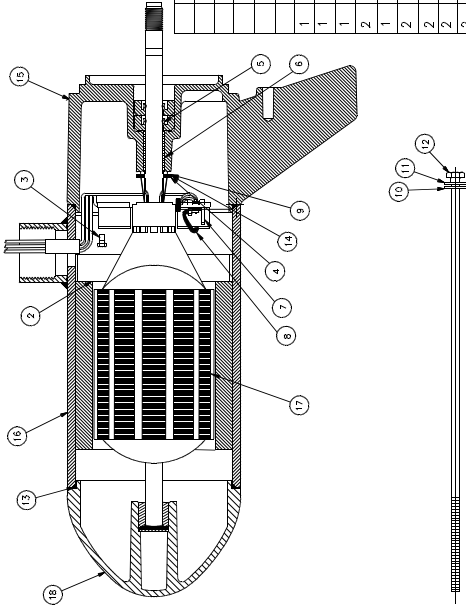


NOTE—TORQUE THRU
BOLT—PART MR218—02
TO .35-.40 INCH
POUNDS

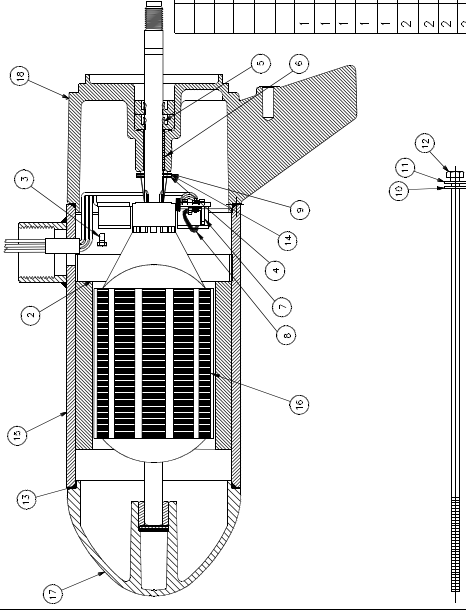


3.5" - 55# - 5 SPEED MOTOR

REPAIR PARTS LIST

QTY	REQ NO	DESCRIPTION	PART NO.
		REPAIR KIT (INCLUDES ALL)	7317
1	18	NOSE CAP S/A	JF3212-01BSAW
1	17	ARMATURE 3.5"	JF3207-01
1	16	HOUSING ASSY	JF3210-01BSAW
2	15	COMM CAP COMPLETE	BF3205-01CSAW
1	14	WASHER	MR227-01
2	13	"O"-RING SEAL	MR217-01
2	12	THRU BOLT	MR218-02
2	11	THRU BOLT WASHER	MR222-01
2	10	STATIC SEAL	MR216-01
1	9	NYLATRON WASHER	MR226-01
1	8	BRUSH ASSY-LESS SPRING	BF3201-01
2	7	BRUSH SPRINGS	MR214-02
1	6	BEARING	MR206-01
2	5	SHAFT SEAL	MR223-01
1	4	"E" RING	MR219-02
2	3	BRUSH CARD SCREW	MR228-01
1	2	RETAINER	JF233-01
1	1	3.5"-55#-5 SPEED MOTOR	BF397-02
MS	REQ NO		
REQ	NO		

NOTE—TORQUE THRU
BOLT—PART MR218
TO .35-.40 INCH
POUNDS

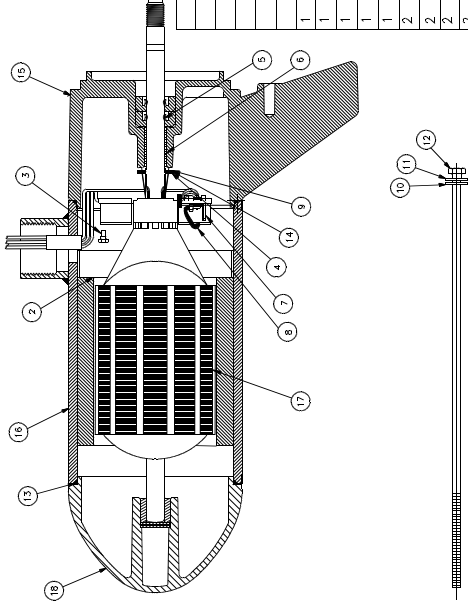


3.5" - 37# - 5 SPEED MOTOR

REPAIR PARTS LIST

QTY	REQ NO	DESCRIPTION	PART NO.
		REPAIR KIT (INCLUDES ALL)	7317
1	18	COMM CAP COMPLETE	DF
1	17	NOSE CAP S/A	JF
1	16	ARMATURE 3.5"	KF
1	15	HOUSING ASSY	*
2	14	WASHER	*
2	13	"O"-RING SEAL	*
2	12	THRU BOLT	*
2	11	THRU BOLT WASHER	*
2	10	STATIC SEAL	*
1	9	NYLATRON WASHER	*
1	8	BRUSH ASSY-LESS SPRING	*
2	7	BRUSH SPRINGS	*
1	6	BEARING	*
2	5	SHAFT SEAL	*

NOTE—TORQUE THRU
BOLT—PART MR218—02
TO .35-.40 INCH
POUNDS



3.5" - 41# - 5 SPEED MOTOR

REPAIR PARTS LIST

QTY	REQ NO	DESCRIPTION	PART NO.
		REPAIR KIT (INCLUDES ALL)	7317
1	18	NOSE CAP S/A	JF3212-01BSAW
1	17	ARMATURE 3.5"	CF3207-01
1	16	HOUSING ASSY	JF3210-01BSAW
1	15	COMM CAP COMPLETE	DF3205-01CSAW
2	14	WASHER	MR227-01
2	13	"O"-RING SEAL	MR217-01
2	12	THRU BOLT	MR218-02
2	11	THRU BOLT WASHER	MR222-01
2	10	STATIC SEAL	MR222-01
1	9	NYLATRON WASHER	MR226-01
1	8	BRUSH ASSY-LESS SPRING	DF3201-01
2	7	BRUSH SPRINGS	MR214-02
1	6	BEARING	MR206-01
2	5	SHAFT SEAL	MR223-01
1	4	"E" RING	MR219-02
2	3	BRUSH CARD SCREW	MR228-01
1	2	RETAINER	JF233-01
1	1	3.5"-41#-5 SPEED MOTOR	DF597-02
MS	REQ NO		
REQ	NO		