

MotorGuide® REPAIR PARTS

Model:
**TRACKER HAND
 OPERATED**

**PARTS ORDERING & TECH
 ASSISTANCE**

MotorGuide Consumer Relations
 Phone 918-831-6989
 Fax 800-982-8093

Send Returned Goods to:

MotorGuide
 605 Hwy 12 West
 Starkville, MS 39760

*Returned Goods must be accom-
 panied with a Returned Goods
 Authorization. Contact
 MotorGuide Consumer Relations
 to obtain RGA.*

COVER ASSEMBLY
 ZT053-16BX40H
 ZT053-17BX30H

KT150-02

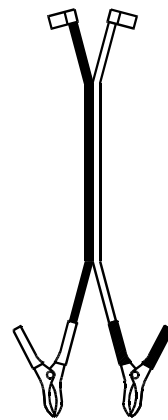
HANDLE ASSEMBLY
 ZT372-03

FP021-02

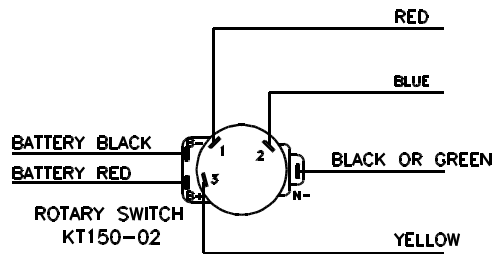
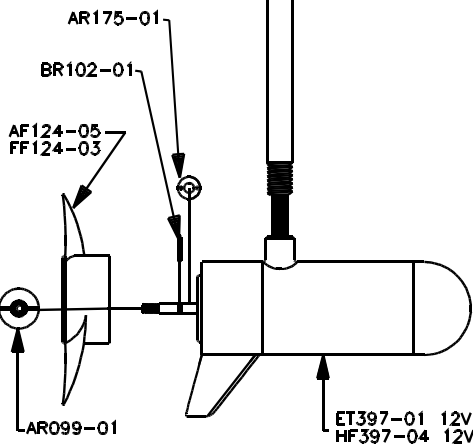
ZT004-01

COLLAR ASSEMBLY
 AR158-01

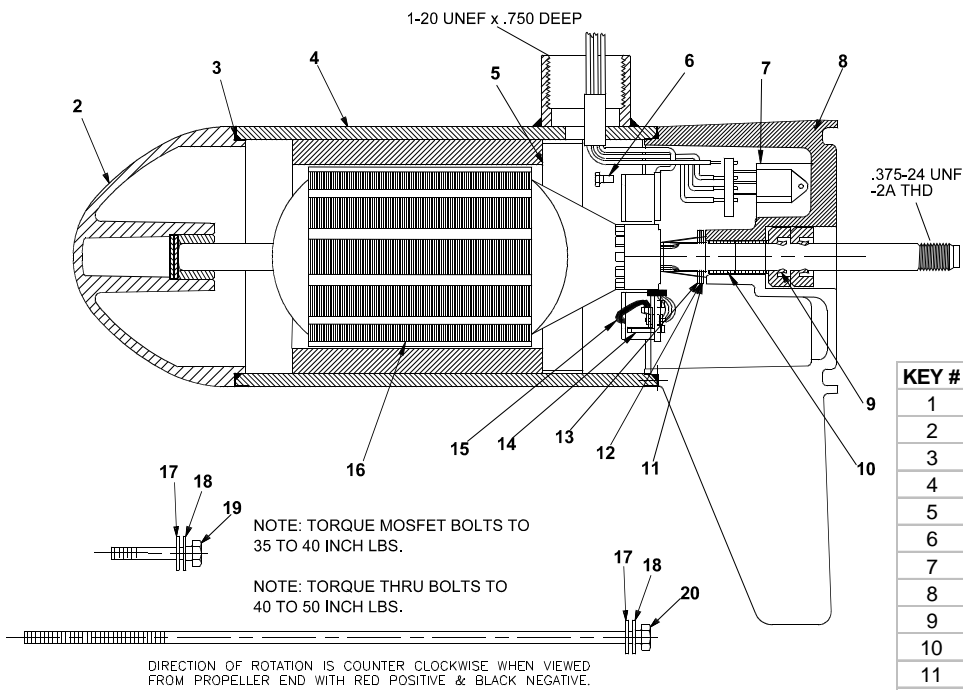
TT049-01



BATTERY CABLE ASSY
 TT328-03



WIRING DIAGRAM



KEY #	QTY	DESCRIPTION	PART NO.
1	X	MOTOR	ET397-01
2	1	NOSE CAP	JF3212-01
3	2	O RING SEAL	MR217-01
4	1	HOUSING ASSY	ET3210-01
5	1	RETAINER	JF233-01
6	2	BRUSH CARD SCREW	MR228-01
7	1	COMM CAP	ET3205-01
8	2	SHAFT SEAL	MR223-01
9	1	BEARING	MR206-01
10	1	NYLATRON WASHER	MR226-01
11	1	WASHER	MR227-01
12	1	E RING	MR219-01
13	2	BRUSH SPRINGS	MR214-02
14	1	BRUSH ASSY LESS SPRING	DF3201-01
15	1	ARMATURE 3.5"	KF3207-01
16	4	STATIC SEAL	MR222-01
17	4	THRU BOLT WASHER	MR216-01
18	2	THRU BOLT	MR218-01

NOTE-TORQUE THRU BOLT, PART MR218-06 30 TO 40 IN-LB

3"-24#-5 SPEED MOTOR
REPAIR PARTS LIST

1	15	NOSE CAP ASS'Y	FF3212-01BSAW
1	14	WASHER	MR227-01
2	13	"O"-RING SEAL	HF217-01
2	12	THRU BOLT	MR218-06
2	11	THRU BOLT WASHER	MR216-01
2	10	STATIC SEAL	MR222-01
1	9	NYLATRON WASHER	MR226-01
1	8	BRUSH ASS'Y	FF3201-01
2	7	BRUSH SPRINGS	MR214-02
1	6	COMM CAP ASS'Y	FF3205-01BSAW
2	5	SHAFT SEAL	MR223-01
1	4	"E" RING	MR219-02
1	3	ARMATURE ASS'Y	HF3207-02
1	2	HOUSING ASS'Y	HF3210-01BSAW
X	1	3"-24#-5 SPEED MOTOR	HF397-04
NO. REQ'D	ITEM NO.	DESCRIPTION	PART NO.