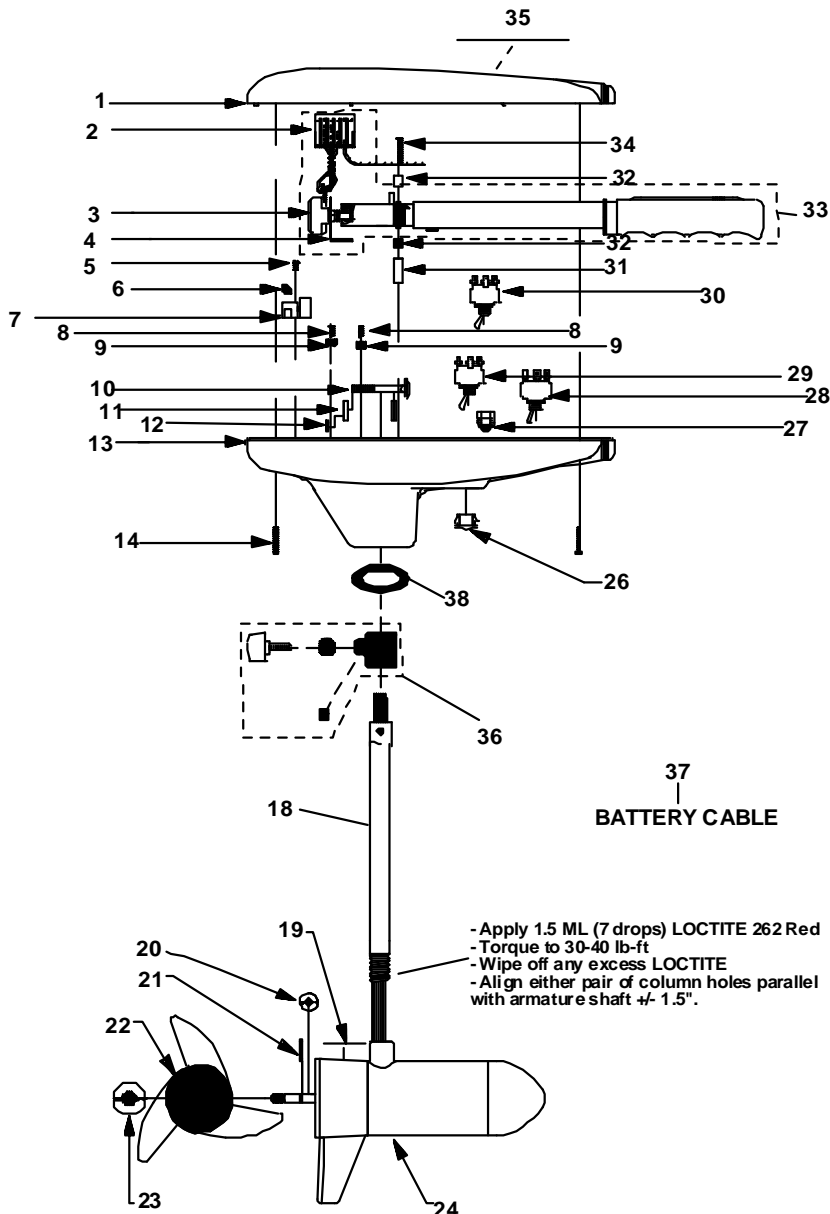


MotorGuide REPAIR PARTS

Model: **POWER** *plus*
T62V



SPECIFICATIONS:

Year of Intro	1998
Thrust	62 LBS
Volts	24VDC
Amp Draw	0 to 33 amps
Mount	20 Bow
Speeds	Variable

QUICK REFERENCE PARTS GUIDE:

FOR/REV Switch	FP153-06
DA Board	JF157-02
MOSFET	JF096-07
Motor Seal Kit	6220

PARTS ORDERING & TECH ASSISTANCE

MotorGuide Consumer Relations
 Phone 918-831-6989
 Fax 800-982-8093

Send Returned Goods to:

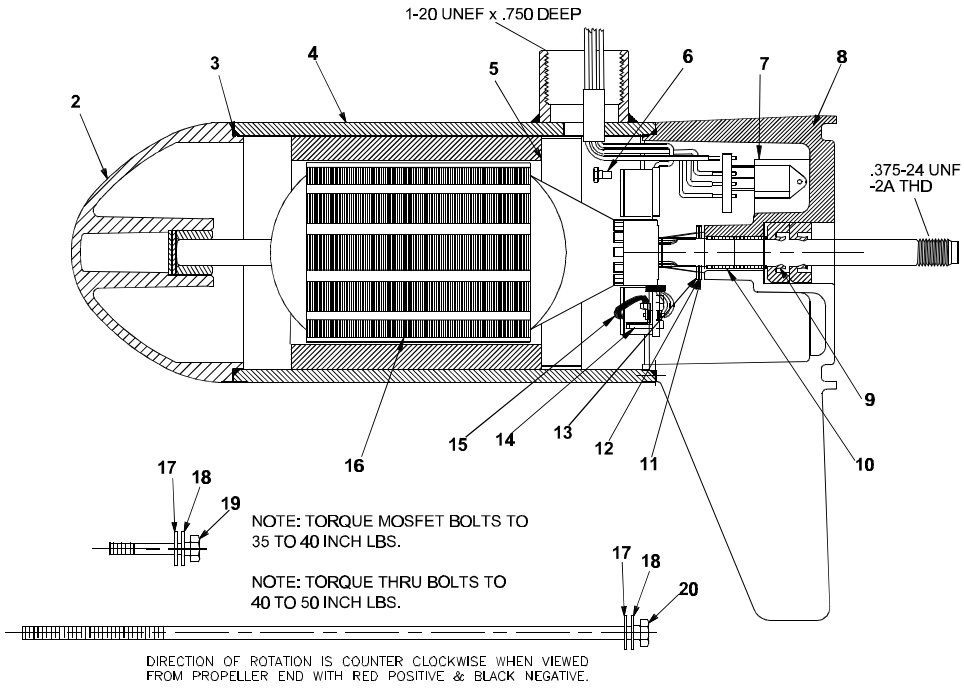
MotorGuide
 605 Hwy 12 West
 Starkville, MS 39760

Returned Goods must be accompanied with a Returned Goods Authorization. Contact MotorGuide Consumer Relations to obtain RGA.

KEY	DESCRIPTION	PART #	KEY	DESCRIPTION	PART #
1	TOP HOUSING COVER BLACK	AT053-10	26	HOLE PLUG	FP021-03
2	AMP CONNECTOR	AP029-01	27	GROMMET	GR019-03
3	POTENTIOMETER	AP168-02	28	TOGGLE SWITCH 3 POSITIONS	FP153-05
4	POT BRACKET	AT155-03	29	FWD/REV SWITCH 2 POSITIONS	FP153-06
5	SELF TAPPING SCREW	AF141-01	30		
6	INSULATING SLEEVE	AT080-01	31	WIRE BRACKET	AT155-04
7	24 VOLT DURA AMP BOARD	JF157-02	32	RETAINER CLAMP	AR036-01
8	#10 X 1/2" SCREW	GR133-01	33	HANDLE ASY	AT372-03
9	TERMINAL BLOCK	FT160-01	34	8 X 1-3/8 SCREW	AR133-01
10	BOLT	TT134-01	35	NOMENCLATURE	JT056-07
11	CURVED WASHER	TT171-04	36	DEPTH COLLAR ASY	AR158-01
12	NYLON LOCK NUT	XT098-02	37	BATTERY CABLE	BT328-03
13	T/H BASE BLACK	AR004-14	38	COLUMN SEAL	AT079-01
14	SCREW #8 X 1"	LF141-04			
15	BAR KNOB DEPTH ADJUSTMENT	AR082-02			
16	COLUMN CLAMP WASHER	AR171-01			
17	COLUMN SUPPORT NUT	FR098-01			
18	COLUMN 42"	FR049-15			
	COLUMN 50"	FR049-13			
19	LOWER UNIT DECAL	ET060-04			
20	MONOFILAMENT WASHER	AR175-01			
21	PROP DRIVE PIN	BR102-01			
22	PROP/3 BLADE	AF124-10			
23	PROP NUT	AR099-01			
24	H/O MOTOR	UF397-01			
25	DEPTH ADJUSTMENT COLLAR	AR051-01			

LOWER UNIT BREAKDOWN

Model:
T62V



WIRING

12V OR 24V D.A. WIRING DIAGRAM

SUBJECT TO DAMAGE BY STATIC ELECTRICITY ASSEMBLE AT STATIC FREE WORK STATION.

