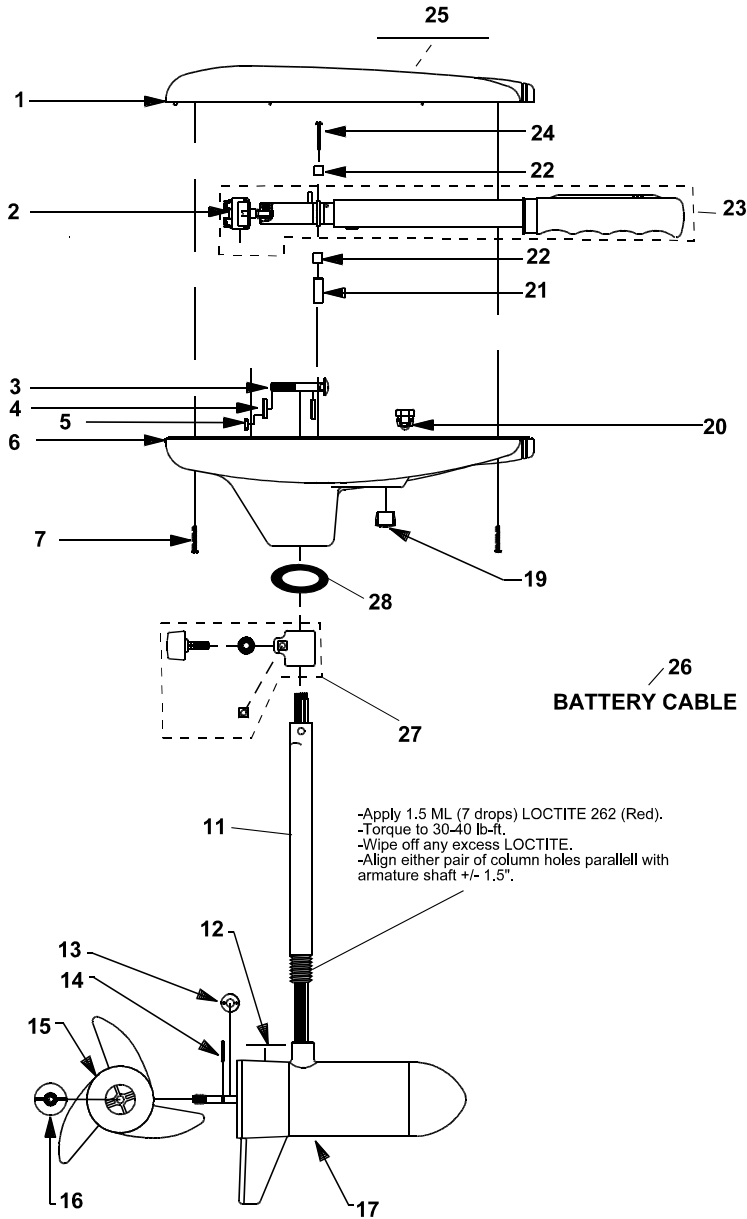


# MotorGuide® REPAIR PARTS

**Model:** POWER *plus*  
**T43 CAMO**



**SPECIFICATIONS:**

Year of Intro 1998  
 Thrust 43LBS  
 Volts 12VDC  
 Amp Draw 0 to 48 amps  
 Mount 03 Transom  
 Speeds 5/2

**QUICK REFERENCE PARTS GUIDE:**

Handle Asy BT372-08  
 Motor Seal Kit 6220  
 Rotary Switch KT150-02

**PARTS ORDERING & TECH ASSISTANCE**

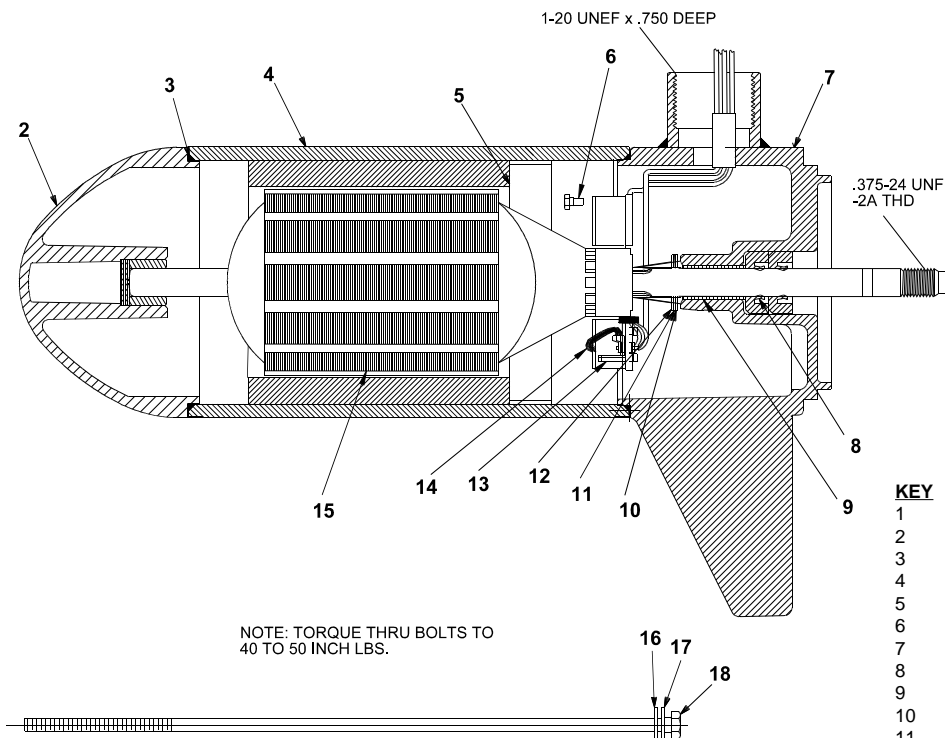
MotorGuide Consumer Relations  
 Phone 918-831-6989  
 Fax 800-982-8093

*Returned Goods must be accompanied with a Returned Goods Authorization. Contact MotorGuide Consumer Relations to obtain RGA.*

KEY	DESCRIPTION	PART #	KEY	DESCRIPTION	PART #
1	COVER CAMOFLAGE	HT053-17	18		
2	ROTARY SWITCH	KT150-02	19	1/2" HOLE PLUG	FP021-03
3	BOLT	TT134-01	20	GROMMET	GR019-03
4	CURVED WASHER	TT171-04	21	WIRE BRACKET	AT155-04
5	NYLON LOCK NUT	XT098-02	22	RETAINER CLAMP	AR036-01
6	T/H BASE CAMOFLAGE	AR004-02	23	5 SPEED HANDLE ASY	BT372-08
7	SCREW #8 X 1"	LF141-04	24	8 X 1-3/8 SCREW	AR133-01
8			25	NOMENCLATURE	HT056-13
9			26	BATTERY CABLE	TT328-03
10			27	DEPTH COLLAR ASY	AR158-02
11	36" H/O COLUMN CAMOFLAGE	MT049-13	28	COLUMN SEAL	AT079-01
12	MARINE LOWER UNIT DECAL	ET060-06			
13	MONOFILAMENT WASHER	AR175-01			
14	PROP DRIVE PIN	BR102-01			
15	PROP/ 3 BLADE	AF124-10			
16	PROP NUT	AR099-01			
17	MOTOR	ET397-02			

# LOWER UNIT BREAKDOWN

**Model:**  
**T43 CAMO**



KEY	QTY	DESCRIPTION	PART NO.
1	X	MOTOR	ET397-02
2	1	NOSE CAP	JF3212-01
3	2	O RING SEAL	MR217-01
4	1	HOUSING ASY	PF3210-01
5	1	RETAINER	JF233-01
6	2	BRUSH CARD SCREW	MR228-01
7	1	COMM CAP	ET3205-01
8	2	SHAFT SEAL	MR223-01
9	1	BEARING	MR206-01
10	1	NYLATRON WASHER	MR226-01
11	1	WASHER	MR227-01
12	1	E RING	MR219-02
13	2	BRUSH SPRINGS	MR214-02
14	1	BRUSH ASY LESS SPRING	DF3201-01
15	1	ARMATURE	PF3207-01
16	4	STATIC SEAL	MR222-01
17	4	THRU BOLT WASHER	MR216-01
18	2	THRU BOLT	MR218-14

## WIRING

