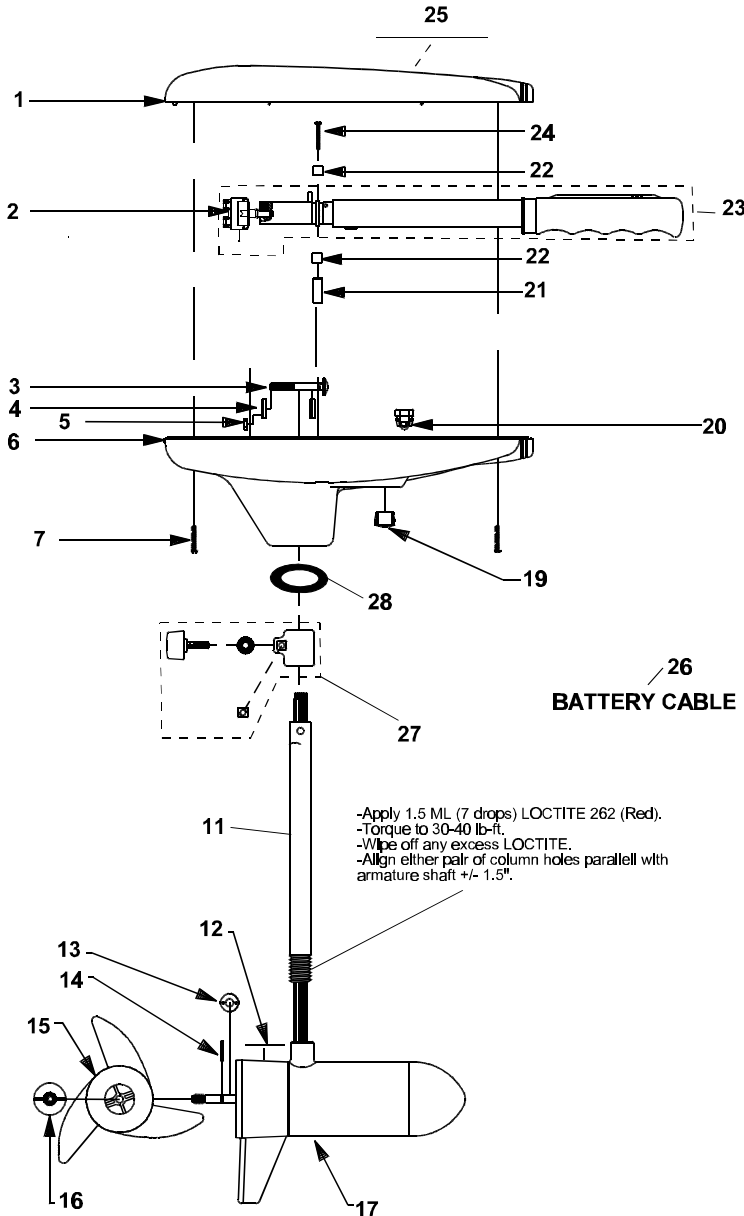


MotorGuide REPAIR PARTS

Model: **POWER plus**
T42



SPECIFICATIONS:

| | |
|---------------|--------------|
| Year of Intro | 1998 |
| Thrust | 42LBS |
| Volts | 12VDC |
| Amp Draw | 0 to 48 amps |
| Mount | 03 Transom |
| Speeds | 5\2 |

QUICK REFERENCE PARTS GUIDE:

| | |
|----------------|----------|
| Handle Asy | BT372-06 |
| Motor Seal Kit | 6220 |
| Rotary Switch | KT150-02 |

PARTS ORDERING & TECH ASSISTANCE

MotorGuide Consumer Relations
 Phone 918-831-6989
 Fax 800-982-8093

Send Returned Goods to:

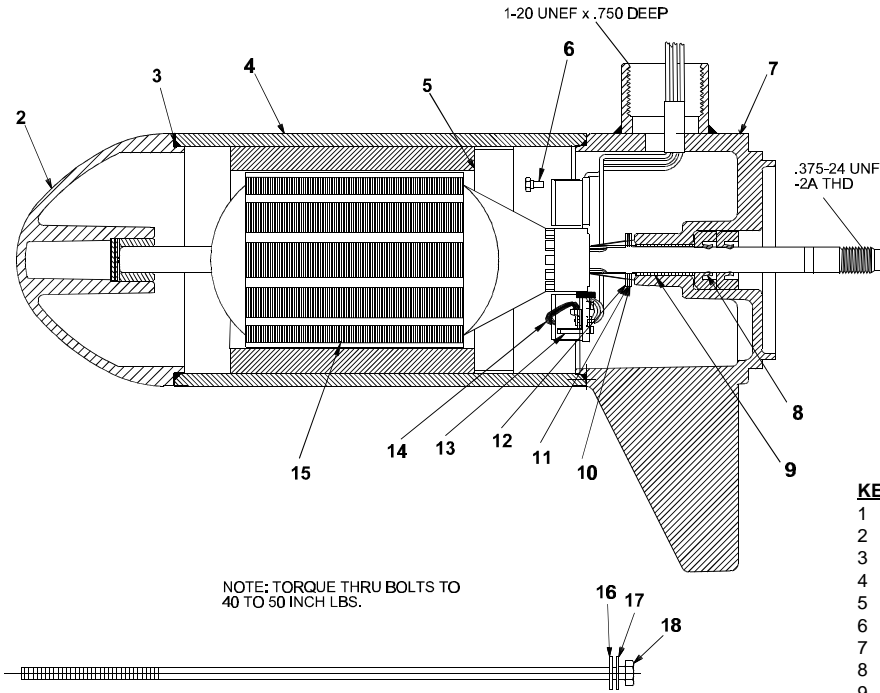
MotorGuide
 605 Hwy 12 West
 Starkville, MS 39760

Returned Goods must be accompanied with a Returned Goods Authorization. Contact MotorGuide Consumer Relations to obtain RGA.

| KEY | DESCRIPTION | PART # | KEY | DESCRIPTION | PART # |
|-----|--------------------------|----------|-----|-------------|----------|
| 1 | COVER BLACK | AT053-10 | 28 | COLUMN SEAL | AT079-01 |
| 2 | ROTARY SWITCH | KT150-02 | | | |
| 3 | BOLT | TT134-01 | | | |
| 4 | CURVED WASHER | TT171-04 | | | |
| 5 | NYLON LOCK NUT | XT098-02 | | | |
| 6 | T/H BASE BLACK | AR004-14 | | | |
| 7 | SCREW #8 X 1" | LF141-04 | | | |
| 8 | BAR KNOB | AR082-02 | | | |
| 9 | CLAMP WASHER | AR171-01 | | | |
| 10 | SUPPORT NUT | FR098-01 | | | |
| 11 | 42" .095 SS H/O COLUMN | FR049-15 | | | |
| 12 | MARINE LOWER UNIT DECAL | AF060-04 | | | |
| 13 | MONOFILAMENT WASHER | AR175-01 | | | |
| 14 | PROP DRIVE PIN | BR102-01 | | | |
| 15 | PROP/ 3 BLADE | AF124-10 | | | |
| 16 | PROP NUT | AR099-01 | | | |
| 17 | MOTOR | ET397-01 | | | |
| 18 | DEPTH ADJUSTMENT COLLAR | AR051-01 | | | |
| 19 | 1/2" HOLE PLUG | FP021-03 | | | |
| 20 | GROMMET | GR019-03 | | | |
| 21 | WIRE BRACKET | AT155-04 | | | |
| 22 | RETAINER CLAMP | AR036-01 | | | |
| 23 | 5 SPEED HANDLE ASY 96-97 | BT372-06 | | | |
| 24 | 8 X 1-3/8 SCREW | AR133-01 | | | |
| 25 | NOMENCLATURE | HT056-08 | | | |
| 26 | BATTERY CABLE | TT328-03 | | | |
| 27 | DEPTH COLLAR ASY | AR158-01 | | | |

LOWER UNIT BREAKDOWN

Model:
T42



| KEY | QTY | DESCRIPTION | PART NO. |
|-----|-----|-----------------------|-----------|
| 1 | X | MOTOR | ET397-01 |
| 2 | 1 | NOSE CAP | JF3212-01 |
| 3 | 2 | O RING SEAL | MR217-01 |
| 4 | 1 | HOUSING ASY | ET3210-01 |
| 5 | 1 | RETAINER | JF233-01 |
| 6 | 2 | BRUSH CARD SCREW | MR228-01 |
| 7 | 1 | COMM CAP | ET3205-01 |
| 8 | 2 | SHAFT SEAL | MR223-01 |
| 9 | 1 | BEARING | MR206-01 |
| 10 | 1 | NYLATRON WASHER | MR226-01 |
| 11 | 1 | WASHER | MR227-01 |
| 12 | 1 | E RING | MR219-01 |
| 13 | 2 | BRUSH SPRINGS | MR214-02 |
| 14 | 1 | BRUSH ASY LESS SPRING | DF3201-01 |
| 15 | 1 | ARMATURE 3.5" | KF3207-01 |
| 16 | 4 | STATIC SEAL | MR222-01 |
| 17 | 4 | THRU BOLT WASHER | MR216-01 |
| 18 | 2 | THRU BOLT | MR218-01 |

WIRING

