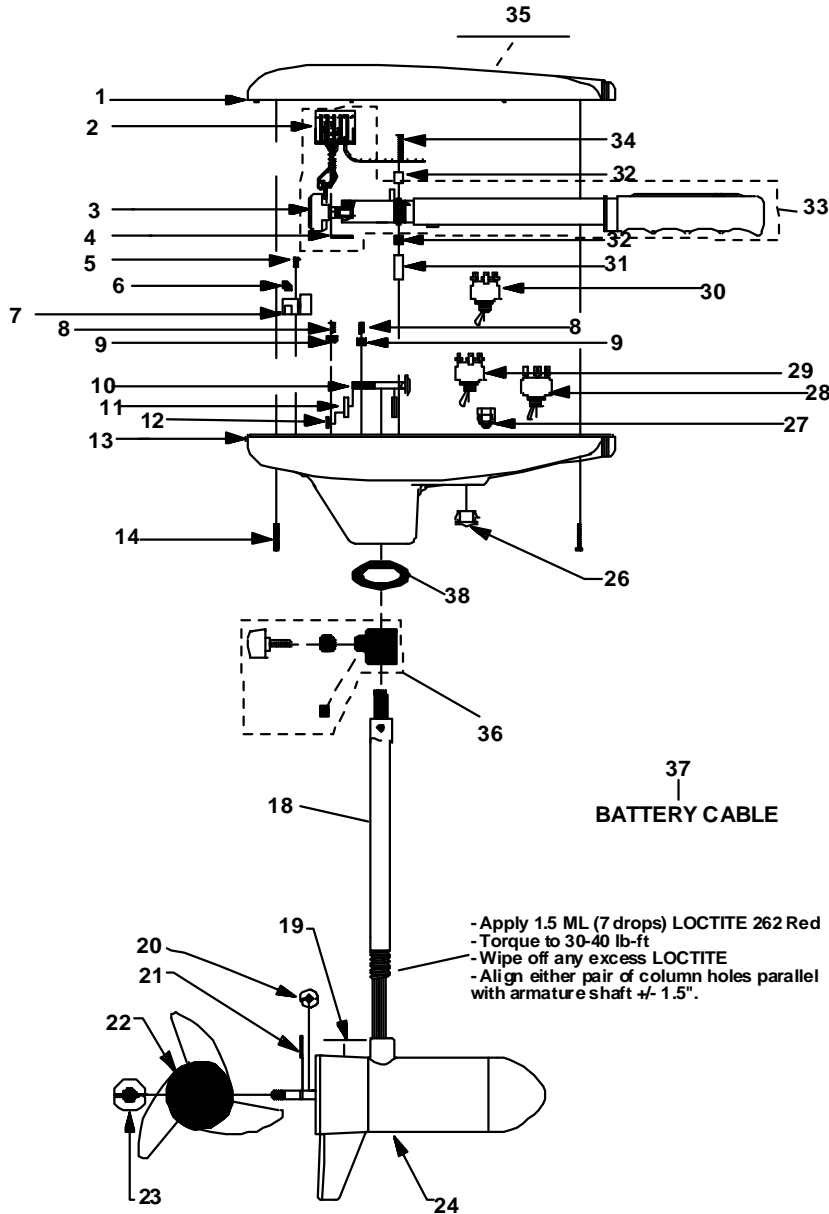


MotorGuide REPAIR PARTS

Model: **POWER plus**
T36V



SPECIFICATIONS:

Year of Intro	1998
Thrust	36LBS
Volts	12VDC
Amp Draw	0 to 48 amps
Mount	03 Transom
Speeds	Variable

QUICK REFERENCE PARTS GUIDE:

FOR/REV Switch	FP153-06
DA Board	JF157-03
MOSFET	JF096-07
Motor Seal Kit	6220

PARTS ORDERING & TECH ASSISTANCE

MotorGuide Consumer Relations
 Phone 918-831-6989
 Fax 800-982-8093

Send Returned Goods to:

MotorGuide
 605 Hwy 12 West
 Starkville, MS 39760

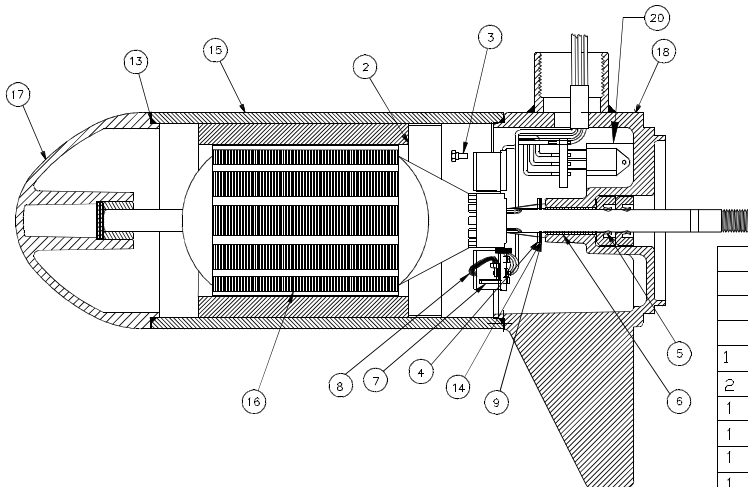
Returned Goods must be accompanied with a Returned Goods Authorization. Contact MotorGuide Consumer Relations to obtain RGA.

KEY	DESCRIPTION	PART #	KEY	DESCRIPTION	PART #
1	TOP HOUSING COVER BLACK	AT053-10	27	GROMMET	GR019-03
2	AMP CONNECTOR	AP029-01	28	TOGGLE SWITCH 3 POSITIONS	FP153-05
3	POTENTIOMETER	AP168-02	29	FWD/REV SWITCH 2 POSITIONS	FP153-06
4	POT BRACKET	AT155-03	30		
5	SELF TAPPING SCREW	AF141-01	31	WIRE BRACKET	AT155-04
6	INSULATING SLEEVE	AT080-01	32	RETAINER CLAMP	AR036-01
7	12 VOLT DURA AMP BOARD	JF157-03	33	HANDLE ASY	AT372-03
8	#10 X 1/2" SCREW	GR133-01	34	8 X 1-3/8 SCREW	AR133-01
9	TERMINAL BLOCK	FT160-01	35	NOMENCLATURE	NT056-11
10	BOLT	TT134-01	36	DEPTH COLLAR ASY	AR158-01
11	CURVED WASHER	TT171-04	37	BATTERY CABLE	BT328-03
12	NYLON LOCK NUT	XT098-02	38	COLUMN SEAL	AT079-01
13	T/H BASE BLACK	AR004-14			
14	SCREW #8 X 1"	LF141-04			
15	BAR KNOB DEPTH ADJUSTMENT	AR082-02			
16	COLUMN CLAMP WASHER	AR171-01			
17	COLUMN SUPPORT NUT	FR098-01			
18	COLUMN 42"	FR049-15			
19	LOWER UNIT DECAL	ET060-04			
20	MONOFILAMENT WASHER	AR175-01			
21	PROP DRIVE PIN	BR102-01			
22	PROP/3 BLADE	AF124-10			
23	PROP NUT	AR099-01			
24	H/O MOTOR	SF397-01			
25	DEPTH ADJUSTMENT COLLAR	AR051-01			
26	HOLE PLUG	FP021-03			

LOWER UNIT BREAKDOWN

Model:
T36V

NOTE - TORQUE THRU BOLT, BOLT, PART MR218-14, AND DURA AMP SCREW, PART MR229-02, TO 35-40 LB-IN



3.5"-36#-DA MOTOR

REPAIR PARTS LIST

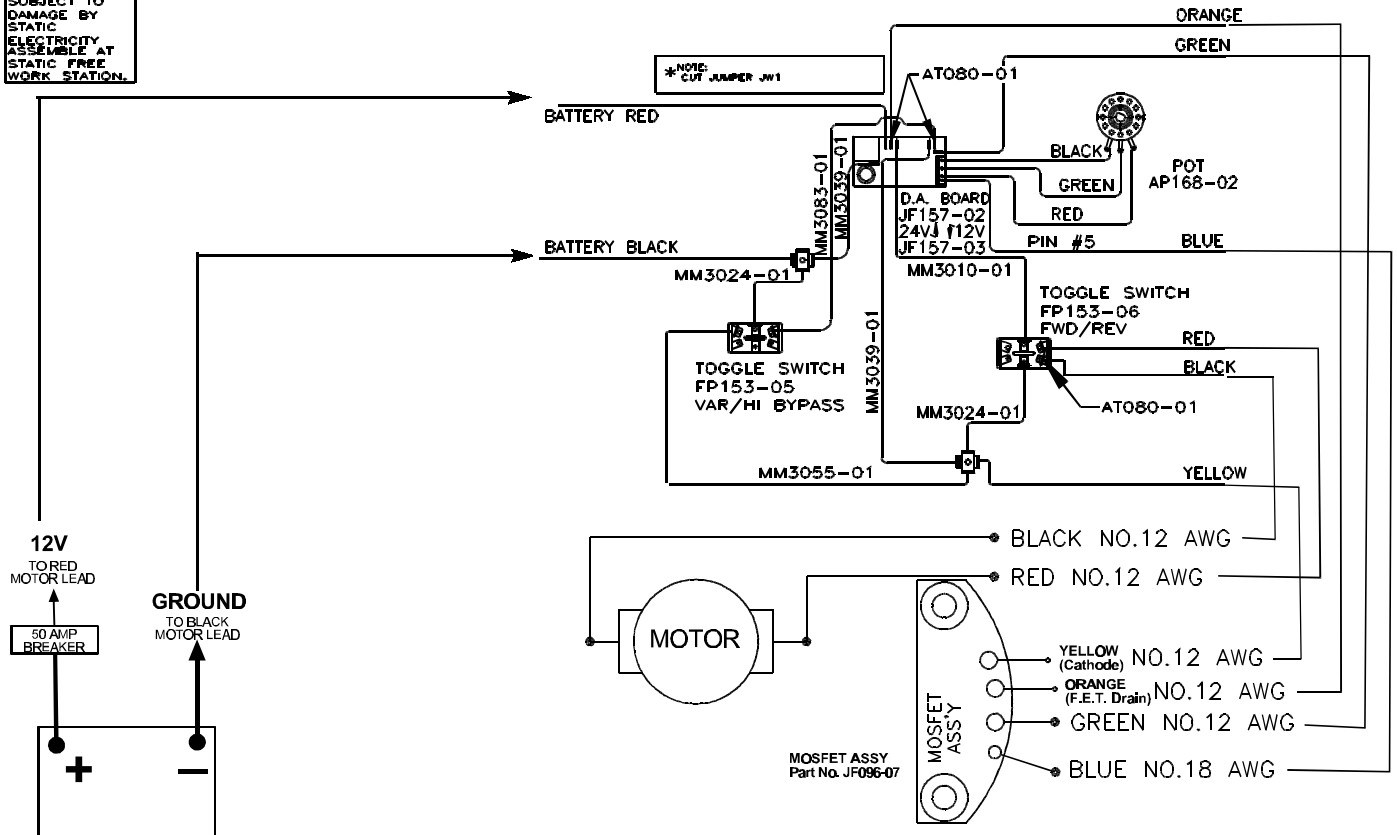
NO. REQ'D	ITEM NO.	DESCRIPTION	PART NO.
1	20	DURA AMP MODULE	JF096-07
2	19	DURA AMP SCREW	MR229-02
1	18	COMM CAP COMPLETE	SF3205-01ASAW
1	17	NOSE CAP S/A	JF3212-01BSAW
1	16	ARMATURE 3.5"	PF3207-01
1	15	HOUSING ASS'Y	PF3210-01ASAW
1	14	WASHER	MR227-01
2	13	"O"-RING SEAL	MR217-01
2	12	THRU BOLT	MR218-14
4	11	THRU BOLT WASHER	MR216-01
4	10	STATIC SEAL	MR222-01
1	9	NYLATRON WASHER	MR226-01
1	8	BRUSH ASS'Y-LESS SPRING	JF3201-01
2	7	BRUSH SPRINGS	MR214-02
1	6	BEARING	MR206-01
2	5	SHAFT SEAL	MR223-01
1	4	"E" RING	MR219-02
2	3	BRUSH CARD SCREW	MR228-01
1	2	RETAINER	JF233-01
1	1	3.5"-36#-DA MOTOR	SF397-01

SF397-01

WIRING

12V OR 24V D.A. WIRING DIAGRAM

SUBJECT TO DAMAGE BY STATIC ELECTRICITY ASSEMBLE AT STATIC FREE WORK STATION.



ASSEMBLE AT STATIC FREE WORK STATION!