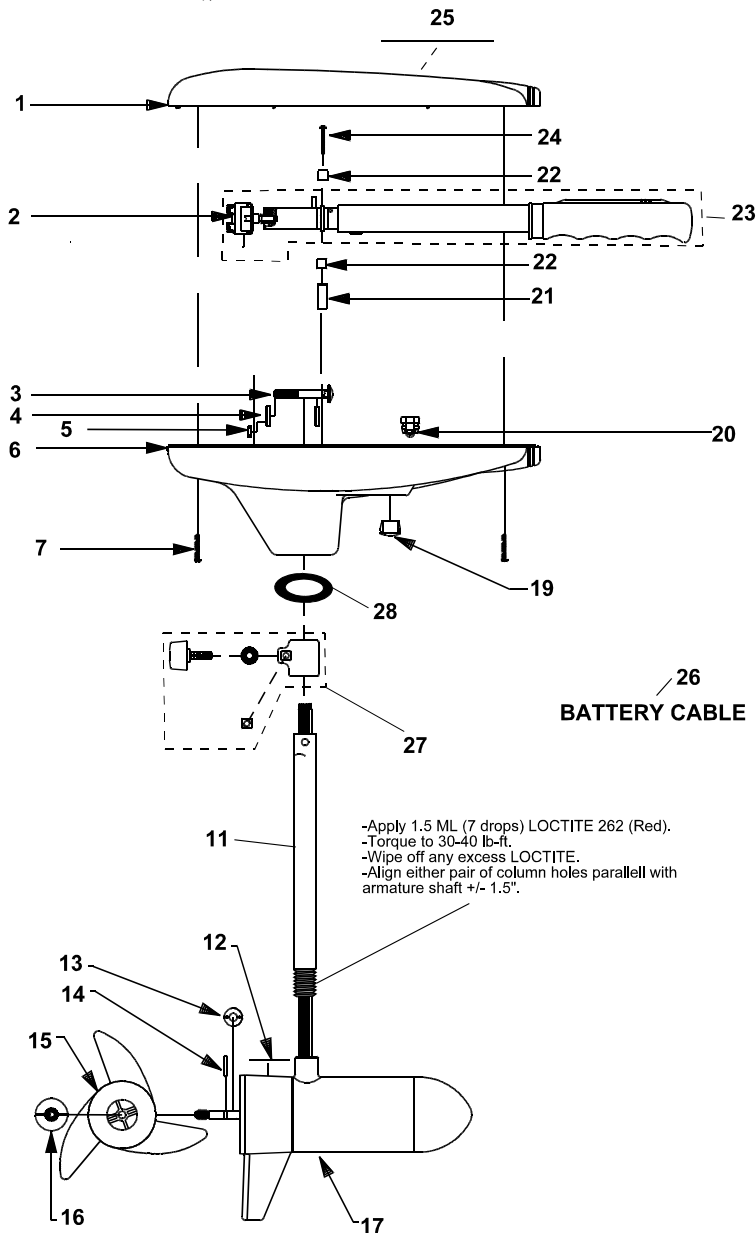


MotorGuide® REPAIR PARTS

Model: **POWERplus**
T34W



SPECIFICATIONS:

Year of Intro	2001
Thrust	34 LBS
Volts	12VDC
Amp Draw	0 to 48 amps
Mount	31 Transom
Speeds	5/2

QUICK REFERENCE PARTS GUIDE:

Handle Asy	BT372-06
Motor Seal Kit	6220
Rotary Switch	KT150-02

PARTS ORDERING & TECH ASSISTANCE

MotorGuide Consumer Relations
 Phone 918-831-6989
 Fax 800-982-8093

Send Returned Goods to:

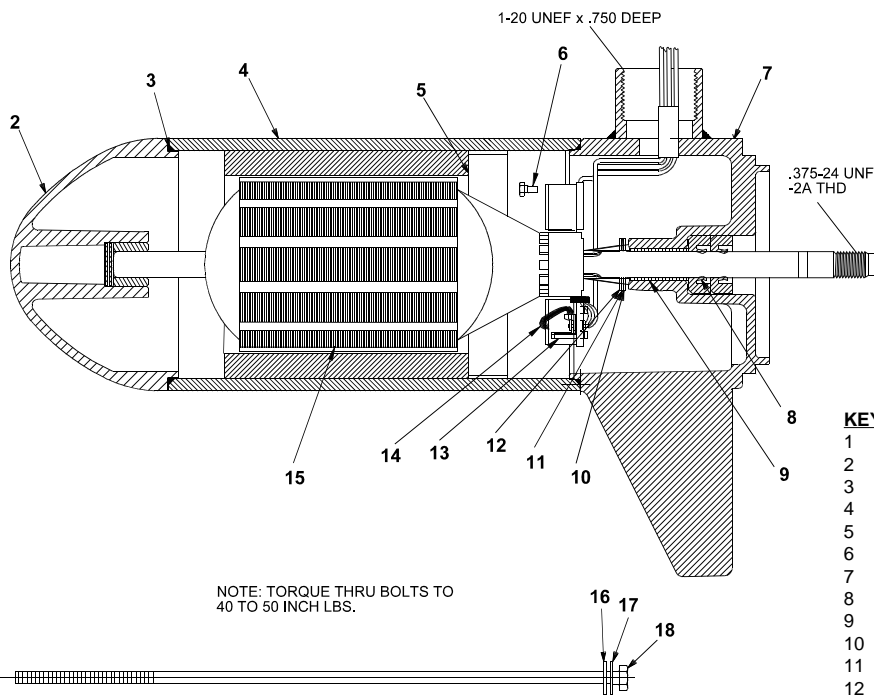
MotorGuide
 605 Hwy 12 West
 Starkville, MS 39760

Returned Goods must be accompanied with a Returned Goods Authorization. Contact MotorGuide Consumer Relations to obtain RGA.

KEY	DESCRIPTION	PART #	KEY DESCRIPTION	PART #
1	COVER BLACK	AT053-10	28	COLUMN SEAL
2	ROTARY SWITCH	KT150-02		
3	BOLT	TT134-01		
4	CURVED WASHER	TT171-04		
5	NYLON LOCK NUT	XT098-02		
6	T/H BASE BLACK	AR004-14		
7	SCREW #8 X 1"	LF141-04		
8	BAR KNOB	AR082-02		
9	CLAMP WASHER	AR171-01		
10	SUPPORT NUT	FR098-01		
11	30" ALUM COLUMN	MT049-11		
12	MARINE LOWER UNIT DECAL	AF060-04		
13	MONOFILAMENT WASHER	AR175-01		
14	PROP DRIVE PIN	BR102-01		
15	PROP/ 2 BLADE	FF124-03		
16	PROP NUT	AR099-01		
17	MOTOR	HF397-10		
18	DEPTH ADJUSTMENT COLLAR	AR051-01		
19	1/2" HOLE PLUG	FP021-03		
20	GROMMET	GR019-03		
21	WIRE BRACKET	AT155-04		
22	RETAINER CLAMP	AR036-01		
23	5 SPEED HANDLE ASY 96-97	BT372-07		
24	8 X 1-3/8 SCREW	AR133-01		
25	NOMENCLATURE	KT056-08		
26	BATTERY CABLE	BT328-03		
27	DEPTH COLLAR ASY	AR158-01		

LOWER UNIT BREAKDOWN

Model:
T30



NOTE: TORQUE THRU BOLTS TO 40 TO 50 INCH LBS.

KEY	QTY	DESCRIPTION	PART NO.
1	X	MOTOR	HF397-10
2	1	NOSE CAP	FF3212-03
3	2	O RING SEAL	HF217-01
4	1	HOUSING ASY	HF3210-05
5	1	RETAINER	JF233-01
6	2	BRUSH CARD SCREW	MR228-01
7	1	COMM CAP	FF3205-03
8	2	SHAFT SEAL	MR223-01
9	1	BEARING	MR206-01
10	1	NYLATRON WASHER	MR226-01
11	1	WASHER	MR227-01
12	1	E RING	MR219-02
13	2	BRUSH SPRINGS	MR214-02
14	1	BRUSH ASY LESS SPRING	FF3201-01
15	1	ARMATURE 3"	HF3207-02
16	4	STATIC SEAL	MR222-01
17	4	THRU BOLT WASHER	MR216-01
18	2	THRU BOLT	MR218-15

WIRING

