

MotorGuide® REPAIR PARTS

Model:
ST200

SPECIFICATIONS:

Year	1996
Thrust	24LBS
Volts	12VDC
Amp Draw	0 to 30 amps
Mount	31
Speeds	5/2

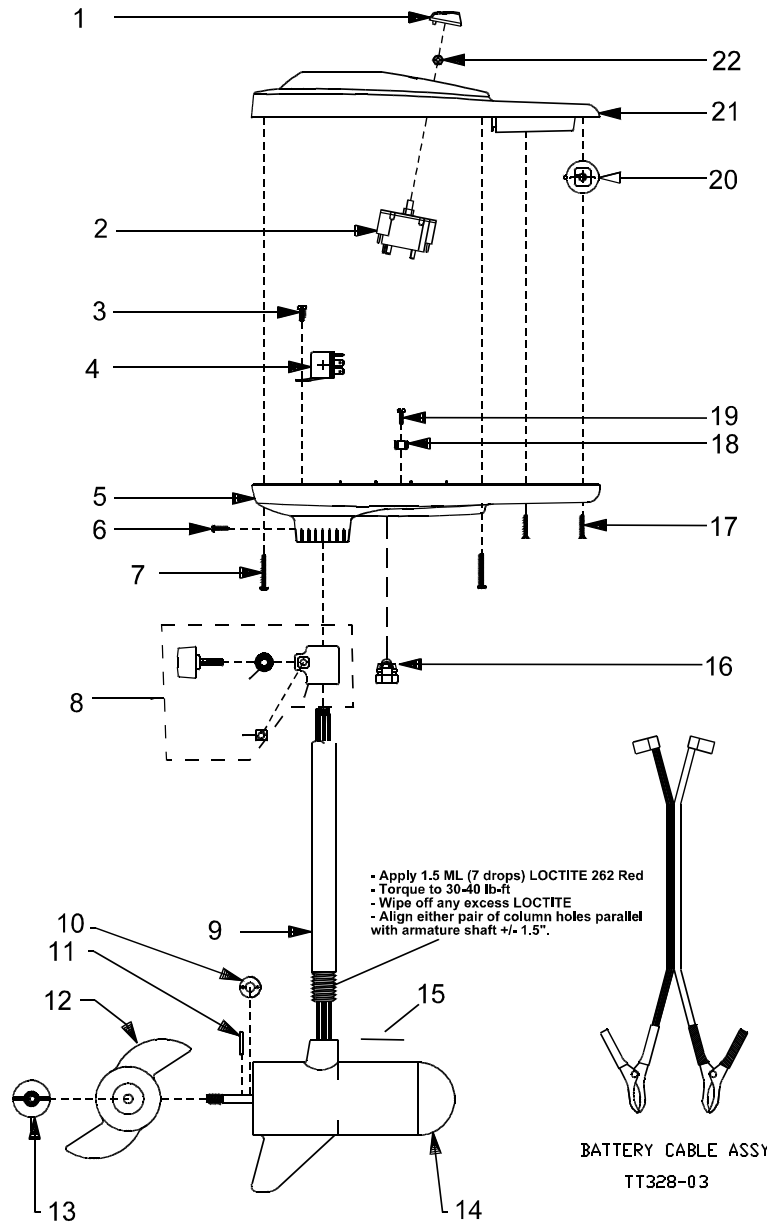
PARTS ORDERING & TECH ASSISTANCE

MotorGuide Consumer Relations
Phone 918-831-6989
Fax 800-982-8093

Send Returned Goods to:

MotorGuide
605 Hwy 12 West
Starkville, MS 39760

Returned Goods must be accompanied with a Returned Goods Authorization. Contact MotorGuide Consumer Relations to obtain RGA.



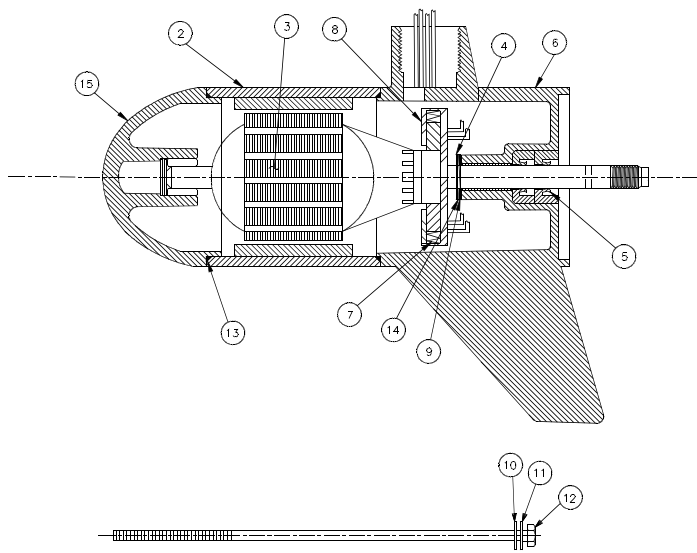
BATTERY CABLE ASSY
TT328-03

KEY	DESCRIPTION	PART #
1	KNOB	TT082-07
2	ROTARY SWITCH	KT150-02
3	#10x 1/2" SCREW	GR133-01
4	RELAY	TT128-01
5	T/H BASE BLACK	TT004-06
6	8 X 1-3/8 SCREW	AR133-01
7	8 X 1-3/8 SCREW	AR133-01
8	DEPTH COLLAR ASY	AR158-01
9	30" COLUMN	TT049-01
10	MONOFILAMENT WASHER	AR175-01
11	PROP DRIVE PIN	BR102-01
12	PROP	FF124-03
13	PROP NUT	AR099-01
14	5 SP MOTOR	FF397-04
15	MARINE LOWER UNIT DECAL	ET060-04
16	GROMMET	GR019-03
17	#4x 1" SCREW	TT141-02
18	TERMINAL	FT160-03
19	#10x 1/2" SCREW	GR133-01
20	ON/OFF HANDLE ASSY	TT372-01
21	T/H COVER	KT053-11
22	NUT	AT098-01

PARTS NOT ILLUSTRATED
NOMENCLATURE DECAL PT056-06

LOWER UNIT BREAKDOWN

Model:
ST200



NOTE-TORQUE THUR BOLT, PART MR218-06
30 TO 40 IN-LB



3"-24#-5 SPEED MOTOR

REPAIR PARTS LIST

NO. REQ'D	ITEM NO.	DESCRIPTION	PART NO.
1	15	NOSE CAP ASS'Y	FF3212-01BSAW
1	14	WASHER	MR227-01
2	13	"O"-RING SEAL	HF217-01
2	12	THRU BOLT	MR218-06
2	11	THRU BOLT WASHER	MR216-01
2	10	STATIC SEAL	MR222-01
1	9	NYLATRON WASHER	MR226-01
1	8	BRUSH ASS'Y	FF3201-01
2	7	BRUSH SPRINGS	MR214-02
1	6	COMM CAP ASS'Y	FF3205-01BSAW
2	5	SHAFT SEAL	MR223-01
1	4	"E" RING	MR219-02
1	3	ARMATURE ASS'Y	HF3207-02
1	2	HOUSING ASS'Y	HF3210-01BSAW
1	1	3"-24#-5 SPEED MOTOR	HF397-04

HF397-04

WIRING

