

# MotorGuide® REPAIR PARTS

Model:  
**ST170**

## SPECIFICATIONS:

Year	1996
Thrust	20LBS
Volts	12VDC
Amp Draw	0 to 27 amps
Mount	31
Speeds	2 Forward

## REPAIR INFORMATION

**IMPORTANT:** Both magnet housing and column must be replaced together.

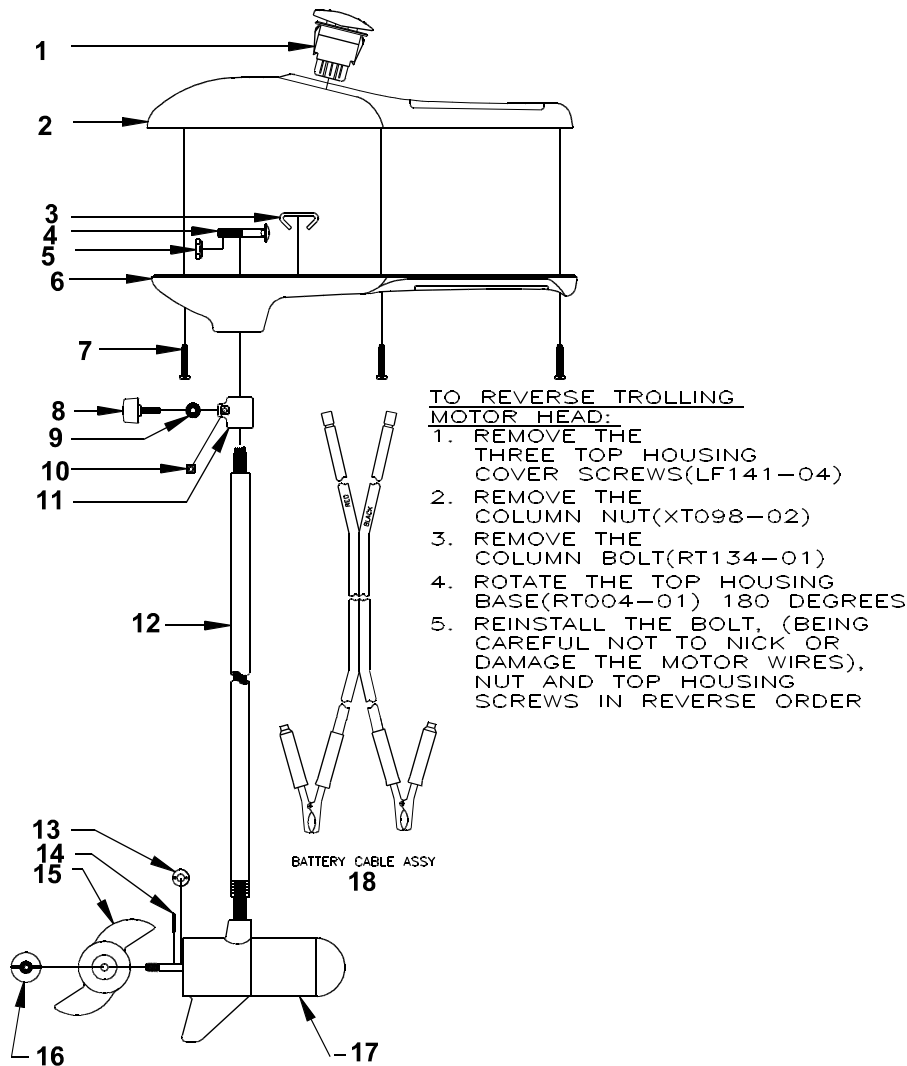
## PARTS ORDERING & TECH ASSISTANCE

MotorGuide Consumer Relations  
Phone 918-831-6989  
Fax 800-982-8093

### Send Returned Goods to:

MotorGuide  
605 Hwy 12 West  
Starkville, MS 39760

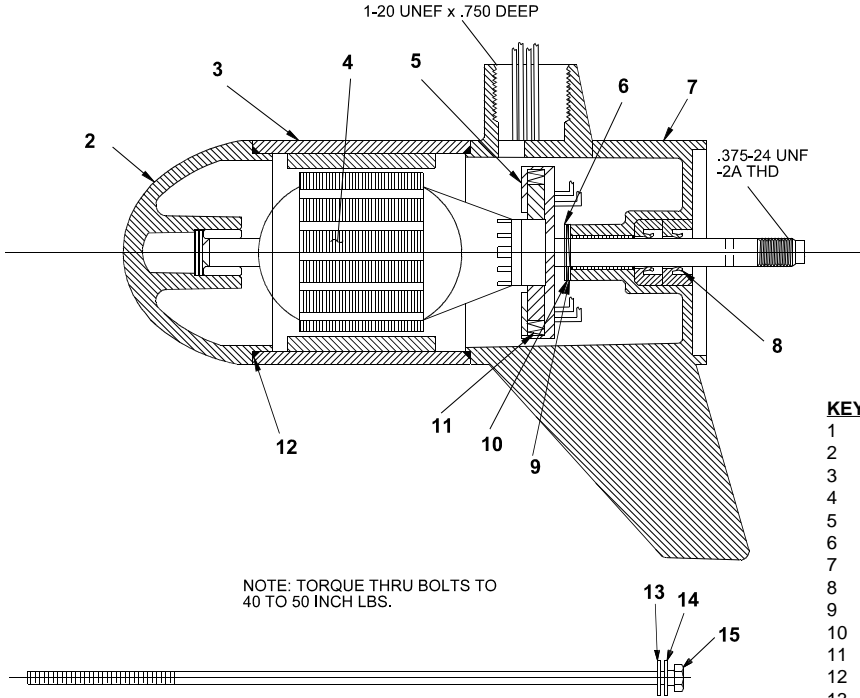
*Returned Goods must be accompanied with a Returned Goods Authorization. Contact MotorGuide Consumer Relations to obtain RGA.*



KEY	DESCRIPTION	PART #
1	ROCKER SWITCH	RT152-01
2	TOP COVER	RT053-04
3	RING CLAMP	FP040-01
4	BOLT	RT134-01
5	NUT	XT098-02
6	T/H BASE BLACK	RT004-01
7	SCREW #8 X 1"	LF141-04
8	BAR KNOB	AR082-02
9	CLAMP WASHER	AR171-01
10	SUPPORT NUT	FR098-01
11	DEPTH COLLAR	AR051-01
12	COLUMN 30"	RT049-05
13	MONOFILAMENT WASHER	AR175-01
14	PROP DRIVE PIN	BR102-01
15	PROP	FF124-06
16	PROP NUT	AR099-01
17	MOTOR	RT397-06
18	BATTERY CABLE	RT328-01

# LOWER UNIT BREAKDOWN

**Model:**  
**ST170**



NOTE: TORQUE THRU BOLTS TO 40 TO 50 INCH LBS.

KEY	QTY	DESCRIPTION	PART NO.
1	X	MOTOR	RT397-06
2	1	NOSE CAP	FF3212-01
3	1	HOUSING ASY	RT3210-01
4	1	ARMATURE 3"	RT3207-01
5	1	BRUSH ASY LESS SPRING	RT3201-01
6	1	E RING	MR219-02
7	1	COMM CAP	RT3205-02
8	2	SHAFT SEAL	MR223-01
9	1	NYLATRON WASHER	MR226-01
10	1	WASHER	MR227-01
11	2	BRUSH SPRINGS	MR214-02
12	2	O RING SEAL	HF217-01
13	4	STATIC SEAL	MR222-01
14	4	THRU BOLT WASHER	MR216-01
15	2	THRU BOLT	MR218-06

## WIRING

