

### SPECIFICATIONS:

|               |              |
|---------------|--------------|
| Year of Intro | 1996         |
| Thrust        | 37LBS        |
| Volts         | 12VDC        |
| Amp Draw      | 0 to 48 amps |
| Mount         | 01 Bow       |
| Speeds        | 5 Forward    |

### QUICK REFERENCE PARTS GUIDE:

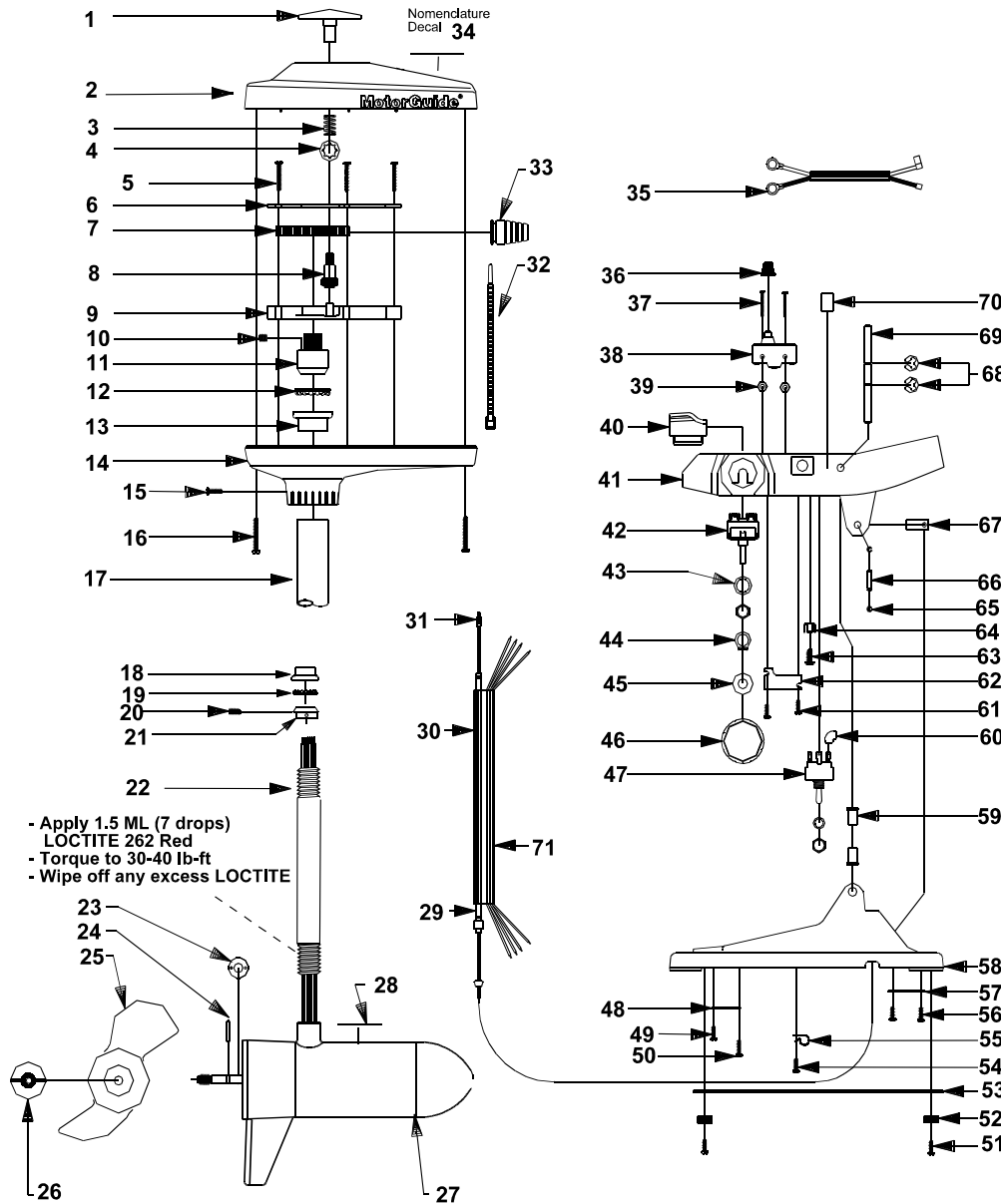
|                  |          |
|------------------|----------|
| Momentary switch | AP151-01 |
| Toggle Switch    | FP153-03 |
| Motor Seal Kit   | 6220     |
| Rotary Switch    | HF150-01 |

### PARTS ORDERING & TECH ASSISTANCE

MotorGuide Consumer Relations  
 Phone 918-831-6989  
 Fax 800-982-8093

**Send Returned Goods to:**  
 MotorGuide  
 605 Hwy 12 West  
 Starkville, MS 39760

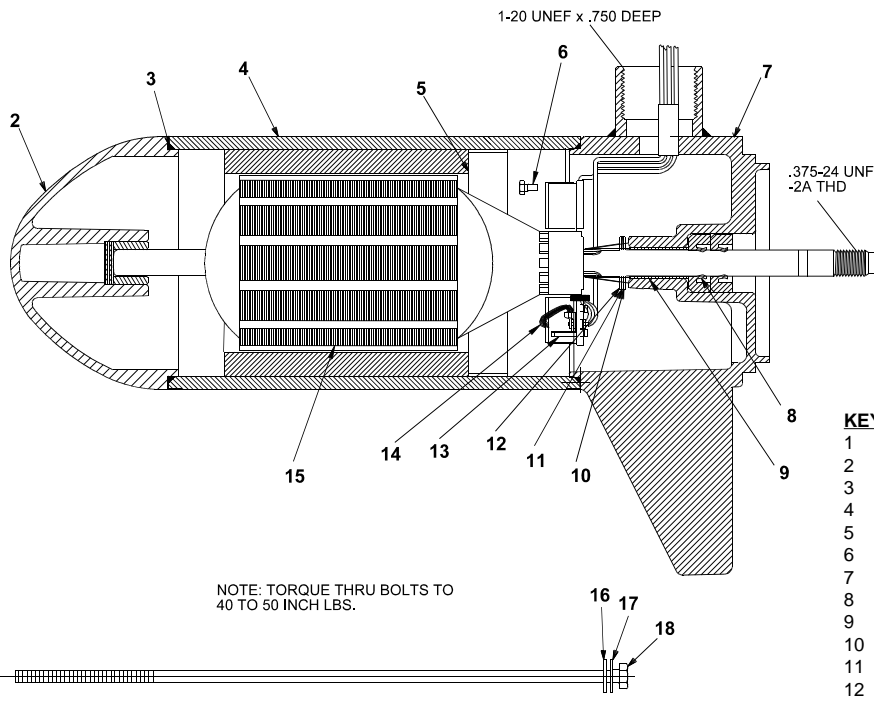
*Returned Goods must be accompanied with a Returned Goods Authorization. Contact MotorGuide Consumer Relations to obtain RGA.*



| KEY | DESCRIPTION                | PART #   | KEY | DESCRIPTION                    | PART #   | KEY | DESCRIPTION               | PART #    |
|-----|----------------------------|----------|-----|--------------------------------|----------|-----|---------------------------|-----------|
| 1   | INDICATOR BLACK            | JF078-03 | 25  | 3 BLADE NINJA PROP             | AF124-10 | 49  | #6 SELF TAP SCREW         | EK135-01  |
| 2   | TOP HOUSING COVER BLACK    | JF053-19 | 26  | PROP NUT                       | AR099-01 | 50  | 6 X 1/2 SCREW             | AF135-01  |
| 3   | COMPRESSION SPRING         | AF014-01 | 27  | LOWER UNIT                     | EF397-03 | 51  | 6 X 1/2 SCREW             | AF135-01  |
| 4   | TINNERMAN CLIP             | AF046-01 | 28  | LOWER UNIT DECAL               | ET060-04 | 52  | FOOT PEDAL PAD            | KP023-01  |
| 5   | #6 RACK GUIDE SCREW        | AF133-01 | 29  | 63" CONTROL CABLE STUD SUB ASY | 9377     | 53  | WEIGHT PLATE ASY          | LP3123-01 |
| 6   | RACK GUIDE COVER           | AF127-01 | 30  | 69" CONTROL CABLE STUD ASY     | 9767     | 54  | 6 X 1/2 SCREW             | AF135-01  |
| 7   | RACK                       | AP125-01 | 31  | 63" CONTROL CABLE ASY          | LP327-06 | 55  | CABLE CLAMP               | KP036-01  |
| 8   | INDICATOR GEAR             | AF069-01 | 32  | 69" 5 SP CONTROL CABLE ASY     | LP327-08 | 56  | SCREWS                    | IR133-01  |
| 9   | RACK GUIDE                 | AF126-01 | 33  | CONTROL CABLE STUD             | AP141-01 | 57  | BATTERY CLAMP             | KP036-02  |
| 10  | 1/4 NUT SET SCREW          | AF142-01 | 34  | CABLE TIE                      | AP030-01 | 58  | FOOT PEDAL BASE           | LP003-01  |
| 11  | NUT-SUB ASY                | AF398-02 | 35  | GROMMET                        | AP071-01 | 59  | SHAFT BUSHING             | KP021-01  |
| 12  | BALL BEARING               | AF005-01 | 36  | NOMENCLATURE                   | EF056-06 | 60  | INSULATING SLEEVE         | AT080-01  |
| 13  | BEARING CUP                | AF007-01 | 37  | BATTERY CABLE ASY              | EP328-04 | 61  | 6 X 1/2 SCREW             | AF135-01  |
| 14  | TOP HOUSING BASE F/O BLACK | JF004-03 | 38  | MICRO SWITCH BOOT              | KP157-01 | 62  | RETAINER PLATE            | LP123-03  |
| 15  | 6 X 5/8 SCREW              | AP133-01 | 39  | #6 32 X 1 1/2 SCREW            | LP135-01 | 63  | #10 X 1/2" SCREW          | GR133-01  |
| 16  | 8 X 1-3/8 SCREW            | AR133-01 | 40  | MICRO SWITCH                   | AP151-01 | 64  | TERMINAL (4PRONG)         | FT160-03  |
| 17  | 36" OUTER TUBE             | AF165-01 | 41  | 6 - 32 NUT S.S                 | SP098-02 | 65  | E RING                    | FP046-01  |
|     | 42/50" OUTER TUBE          | AF165-06 | 42  | MICRO BUTTON                   | LP026-01 | 66  | CABLE PIVOT PIN           | AP105-01  |
| 18  | BEARING CUP                | FM007-01 | 43  | FOOT PEDAL                     | LP101-03 | 67  | CABLE PIVOT               | LP091-01  |
| 19  | BALL BEARING               | FM005-01 | 44  | ROTARY SWITCH                  | HF150-01 | 68  | E RING                    | BK046-01  |
| 20  | SET SCREW                  | AF143-01 | 45  | LOCK WASHER 3/8                | KP171-01 | 69  | FOOT PEDAL ROCKER PIN     | LP102-01  |
| 21  | BEARING CONE               | AF006-01 | 46  | GRIP RING                      | LP046-01 | 70  | CON/MOM/HBP SWITCH DECAL  | LP057-03  |
| 22  | 36" .187 ALUM. F/O COLUMN  | DF049-01 | 47  | NYLON WASHER                   | AK171-02 | 71  | 63" ELECTRIC CABLE JACKET | MM9006-02 |
|     | 42" .187 ALUM. F/O COLUMN  | DF049-02 | 48  | 5 SPEED KNOB                   | LP082-07 |     | 69" ELECTRIC CABLE JACKET | MM9006-03 |
| 23  | MONOFILAMENT WASHER        | AR175-01 |     | TOGGLE SWITCH 3 POSITIONS      | FP153-03 |     |                           |           |
| 24  | PROP DRIVE PIN             | BR102-01 |     | CABLE PLATE                    | KP123-01 |     |                           |           |

# LOWER UNIT BREAKDOWN

**Model:**  
**SF300**



| KEY | QTY | DESCRIPTION           | PART NO.  |
|-----|-----|-----------------------|-----------|
| 1   | X   | MOTOR                 | EF397-03  |
| 2   | 1   | NOSE CAP              | JF3212-01 |
| 3   | 2   | O RING SEAL           | MR217-01  |
| 4   | 1   | HOUSING ASY           | KF3210-01 |
| 5   | 1   | RETAINER              | JF233-01  |
| 6   | 2   | BRUSH CARD SCREW      | MR228-01  |
| 7   | 1   | COMM CAP              | DF3205-01 |
| 8   | 2   | SHAFT SEAL            | MR223-01  |
| 9   | 1   | BEARING               | MR206-01  |
| 10  | 1   | NYLATRON WASHER       | MR226-01  |
| 11  | 1   | WASHER                | MR227-01  |
| 12  | 1   | E RING                | MR219-01  |
| 13  | 2   | BRUSH SPRINGS         | MR214-02  |
| 14  | 1   | BRUSH ASY LESS SPRING | DF3201-01 |
| 15  | 1   | ARMATURE 3.5"         | KF3207-01 |
| 16  | 4   | STATIC SEAL           | MR222-01  |
| 17  | 4   | THRU BOLT WASHER      | MR216-01  |
| 18  | 2   | THRU BOLT             | MR218-01  |

## WIRING

### 12V WIRING DIAGRAM

