

MotorGuide® REPAIR PARTS

Model:
RT40

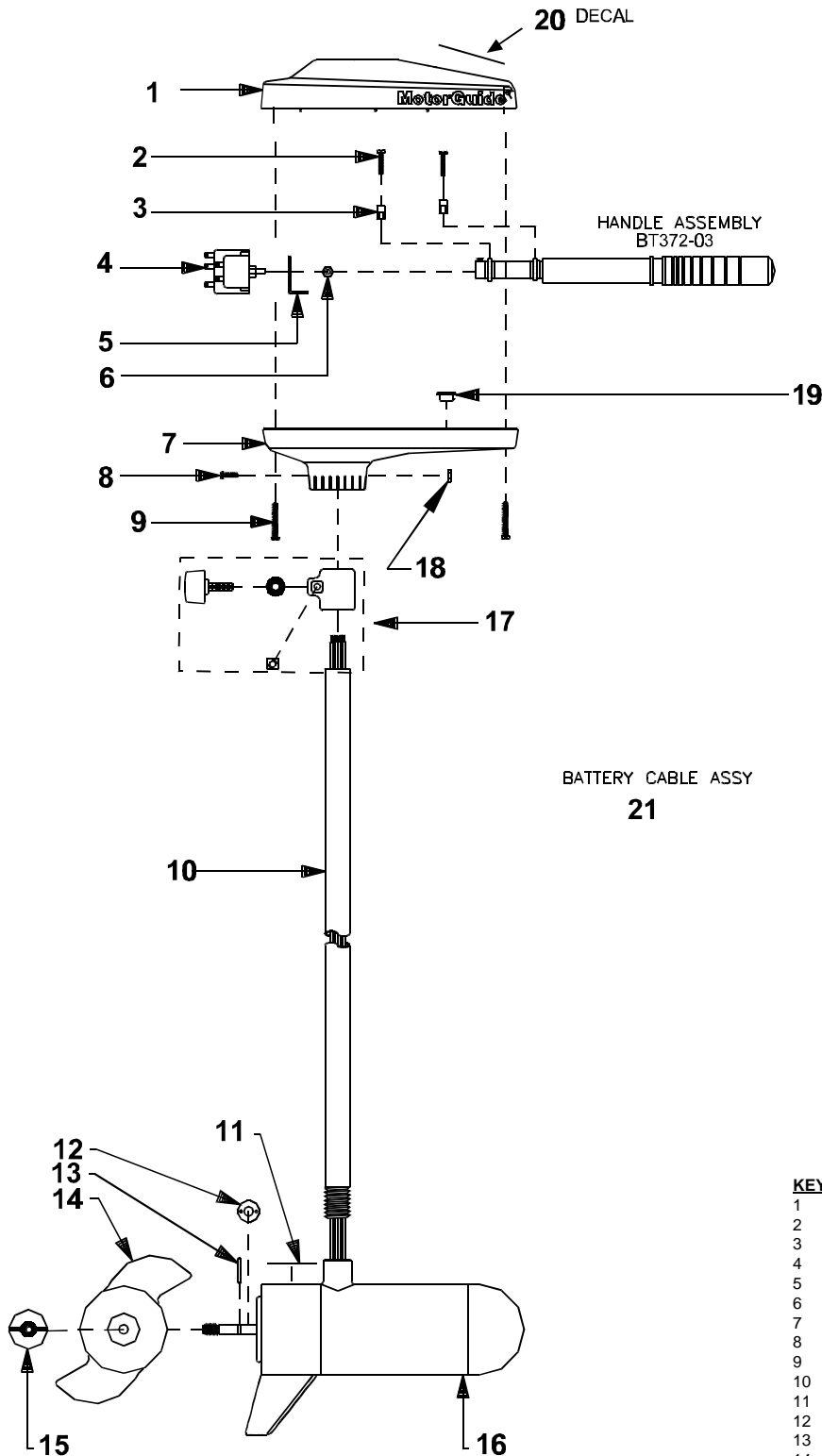
SPECIFICATIONS:

| | |
|----------|--------------|
| Year | 1999 |
| Thrust | 40LBS |
| Volts | 12VDC |
| Amp Draw | 0 to 48 amps |
| Mount | 03 Transom |
| Speeds | 5 For/2 Rev |

PARTS ORDERING & TECH ASSISTANCE

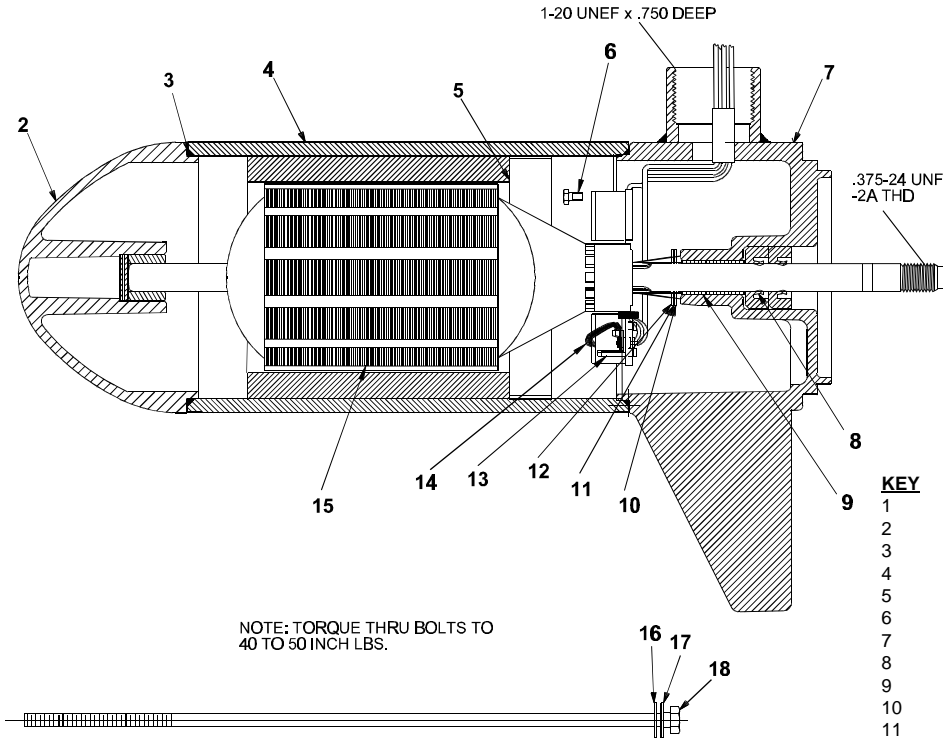
MotorGuide Consumer Relations
Phone 918-831-6989
Fax 800-982-8093

Returned Goods must be accompanied with a Returned Goods Authorization. Contact MotorGuide Consumer Relations to obtain RGA.



| KEY | DESCRIPTION | PART # |
|-----|---------------------|----------|
| 1 | COVER BLACK | FR053-11 |
| 2 | 8x1 3/8 SCREW | AR133-01 |
| 3 | RETAINER CLAMP | AR036-01 |
| 4 | ROTARY SWITCH | KT150-01 |
| 5 | BRACKET | AT155-02 |
| 6 | NUT | AT098-01 |
| 7 | T/H BASE BLACK | FR004-06 |
| 8 | 1/4X20 HEX HEAD | XT134-02 |
| 9 | 8X 1 3/8 SCREW | AR133-01 |
| 10 | H/O COLUMN | TT049-05 |
| 11 | LOWER UNIT DECAL | ET060-04 |
| 12 | MONOFILAMENT WASHER | AR175-01 |
| 13 | PROP DRIVE PIN | BR102-01 |
| 14 | PROP/ 2 BLADE | AF124-06 |
| 15 | PROP NUT | AR099-01 |
| 16 | MOTOR | ET397-01 |
| 17 | DEPTH COLLAR ASSY | AR158-01 |
| 18 | NYLON LOCK NUT | XT098-02 |
| 19 | GROMMET | GR019-03 |
| 20 | DECAL | CT053-20 |
| 21 | BATTERY CABLE ASSY | TT328-03 |

LOWER UNIT BREAKDOWN



| KEY | QTY | DESCRIPTION | PART NO. |
|-----|-----|-----------------------|-----------|
| 1 | X | MOTOR | ET397-01 |
| 2 | 1 | NOSE CAP | JF3212-01 |
| 3 | 2 | O RING SEAL | MR217-01 |
| 4 | 1 | HOUSING ASY | ET3210-01 |
| 5 | 1 | RETAINER | JF233-01 |
| 6 | 2 | BRUSH CARD SCREW | MR228-01 |
| 7 | 1 | COMM CAP | ET3205-01 |
| 8 | 2 | SHAFT SEAL | MR223-01 |
| 9 | 1 | BEARING | MR206-01 |
| 10 | 1 | NYLATRON WASHER | MR226-01 |
| 11 | 1 | WASHER | MR227-01 |
| 12 | 1 | E RING | MR219-01 |
| 13 | 2 | BRUSH SPRINGS | MR214-02 |
| 14 | 1 | BRUSH ASY LESS SPRING | DF3201-01 |
| 15 | 1 | ARMATURE 3.5" | KF3207-01 |
| 16 | 4 | STATIC SEAL | MR222-01 |
| 17 | 4 | THRU BOLT WASHER | MR216-01 |
| 18 | 2 | THRU BOLT | MR218-01 |

WIRING

