

MotorGuide® REPAIR PARTS

Model:
RT35

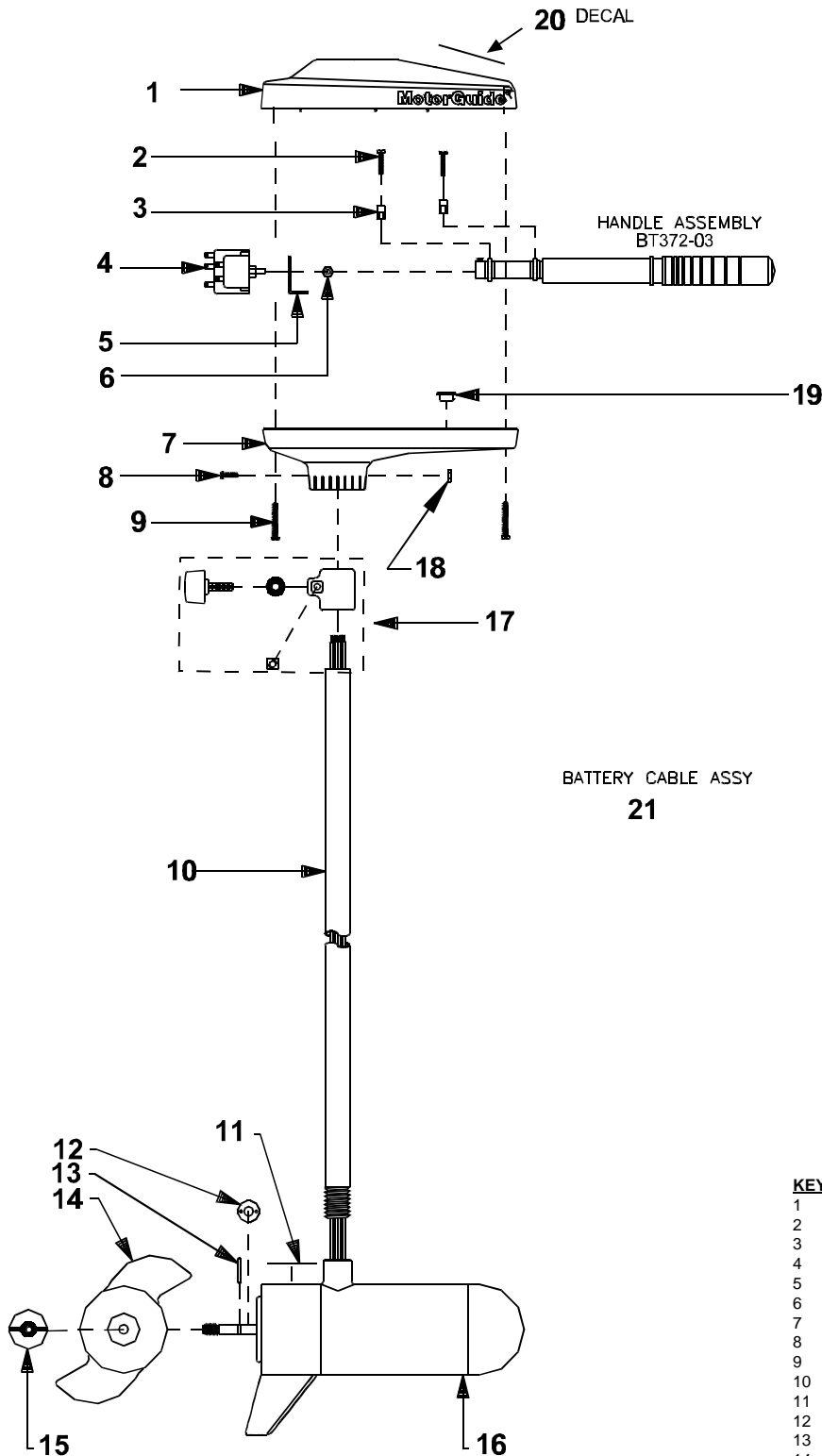
SPECIFICATIONS:

Year	1999
Thrust	35LBS
Volts	12VDC
Amp Draw	0 to 48 amps
Mount	03 Transom
Speeds	5 For/2 Rev

PARTS ORDERING & TECH ASSISTANCE

MotorGuide Consumer Relations
Phone 918-831-6989
Fax 800-982-8093

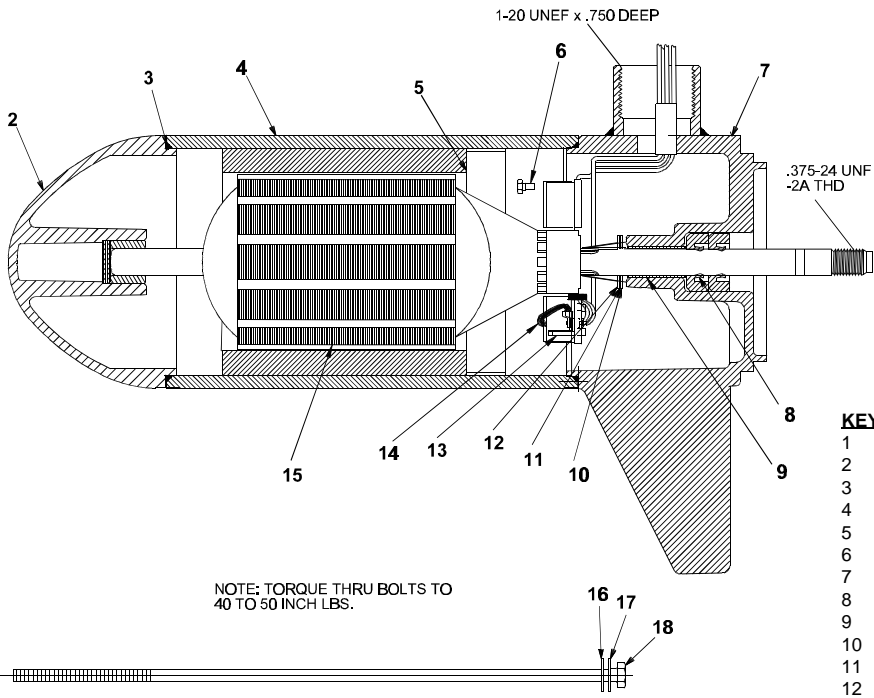
Returned Goods must be accompanied with a Returned Goods Authorization. Contact MotorGuide Consumer Relations to obtain RGA.



KEY	DESCRIPTION	PART #
1	COVER BLACK	FR053-11
2	8x1 3/8 SCREW	AR133-01
3	RETAINER CLAMP	AR036-01
4	ROTARY SWITCH	KT150-01
5	BRACKET	AT155-02
6	NUT	AT098-01
7	T/H BASE BLACK	FR004-06
8	1/4X20 HEX HEAD	XT134-02
9	8X 1 3/8 SCREW	AR133-01
10	H/O COLUMN	TT049-05
11	LOWER UNIT DECAL	ET060-04
12	MONOFILAMENT WASHER	AR175-01
13	PROP DRIVE PIN	BR102-01
14	PROP/ 2 BLADE	AF124-06
15	PROP NUT	AR099-01
16	MOTOR	PF397-01
17	DEPTH COLLAR ASSY	AR158-01
18	NYLON LOCK NUT	XT098-02
19	GROMMET	GR019-03
20	DECAL	PT053-20
21	BATTERY CABLE ASSY	TT328-03

LOWER UNIT BREAKDOWN

Model:
RT35



NOTE: TORQUE THRU BOLTS TO 40 TO 50 INCH LBS.

KEY	QTY	DESCRIPTION	PART NO.
1	X	MOTOR	PF397-01
2	1	NOSE CAP	JF3212-01
3	2	O RING SEAL	MR217-01
4	1	HOUSING ASY	PF3210-01
5	1	RETAINER	JF233-01
6	2	BRUSH CARD SCREW	MR228-01
7	1	COMM CAP	ET3205-01
8	2	SHAFT SEAL	MR223-01
9	1	BEARING	MR206-01
10	1	NYLATRON WASHER	MR226-01
11	1	WASHER	MR227-01
12	1	E RING	MR219-02
13	2	BRUSH SPRINGS	MR214-02
14	1	BRUSH ASY LESS SPRING	DF3201-01
15	1	ARMATURE 3.5"	PF3207-01
16	4	STATIC SEAL	MR222-01
17	4	THRU BOLT WASHER	MR216-01
18	2	THRU BOLT	MR218-14

WIRING

