

Models:

L320RF

SPECIFICATIONS:

Year of Intro	1994
Thrust	37LBS
Volts	12VDC
Amp Draw	0 to 48 amps
Mount	01 Bow
Speeds	Variable

QUICK REFERENCE PARTS GUIDE:

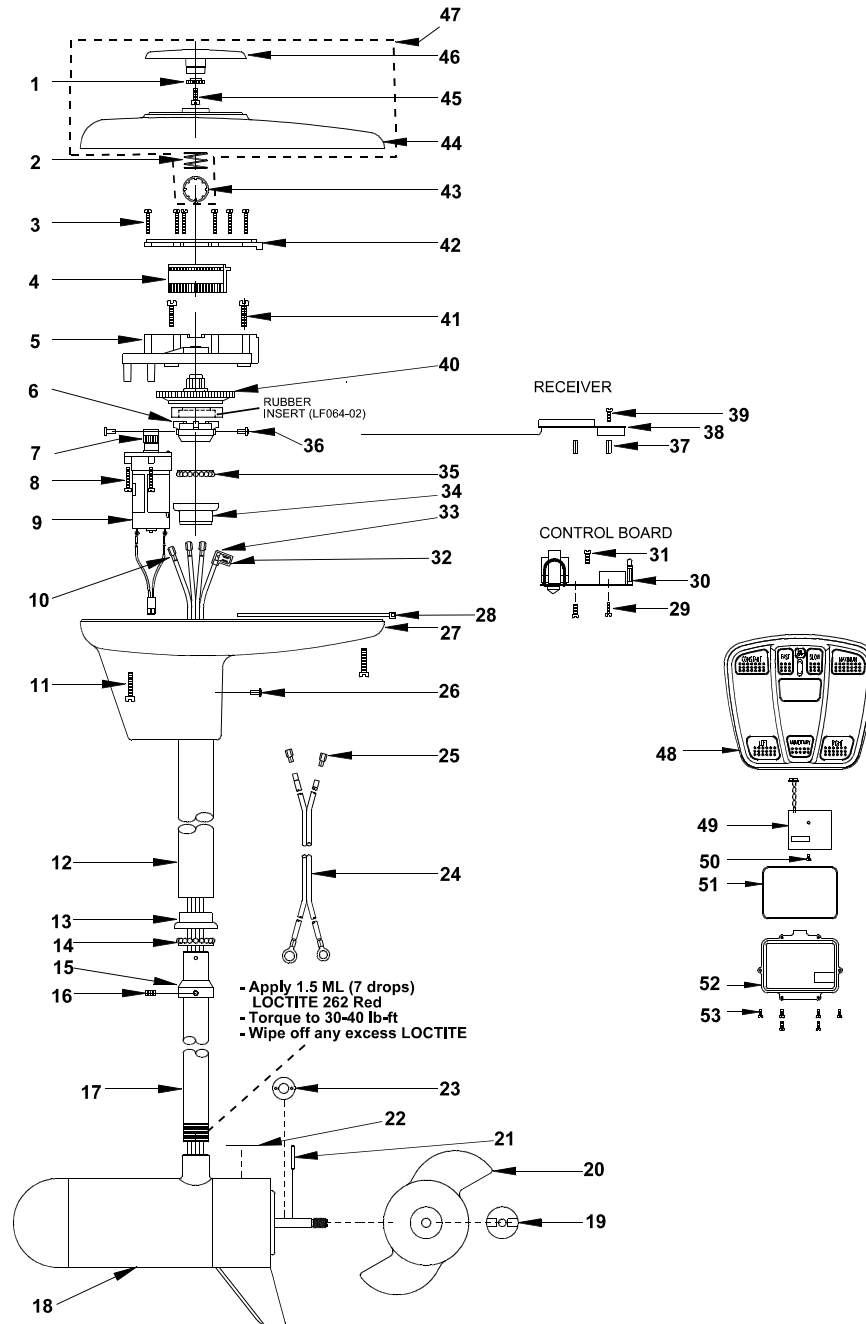
MOSFET	JF096-08
Motor Seal Kit	6220
Transmitter	NP169-01

PARTS ORDERING & TECH ASSISTANCE

MotorGuide Consumer Relations
 Phone 918-831-6989
 Fax 800-982-8093

Send Returned Goods to:
 MotorGuide
 605 Hwy 12 West
 Starkville, MS 39760

Returned Goods must be accompanied with a Returned Goods Authorization. Contact MotorGuide Consumer Relations to obtain RGA.



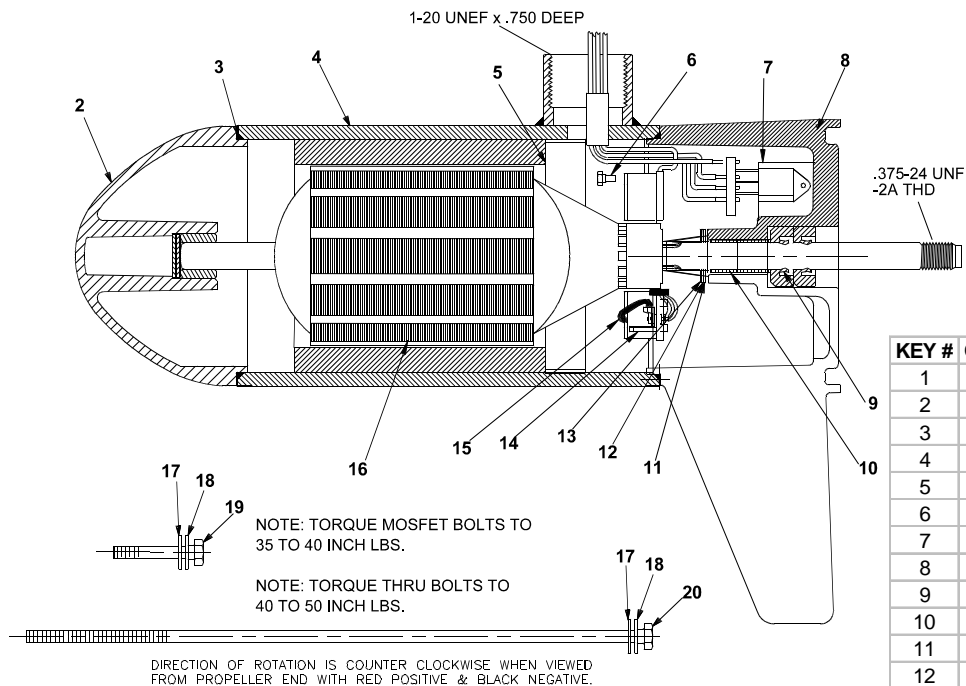
KEY#	PART#	DESCRIPTION	KEY#	PART#	DESCRIPTION	KEY#	PART#	DESCRIPTION
1	LF069-04	LAZER GEAR/INDICATOR	18	KF397-04	F/O MOTOR	38	LF170-01	RECEIVER
2	LF014-01	SPRING/INDICATOR	19	AR099-01	PROP NUT	39	IR133-01	SELF TAPPING SCREW
3	LF141-02	SCREW #4 X 7/8	20	AF124-05	3.5 NINJA 2 BLADE PROP	40	LF69-08	LARGE PINION GEAR
4	LF125-01	RACK	21	BR102-01	PROP DRIVE PIN	41	LF141-03	SCREW #8X3/4
5	LF126-01	RACK GUIDE	22	LF060-04	LOWER UNIT DECAL LAZER	42	LF127-01	RACK GUIDE COVER
6	LF064-01	COLUMN COUPLER	23	RK171-01	NYLON WASHER .125" THICK	43	LF098-01	TINNERMAN CLIP
7	LF068-03	PINION GEAR	24	LF328-01	BATTERY CABLE ASY	44	LF053-29	LAZER GENERIC TH COVER
8	LF141-02	SCREW #4 X 7/8	25	PM160-01	TERMINAL	45	LF141-06	SCREW #6X1/2 PLASTIC
9	LF3126-01	DRIVE MOTOR ASSY 12V	26	LF111-02	POP RIVET .126-.187 D6	46	LF078-09	LAZER INDICATOR
10	PM160-01	TERMINAL	27	LF004-03	T/H BASE	47	LF053-29	LAZER TH COVER ASSY
11	LF141-04	SCREW #8 X 1"	28	AF030-01	CABLE TIE	48	NP300-05	LAZER PEDAL ASY
12	AF165-06	(46") OUTER TUBE	29	AF141-01	SCREW, SELF TAPPING	49	NP157-01	TRANSMITTER
13	AF165-07	(30") OUTER TUBE	30	LF157-01	LAZER 12V ES/RF BOARD	50	NP133-01	SCREW
14	AF165-08	(36") OUTER TUBE	31	AF141-01	SELF TAPPING SCREW	51	NP063-02	GASKET ORING
15	AF165-01	(13") OUTER TUBE	32	BR161-03	20-14 FLAG TERM/STRIP G2	52	NP053-03	BATTERY DOOR
16	AF007-01	RETAINER/ BEARING CUP	33	AT080-01	INSULATING SLEEVE	53	AF135-01	SCREW
17	LF049-03	36" SS COLUMN	34	FM007-01	BEARING CUP			
	LF049-04	42" SS COLUMN	35	FM005-01	BALL BEARING			
	LF049-05	50" SS COLUMN	36	LF111-01	POP RIVET .376-.500 D6			
			37	LF102-03	STANDOFF			

PARTS NOT ILLUSTRATED

LF056-06 TOP HOUSING DECAL

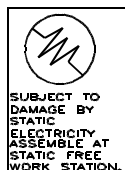
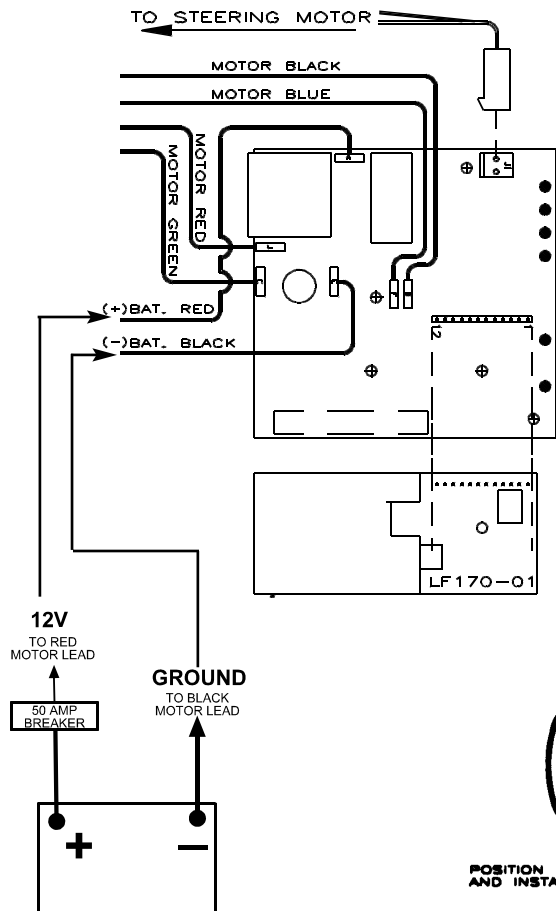
LOWER UNIT BREAKDOWN

Models:
L320RF



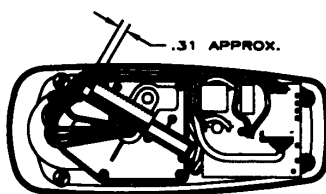
KEY #	QTY	DESCRIPTION	PART NO.
1	X	MOTOR	KF397-04
2	1	NOSE CAP	JF3212-01
3	2	O RING SEAL	MR217-01
4	1	HOUSING ASSY	KF3210-01
5	1	RETAINER	JF233-01
6	2	BRUSH CARD SCREW	MR228-01
7	1	DURA AMP MODULE	JF096-08
8	1	COMM CAP	JF3205-04
9	2	SHAFT SEAL	MR223-01
10	1	BEARING	MR206-01
11	1	NYLATRON WASHER	MR226-01
12	1	WASHER	MR227-01
13	1	E RING	MR219-01
14	2	BRUSH SPRINGS	MR214-02
15	1	BRUSH ASSY LESS SPRING	JF3201-04
16	1	ARMATURE 3.5"	KF3207-01
17	4	STATIC SEAL	MR222-01
18	4	THRU BOLT WASHER	MR216-01
19	2	DURA AMP SCREW	MR229-01
20	2	THRU BOLT	MR218-01

WIRING



Lubricate wire exiting pinion with non washout grease and bend wires flat to clear indicator gear teeth.

Battery cable leads to be bent at 90 degrees. Leads must be at or below top of Control electronics board.



RACK INSTALLATION

POSITION MOTOR IN LINE WITH TOP HOUSING (SEE BELOW) AND INSTALL RACK APPROX. 5/16 FROM END OF TRAVEL

