

MotorGuide® REPAIR PARTS

Models: **Great White**

GWB36 GWT36

SPECIFICATIONS:

Year of Intro	1998
Thrust	36LBS
Volts	12VDC
Amp Draw	0 to 48 amps
Mount	03 Transom
	15 Bow
Speeds	5/2

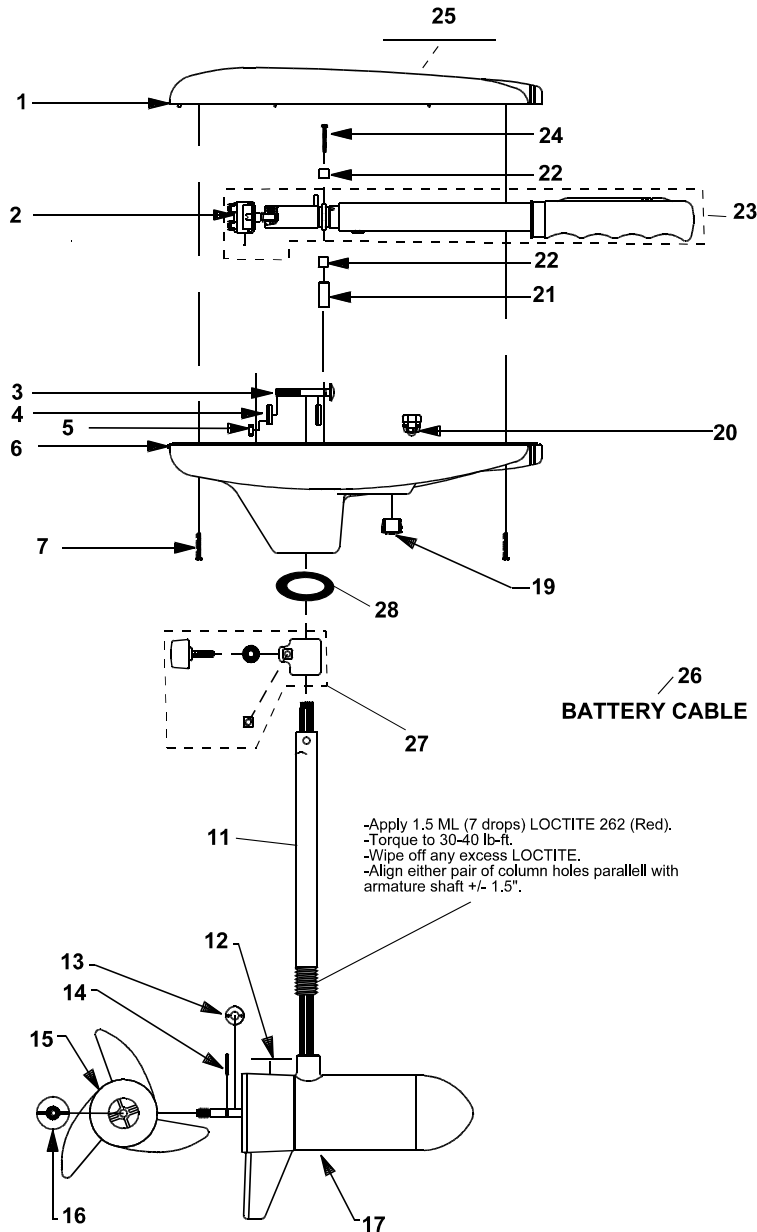
QUICK REFERENCE PARTS GUIDE:

Handle Asy	BT372-08
Motor Seal Kit	6220
Rotary Switch	KT150-02

PARTS ORDERING & TECH ASSISTANCE

MotorGuide Consumer Relations
Phone 918-831-6989
Fax 800-982-8093

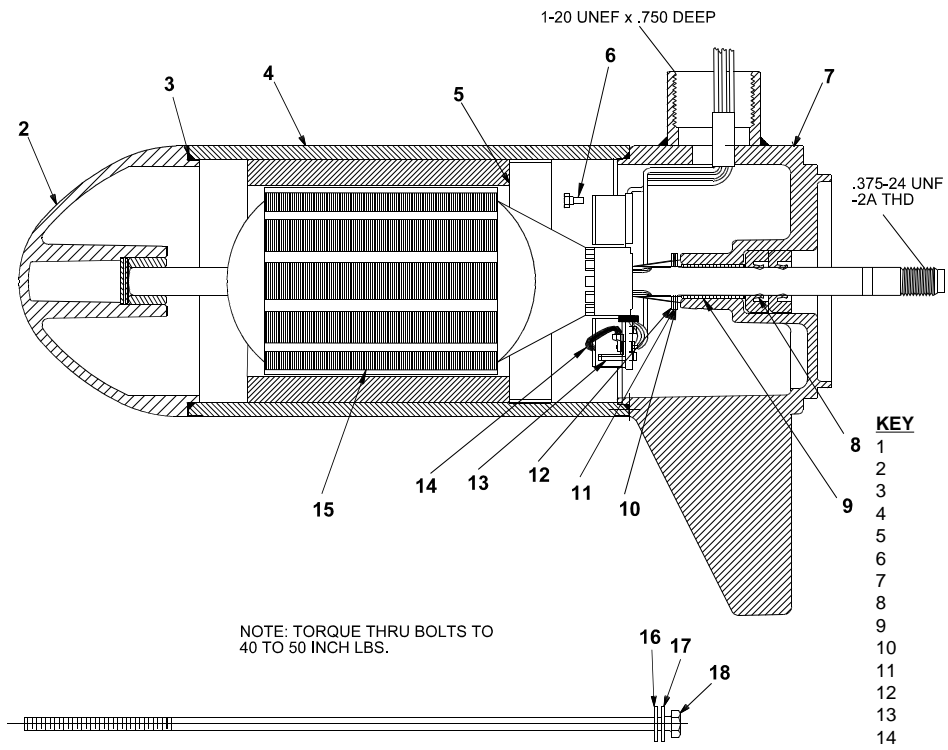
Returned Goods must be accompanied with a Returned Goods Authorization. Contact MotorGuide Consumer Relations to obtain RGA.



KEY	DESCRIPTION	PART #	KEY	DESCRIPTION	PART #
1	COVER	XT053-35	16	PROP NUT	AR099-01
2	ROTARY SWITCH	KT150-02	17	MOTOR	PF397-03
3	BOLT	TT134-02	18	DEPTH ADJUSTMENT COLLAR	AR051-02
4	CURVED WASHER	TT171-08	19	1/2" HOLE PLUG	FP021-03
5	NYLON LOCK NUT	XT098-02	20	GROMMET	GR019-03
6	T/H BASE	AR004-13	21	WIRE BRACKET	AT155-04
7	SCREW #8 X 1"	XF141-04	22	RETAINER CLAMP	AR036-01
8	BAR KNOB	RT082-02	23	5 SPEED HANDLE ASY 96-97	BT372-08
9	CLAMP WASHER	RT171-02	24	8 X 1-3/8 SCREW	RT133-01
10	SUPPORT NUT	AR098-01	25	NOMENCLATURE GWB36	XT056-30
11	42" .095 SS H/O COLUMN	FR049-15		NOMENCLATURE GWT36	XT056-28
12	MARINE LOWER UNIT DECAL	XT060-04	26	BATTERY CABLE	XT328-04
13	MONOFILAMENT WASHER	AR175-01	27	DEPTH COLLAR ASY	XT158-01
14	PROP DRIVE PIN	BR102-01	28	COLUMN SEAL	AT079-01
15	PROP/ 3 BLADE	AF124-10			

LOWER UNIT BREAKDOWN

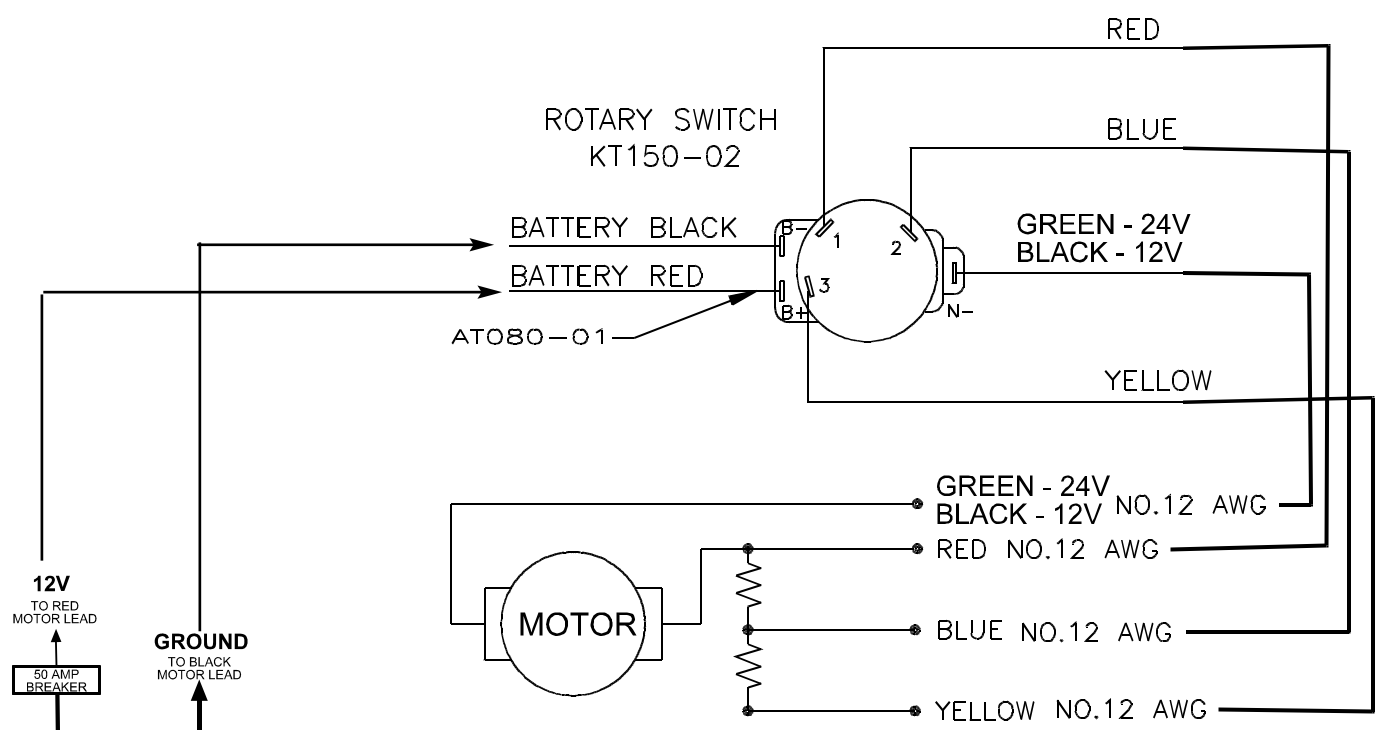
Models:
GWB36
GWT36



NOTE: TORQUE THRU BOLTS TO 40 TO 50 INCH LBS.

KEY	QTY	DESCRIPTION	PART NO.
1	X	MOTOR	PF397-03
2	1	NOSE CAP	JF3212-02
3	2	O RING SEAL	MR217-01
4	1	HOUSING ASY	JF3210-02
5	1	RETAINER	PF233-01
6	2	BRUSH CARD SCREW	MR228-01
7	1	COMM CAP	PF3205-02
8	2	SHAFT SEAL	MR223-01
9	1	BEARING	MR206-01
10	1	NYLATRON WASHER	MR226-01
11	1	WASHER	MR227-01
12	1	E RING	MR219-01
13	2	BRUSH SPRINGS	MR214-02
14	1	BRUSH ASY LESS SPRING	SM3201-01
15	1	ARMATURE	PF3207-01
16	4	STATIC SEAL	MR222-01
17	4	THRU BOLT WASHER	MR216-01
18	2	THRU BOLT	MR218-14

WIRING



WIRING DIAGRAM

DIRECTION OF ROTATION IS COUNTER CLOCKWISE WHEN VIEWED FROM PROPELLER END WITH RED POSITIVE & BLACK NEGATIVE.