

# GW67RF GW62AG

### SPECIFICATIONS:

Year of Intro	1998
Thrust	62LBS
Volts	24VDC
Amp Draw	0 to 33 amps
Mount	20 Bow
Speeds	Variable

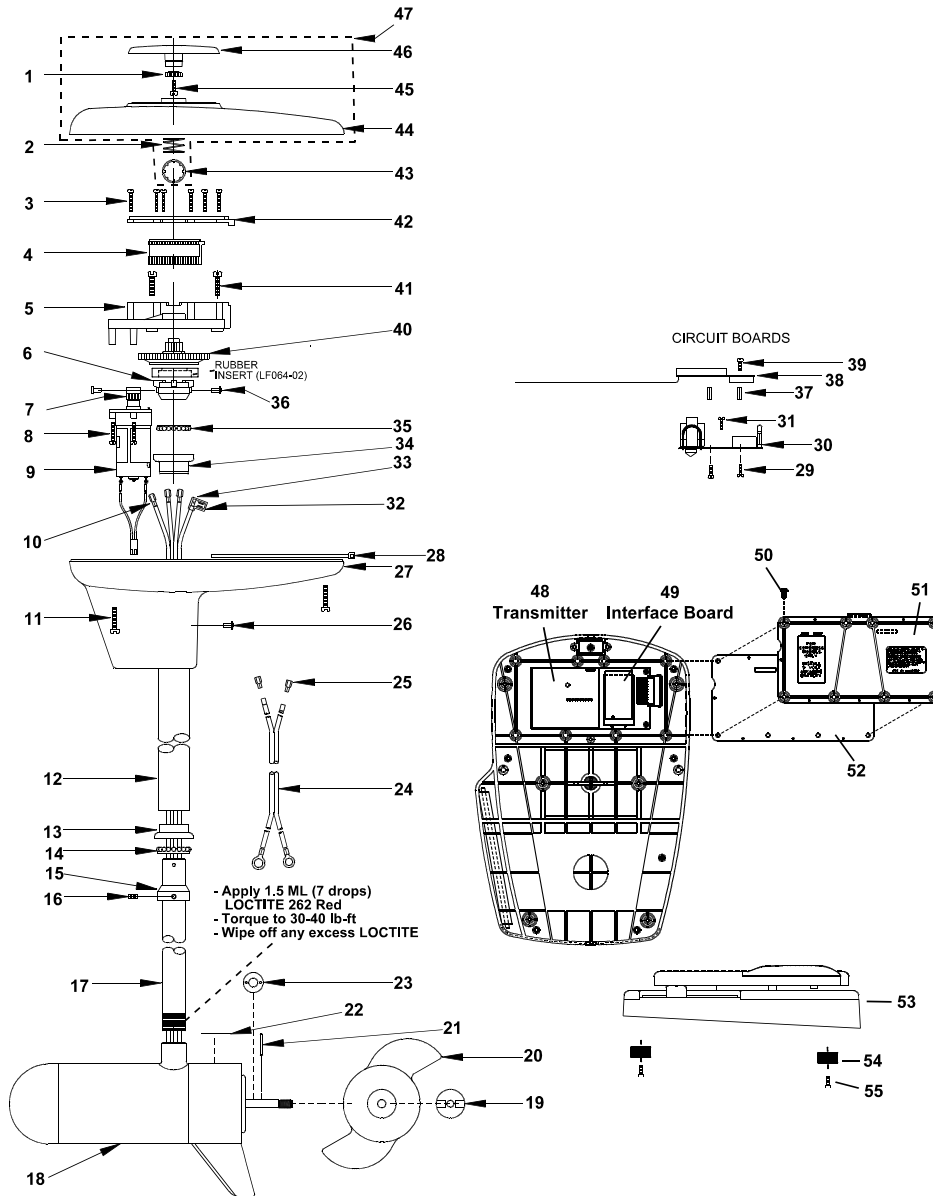
### QUICK REFERENCE PARTS GUIDE:

MOSFET	JF096-08
Motor Seal Kit	6220
Transmitter	NP169-02

### PARTS ORDERING & TECH ASSISTANCE

MotorGuide Consumer Relations  
Phone 918-831-6989  
Fax 800-982-8093

*Returned Goods must be accompanied with a Returned Goods Authorization. Contact MotorGuide Consumer Relations to obtain RGA.*



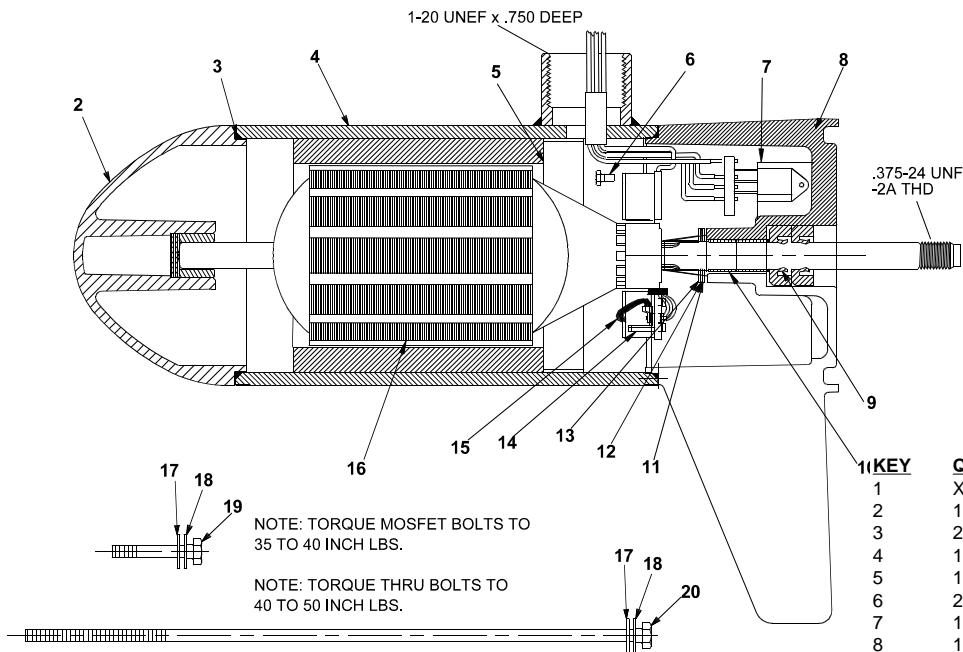
KEY#	PART#	DESCRIPTION	KEY#	PART#	DESCRIPTION	KEY#	PART#	DESCRIPTION	
1	LF069-05	LAZER GEAR/INDICATOR	22	XT060-04	LOWER UNIT DECAL LAZER	47	LF053-11	LAZER II COVER ASY	
2	LF014-01	SPRING/INDICATOR	23	RK171-01	NYLON WASHER .125" THICK	48	LF053-38	AUTOGUIDE COVER ASY	
3	XF141-02	SCREW #4 X 7/8	24	LF328-02	BATTERY CABLE ASY	49	NP169-02	TRANSMITTER	
4	LF125-01	RACK	25	PM160-01	TERMINAL	50	NP157-03	LAZER II INTERFACE BD RF	
5	LF126-01	RACK GUIDE	26	LF111-02	POP RIVET .126-.187 D6	51	NP157-05	AUTOGUIDE INTERFACE BOARD RF	
6	LF064-01	COLUMN COUPLER	27	LF004-06	T/H BASE	52	XF141-06	#6X32X7/16 SCREW	
7	LF068-03	PINION GEAR	28	AF030-01	CABLE TIE	53	NP012-01	LAZER II BATTERY DOOR	
8	XF141-02	SCREW #4 X 7/8	29	XT141-01	SCREW, SELF TAPPING	54	NP079-02	LAZER II DOOR GASKET	
9	LF3126-02	DRIVE MOTOR ASSY 24V	30	LF157-02	LAZER II ES/RF BOARD	55	NP300-12	LAZER II PEDAL ASY	
10	PM160-01	TERMINAL	31	XT141-01	SELF TAPPING SCREW		NP300-16	AUTOGUIDE RF PEDAL ASY	
11	XF141-04	SCREW #8 X 1"	32	BR161-03	20-14 FLAG TERMI/STRIP G2		54	XP023-01	FOOT PEDAL PADS
12	AF165-06	(46") OUTER TUBE	33	AT080-01	INSULATING SLEEVE		55	XF135-01	SCREW, PAD
	AF165-07	(30") OUTER TUBE	34	FM007-01	BEARING CUP				
	AF165-08	(36") OUTER TUBE	35	XF005-01	BALL BEARING				
	AF165-01	(13") OUTER TUBE	36	LF111-01	POP RIVET .376-.500 D6				
13	FM007-01	RETAINER/ BEARING CUP	37	LF102-03	STANDOFF				
14	XF005-01	BEARING	38	LF170-01	RECEIVER				
15	FM006-02	RETAINER/BEARING	39	XT141-01	SELF TAPPING SCREW				
16	FM142-01	SET SCREW	40	LF069-08	COLUMN GEAR/POWDER MET				
17	LF049-03	36" SS COLUMN	41	XF141-03	SCREW #8X3/4				
	LF049-04	42" SS COLUMN	42	LF127-01	RACK GUIDE COVER				
	LF049-05	50" SS COLUMN	43	LF098-01	TINNERMAN CLIP				
	LF049-08	54" SS COLUMN	44	LF053-11	LAZER II GENERIC T/H COVER				
	LF049-09	60" SS COLUMN	45	LF053-38	AUTOGUIDE GENERIC T/H COVER				
18	UF397-03	62 # F/O MOTOR	46	LF141-06	SCREW #6X1/2 PLASTIC				
19	AR099-01	PROP NUT		LF078-06	LAZER INDICATOR				
20	AF124-07	3.5 NINJA 2 BLADE PROP							
21	BR102-01	PROP DRIVE PIN							

### PARTS NOT ILLUSTRATED

LF078-02	RAISED SECONDARY INDICATOR
LF141-01	SCREW, SECONDARY INDICATOR
LF057-01	INDICATOR DECAL
LF056-27	TOP HOUSING DECAL
LF056-23	GW62AG TOP HOUSING DECAL

# LOWER UNIT BREAKDOWN

Models:  
**GW62RF**  
**GW62AG**



DIRECTION OF ROTATION IS COUNTER CLOCKWISE WHEN VIEWED FROM PROPELLER END WITH RED POSITIVE & BLACK NEGATIVE.

KEY	QTY	DESCRIPTION	PART NO.
1	X	MOTOR	UF397-03
2	1	NOSE CAP	JF3212-02
3	2	O RING SEAL	MR217-01
4	1	HOUSING ASY	UF3210-02
5	1	RETAINER	JF233-01
6	2	BRUSH CARD SCREW	MR228-01
7	1	DURA AMP MODULE	JF096-08
8	1	COMM CAP	UF3205-02
9	2	SHAFT SEAL	MR223-01
10	1	BEARING	MR206-01
11	1	NYLATRON WASHER	MR226-01
12	1	WASHER	MR227-01
13	1	E RING	MR219-01
14	2	BRUSH SPRINGS	MR214-02
15	1	BRUSH ASY LESS SPRING	JF3201-05
16	1	ARMATURE	UF3207-01
17	4	STATIC SEAL	MR222-01
18	4	THRU BOLT WASHER	MR216-02
19	2	DURA AMP SCREW	MR229-02
20	2	THRU BOLT	MR218-03

## WIRING

