

MotorGuide® REPAIR PARTS

Models:
GW50RF

SPECIFICATIONS:

Year of Intro 1996
Thrust 55LBS
Volts 24VDC
Amp Draw 0 to 33 amps
Mount 20 Bow
Speeds Variable

QUICK REFERENCE PARTS GUIDE:

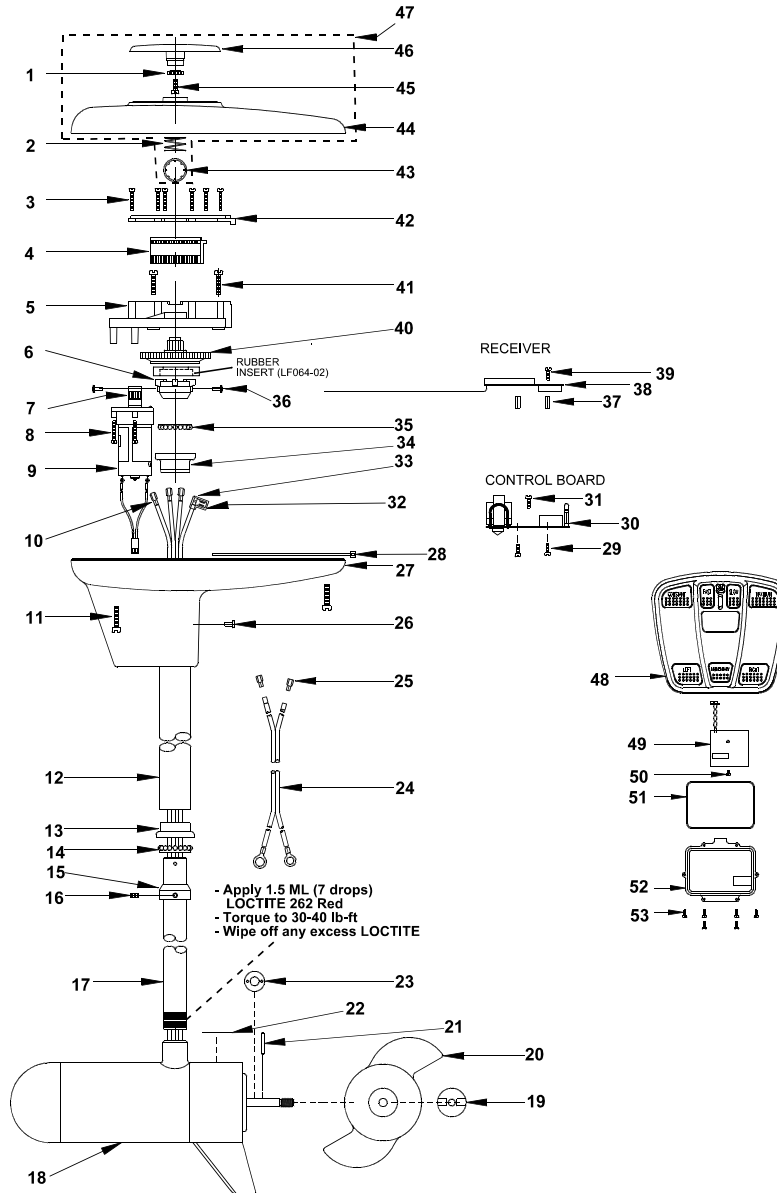
MOSFET JF096-08
Motor Seal Kit 6220
Transmitter NP169-01

PARTS ORDERING & TECH ASSISTANCE

MotorGuide Consumer Relations
Phone 918-831-6989
Fax 800-982-8093

Send Returned Goods to:
MotorGuide
605 Hwy 12 West
Starkville, MS 39760

Returned Goods must be accompanied with a Returned Goods Authorization. Contact MotorGuide Consumer Relations to obtain RGA.



KEY#	PART#	DESCRIPTION
1	LF078-06	LAZER GEAR/INDICATOR
2	LF014-01	SPRING/INDICATOR
3	LF141-02	SCREW #4 X 7/8
4	LF125-01	RACK
5	LF126-01	RACK GUIDE
6	LF064-01	COLUMN COUPLER
7	LF068-03	PINION GEAR
8	LF141-02	SCREW #4 X 7/8
9	LF3126-02	DRIVE MOTOR ASSY 24V
10	PM160-01	TERMINAL
11	XF141-04	SCREW #8 X 1"
12	AF165-06	(46") OUTER TUBE
	AF165-07	(30") OUTER TUBE
	AF165-08	(36") OUTER TUBE
	AF165-01	(13") OUTER TUBE
13	AF007-01	RETAINER/ BEARING CUP
14	AF005-01	BEARING
15	AF006-01	RETAINER/BEARING
16	AF143-01	SET SCREW
17	LF049-03	36" SS COLUMN
	LF049-04	42" SS COLUMN
	LF049-05	50" SS COLUMN

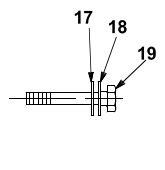
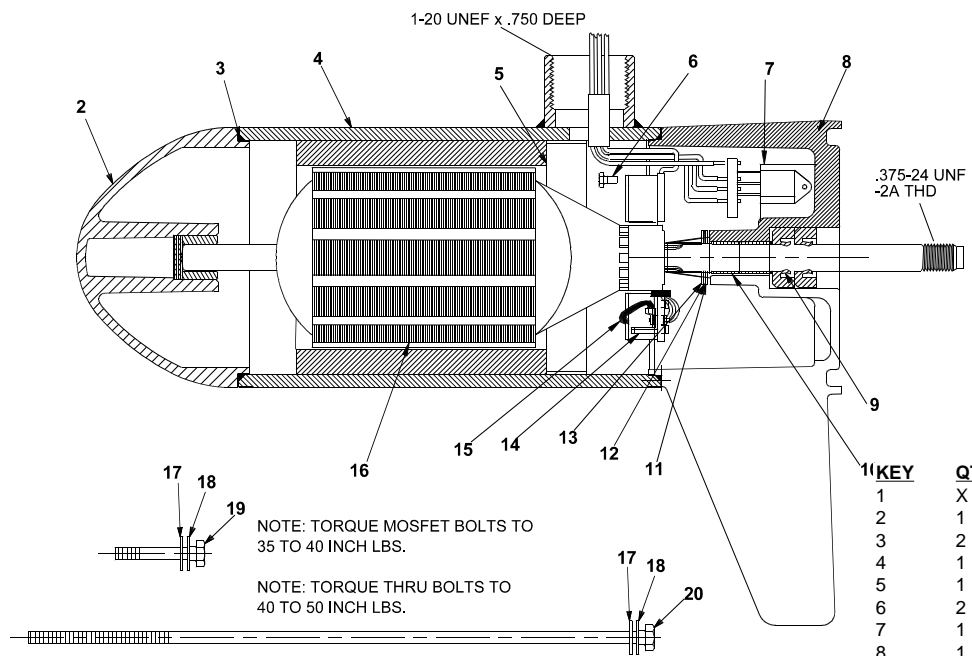
KEY#	PART#	DESCRIPTION
	LF049-08	54" SS COLUMN
	LF049-09	60" SS COLUMN
18	JF397-14	F/O MOTOR
19	AR099-01	PROP NUT
20	AF124-05	3.5 NINJA 2 BLADE PROP
21	BR102-01	PROP DRIVE PIN
22	LF060-04	LOWER UNIT DECAL LAZER
23	RK171-01	NYLON WASHER .125" THICK
24	LF328-01	BATTERY CABLE ASY
25	PM160-01	TERMINAL
26	LF111-02	POP RIVET .126-.187 D6
27	LF004-03	T/H BASE
28	AF030-01	CABLE TIE
29	XT141-01	SCREW, SELF TAPPING
30	LF157-02	LAZER 24V ES/RF BOARD
31	XF141-01	SELF TAPPING SCREW
32	BR161-03	20-14 FLAG TERM/STRIP G2
33	AT080-01	INSULATING SLEEVE
34	FM007-01	BEARING CUP
35	FM005-01	BALL BEARING
36	LF111-01	POP RIVET .376-.500 D6
37	LF102-03	STANDOFF

KEY#	PART#	DESCRIPTION
38	LF170-01	RECEIVER
39	IR133-01	SELF TAPPING SCREW
40	LF69-08	LARGE PINION GEAR
41	LF141-03	SCREW #8X3/4
42	LF127-01	RACK GUIDE COVER
43	LF098-01	TINNERMAN CLIP
44	LF053-11	LAZER GENERIC T/H COVER
45	LF141-06	SCREW #6X1/2 PLASTIC
46	LF078-09	LAZER INDICATOR
47	LF053-11	LAZER T/H COVER ASSY
48	NP300-06	LAZER PEDAL ASY
49	NP157-01	TRANSMITTER
50	NP133-01	SCREW
51	NP063-02	GASKET ORING
52	NP053-06	BATTERY DOOR
53	AF135-01	SCREW

PARTS NOT ILLUSTRATED
LF056-12 TOP HOUSING DECAL

LOWER UNIT BREAKDOWN

Models:
GW50RF



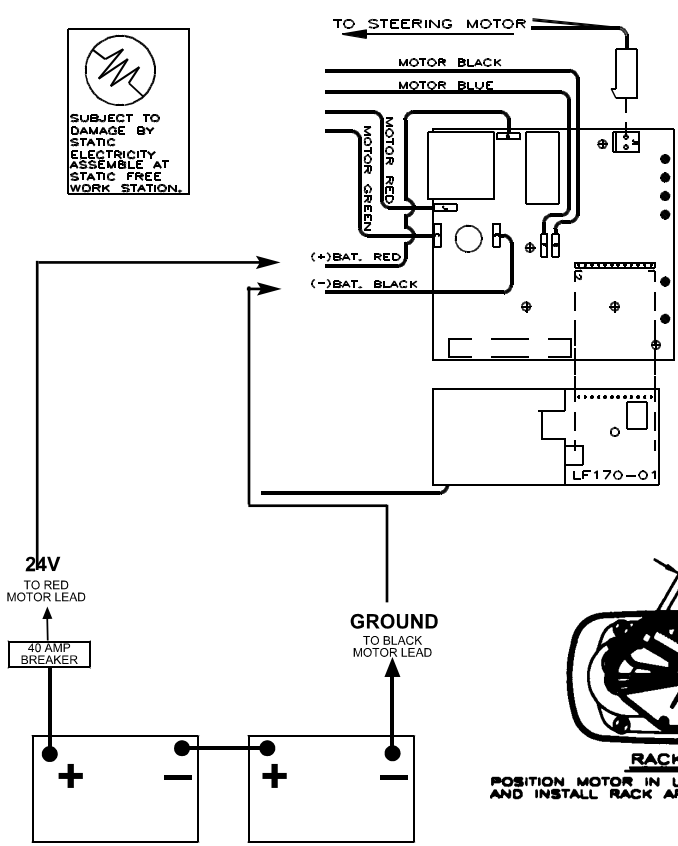
NOTE: TORQUE MOSFET BOLTS TO 35 TO 40 INCH LBS.

NOTE: TORQUE THRU BOLTS TO 40 TO 50 INCH LBS.

DIRECTION OF ROTATION IS COUNTER CLOCKWISE WHEN VIEWED FROM PROPELLER END WITH RED POSITIVE & BLACK NEGATIVE.

KEY	QTY	DESCRIPTION	PART NO.
1	X	MOTOR	JF397-14
2	1	NOSE CAP	JF3212-02
3	2	O RING SEAL	MR217-01
4	1	HOUSING ASY	JF3210-02
5	1	RETAINER	JF233-01
6	2	BRUSH CARD SCREW	MR228-01
7	1	DURA AMP MODULE	JF096-08
8	1	COMM CAP	UF3205-02
9	2	SHAFT SEAL	MR223-01
10	1	BEARING	MR206-01
11	1	NYLATRON WASHER	MR226-01
12	1	WASHER	MR227-01
13	1	E RING	MR219-01
14	2	BRUSH SPRINGS	MR214-02
15	1	BRUSH ASY LESS SPRING	JF3201-05
16	1	ARMATURE 3.5"	JF3207-01
17	4	STATIC SEAL	MR222-01
18	4	THRU BOLT WASHER	MR216-02
19	2	DURA AMP SCREW	MR229-02
20	2	THRU BOLT	MR218-03

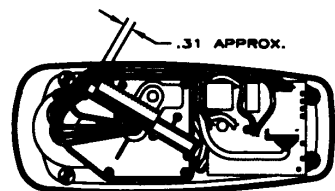
WIRING



SUBJECT TO DAMAGE BY STATIC ELECTRICITY ASSEMBLE AT STATIC FREE WORK STATION.

Lubricate wire exiting pinion with non washout grease and bend wires flat to clear indicator gear teeth.

Battery cable leads to be bent at 90 degrees. Leads must be at or below top of Control electronics board.



RACK INSTALLATION
POSITION MOTOR IN LINE WITH TOP HOUSING (SEE BELOW) AND INSTALL RACK APPROX. 5/16 FROM END OF TRAVEL

