

### SPECIFICATIONS:

Year of Intro	1998
Thrust	25LBS
Volts	12VDC
Amp Draw	0 to 36 amps
Mount	01 Bow
Speeds	5 Forward

### QUICK REFERENCE PARTS GUIDE:

Momentary switch	AP151-01
Toggle Switch	FP153-03
Motor Seal Kit	6220
Rotary Switch	HF150-01

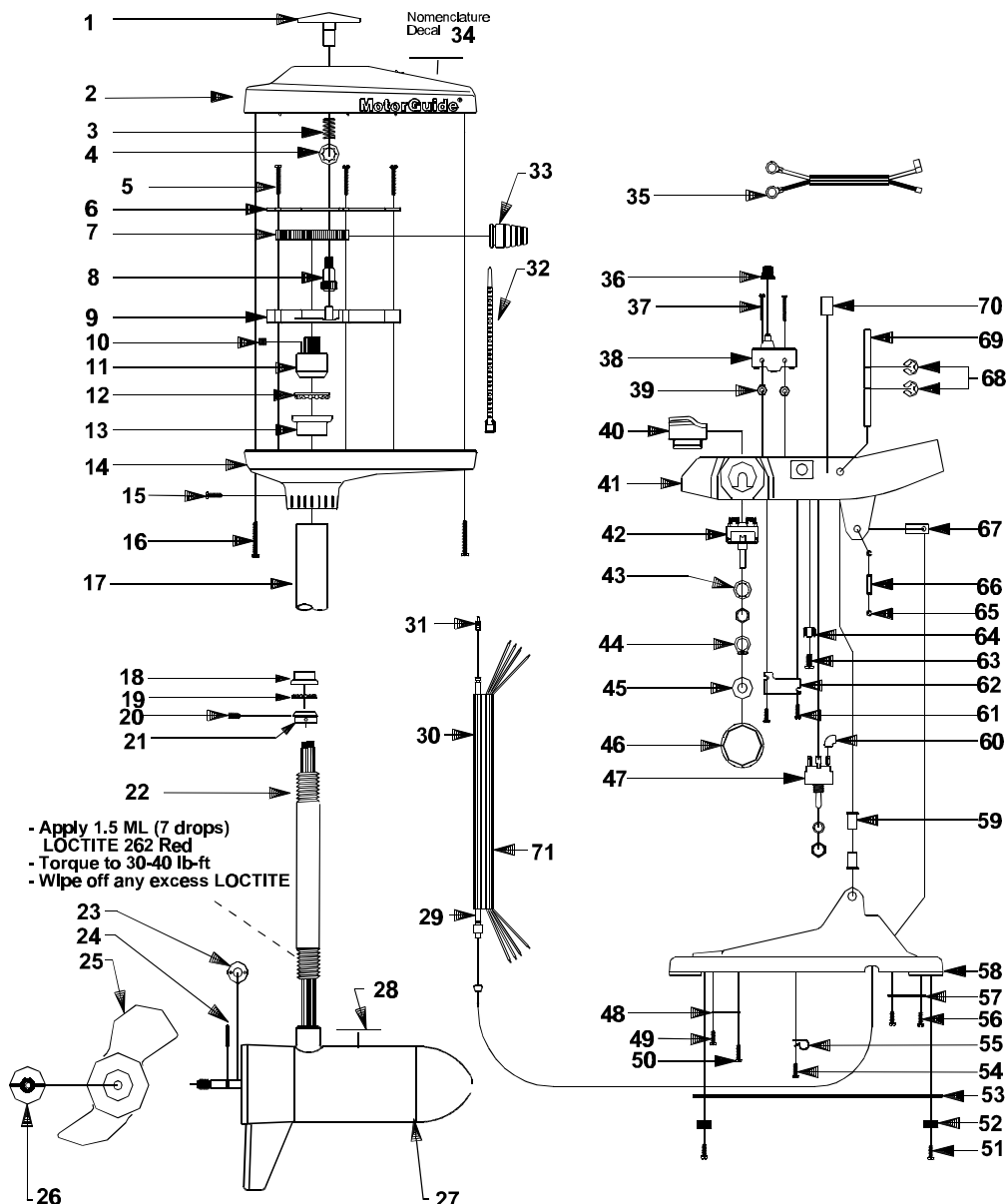
### PARTS ORDERING & TECH ASSISTANCE

MotorGuide Consumer Relations  
 Phone 918-831-6989  
 Fax 800-982-8093

#### Send Returned Goods to:

MotorGuide  
 605 Hwy 12 West  
 Starkville, MS 39760

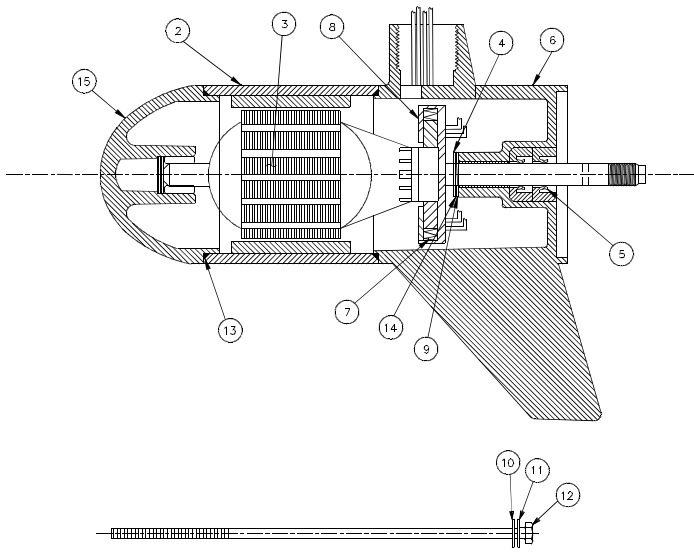
*Returned Goods must be accompanied with a Returned Goods Authorization. Contact MotorGuide Consumer Relations to obtain RGA.*



KEY	DESCRIPTION	PART #	KEY	DESCRIPTION	PART #	KEY	DESCRIPTION	PART #
1	INDICATOR BLACK	JF078-03	25	2BLADE NINJA PROP	FF124-03	49	#6 SELF TAP SCREW	EK135-01
2	TOP HOUSING COVER BLACK	JF053-19	26	PROP NUT	AR099-01	50	6 X 1/2 SCREW	AF135-01
3	COMPRESSION SPRING	AF014-01	27	LOWER UNIT	HF397-04	51	6 X 1/2 SCREW	AF135-01
4	TINNERMAN CLIP	AF046-01	28	LOWER UNIT DECAL	ET060-04	52	FOOT PEDAL PAD	KP023-01
5	#6 RACK GUIDE SCREW	AF133-01	29	63" CONTROL CABLE STUD ASY	9377	53	WEIGHT PLATE ASY	LP3123-01
6	RACK GUIDE COVER	AF127-01	30	69" CONTROL CABLE STUD ASY	9767	54	6 X 1/2 SCREW	AF135-01
7	RACK	AP125-01	31	69" 5 SP CONTROL CABLE ASY	LP327-06	55	CABLE CLAMP	KP036-01
8	INDICATOR GEAR	AF069-01	32	CONTROL CABLE STUD	LP327-08	56	SCREWS	IR133-01
9	RACK GUIDE	AF126-01	33	CABLE TIE	AP141-01	57	BATTERY CLAMP	KP036-02
10	1/4 NUT SET SCREW	AF142-01	34	NOMENCLATURE	AF030-01	58	FOOT PEDAL BASE	LP003-01
11	NUT-SUB ASY	AF398-02	35	BATTERY CABLE ASY	AP071-01	59	SHAFT BUSHING	KP021-01
12	BALL BEARING	AF005-01	36	MICRO SWITCH BOOT	HF056-03	60	INSULATING SLEEVE	AT080-01
13	BEARING CUP	AF007-01	37	#6 32 X 1 1/2 SCREW	AP151-01	61	6 X 1/2 SCREW	AF135-01
14	TOP HOUSING BASE F/O BLACK	JF004-03	38	MICRO SWITCH	LP135-01	62	RETAINER PLATE	LP123-03
15	6 X 5/8 SCREW	AP133-01	39	6 - 32 NUT S.S	AF151-01	63	#10 X 1/2" SCREW	GR133-01
16	8 X 1-3/8 SCREW	AR133-01	40	MICRO BUTTON	SP098-02	64	TERMINAL (4PRONG)	FT160-03
17	36" OUTER TUBE	AF165-01	41	FOOT PEDAL	LP026-01	65	E RING	FP046-01
18	BEARING CUP	AF165-06	42	ROTARY SWITCH	LP101-03	66	CABLE PIVOT PIN	AP105-01
19	BALL BEARING	FM007-01	43	LOCK WASHER 3/8	HF150-01	67	CABLE PIVOT	LP091-01
20	SET SCREW	FM005-01	44	GRIP RING	HF150-01	68	E RING	BK046-01
21	BEARING CONE	AF143-01	45	NYLON WASHER	KP171-01	69	FOOT PEDAL ROCKER PIN	LP102-01
22	36" .187 ALUM. F/O COLUMN	AF006-01	46	5 SPEED KNOB	LP046-01	70	CON/MOM/HBP SWITCH DECAL	LP057-03
23	MONOFILAMENT WASHER	DF049-01	47	TOGGLE SWITCH 3 POSITIONS	AK171-02	71	63" ELECTRIC CABLE JACKET	MM9006-02
24	PROP DRIVE PIN	DF049-02	48	CABLE PLATE	LP082-07		69" ELECTRIC CABLE JACKET	MM9006-03

# LOWER UNIT BREAKDOWN

Model:  
**F25**



NOTE-TORQUE THUR  
BOLT, PART MR218-06  
30 TO 40 IN-LB

3"-24#-5 SPEED MOTOR

REPAIR PARTS LIST

NO. REQ'D	ITEM NO.	DESCRIPTION	PART NO.
1	15	NOSE CAP ASS'Y	FF3212-01BSAW
1	14	WASHER	MR227-01
2	13	"O"-RING SEAL	HF217-01
2	12	THRU BOLT	MR218-06
2	11	THRU BOLT WASHER	MR216-01
2	10	STATIC SEAL	MR222-01
1	9	NYLATRON WASHER	MR226-01
1	8	BRUSH ASS'Y	FF3201-01
2	7	BRUSH SPRINGS	MR214-02
1	6	COMM CAP ASS'Y	FF3205-01BSAW
2	5	SHAFT SEAL	MR223-01
1	4	"E" RING	MR219-02
1	3	ARMATURE ASS'Y	HF3207-02
1	2	HOUSING ASS'Y	HF3210-01BSAW
1	1	3"-24#-5 SPEED MOTOR	HF397-04

HF397-04

## WIRING

### 12V WIRING DIAGRAM

