

Model: **ENERGY**

EF54P

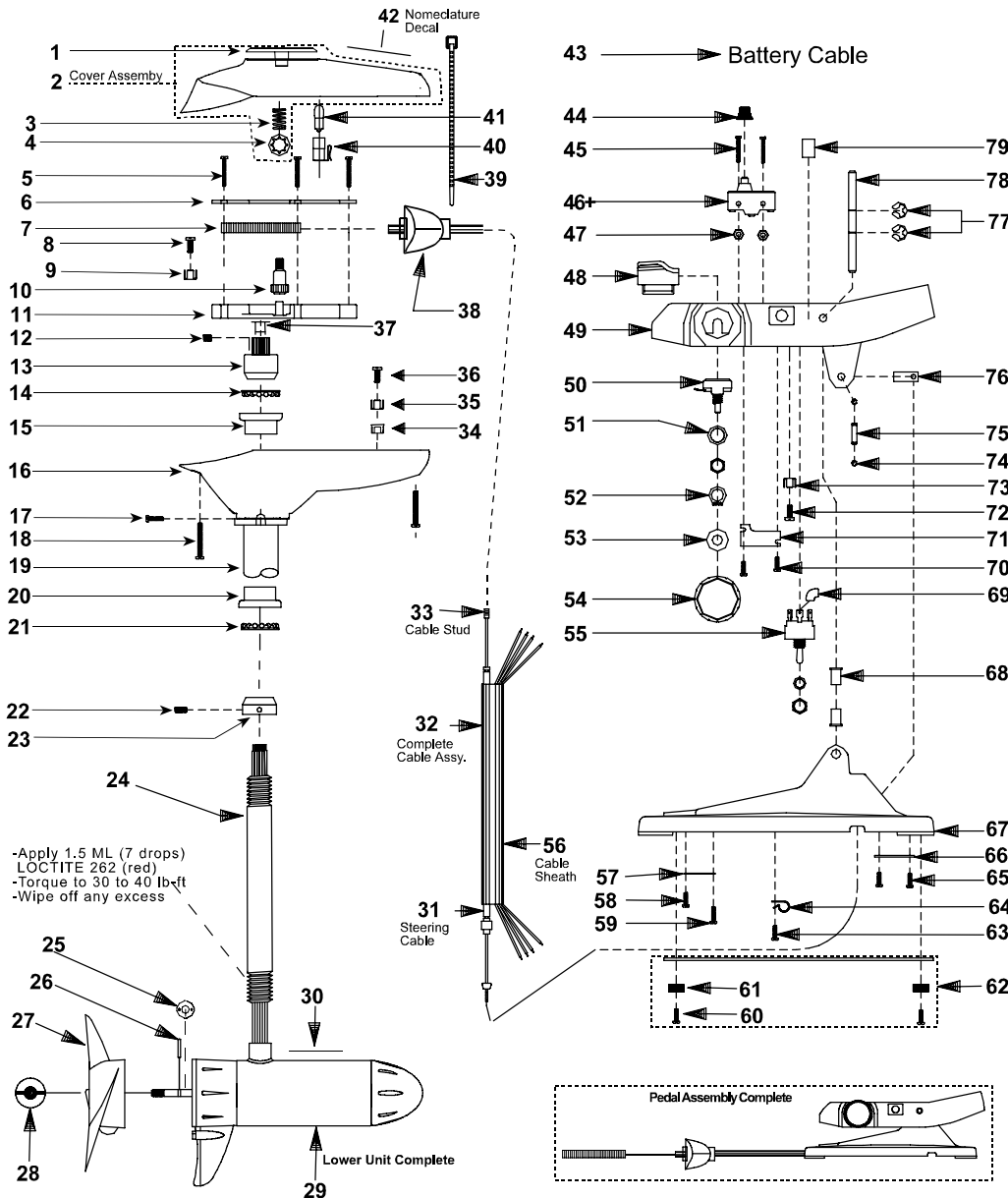
SPECIFICATIONS:

| | |
|---------------|--------------|
| Year of Intro | 2001 |
| Thrust | 54 LBS |
| Volts | 12VDC |
| Amp Draw | 0 to 48 amps |
| Mount | 15 Bow |
| Speeds | 5 Forward |

PARTS ORDERING & TECH ASSISTANCE

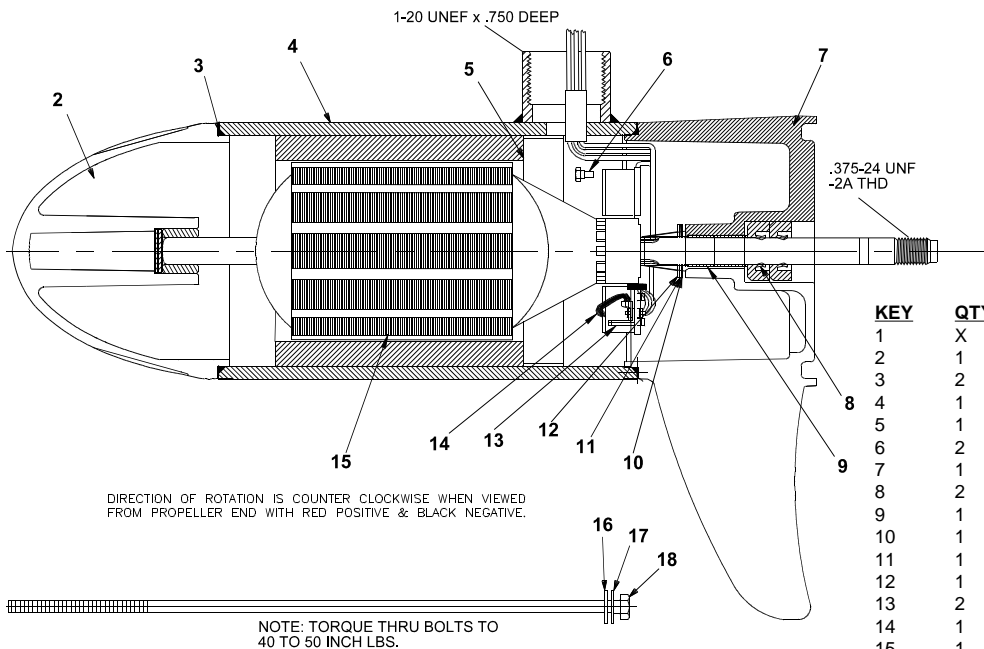
MotorGuide Consumer Relations
 Phone 918-266-8398
 Fax 800-982-8093

Returned Goods must be accompanied with a Returned Goods Authorization. Contact MotorGuide Consumer Relations to obtain RGA.



| KEY | DESCRIPTION | PART # | KEY | DESCRIPTION | PART # | KEY | DESCRIPTION | PART # |
|-----|--------------------------|----------|-----|----------------------------|----------|-----|---------------------------|-----------|
| 1 | RED INDICATOR | AF078-08 | 29 | MOTOR | DS397-10 | 54 | SPEED KNOB | LP082-07 |
| 2 | T/H COVER COMPLETE BLACK | EF053-17 | 30 | | | 55 | TOGGLE SWITCH 3 POSITIONS | FP153-03 |
| 3 | COMPRESSION SPRING | AF014-01 | 31 | 63" CONTROL CABLE STUD ASY | 9377 | 56 | 69" ELECTRIC CABLE JACKET | MM9006-03 |
| 4 | TINNERMAN CLIP | AF046-01 | 32 | 69" CONTROL CABLE STUD ASY | 9767 | 57 | 63" ELECTRIC CABLE JACKET | MM9006-02 |
| 5 | #6 RACK GUIDE SCREW | XF133-01 | 33 | 63" CONTROL CABLE ASY | AP327-16 | 58 | CABLE PLATE | KP123-01 |
| 6 | RACK GUIDE COVER | AF127-01 | 34 | 69" CONTROL CABLE ASY | AP327-18 | 59 | #6 SELF TAP SCREW | EK135-01 |
| 7 | RACK | AP125-01 | 35 | CONTROL CABLE STUD | AP141-01 | 60 | 6 X 1/2 SCREW | AF135-01 |
| 8 | #10 X 1/2 SCREW | RT133-03 | 36 | ON SERT PAL NUT | TT098-03 | 61 | 6 X 1/2 SCREW | AF135-01 |
| 9 | TERMINAL (4 PRONG) | FT160-03 | 37 | TERMINAL (4 PRONG) | FT160-03 | 62 | FOOT PEDAL PAD | KP023-01 |
| 10 | INDICATOR GEAR | AF069-01 | 38 | #10 X 1/2 SCREW | RT133-03 | 63 | WEIGHT PLATE ASY | LP3123-01 |
| 11 | RACK GUIDE | AF126-01 | 39 | PINION NUT BUSHING | AF021-01 | 64 | 6 X 1/2 SCREW | AF135-01 |
| 12 | 1/4 NUT SET SCREW | AF142-01 | 40 | GROMMET | AP071-02 | 65 | CABLE CLAMP | KP036-01 |
| 13 | PM PINION NUT | AF398-01 | 41 | CABLE TIE | AF030-01 | 66 | SCREW | IR133-01 |
| 14 | BEARING | FM005-01 | 42 | LAMP HOLDER | AF394-01 | 67 | BATTERY CLAMP | KP036-02 |
| 15 | BEARING CUP | AF007-01 | 43 | LAMP | AF093-03 | 68 | FOOT PEDAL BASE | LP003-01 |
| 16 | T/H BASE BLACK | EF004-16 | 44 | NOMENCLATURE | DF056-19 | 69 | SHAFT BUSHING | KP021-01 |
| 17 | RIVET | LF111-03 | 45 | BATTERY CABLE ASY | EP328-07 | 70 | INSULATING SLEEVE | AT080-01 |
| 18 | #8 X 5/8 SCREW | AT141-01 | 46 | MICRO SWITCH BOOT | KP157-01 | 71 | 6 X 1/2 SCREW | AF135-01 |
| 19 | 42/50" OUTER TUBE | AF165-06 | 47 | #6 32 X 1 1/2 SCREW | LP135-01 | 72 | RETAINER PLATE | LP123-03 |
| 20 | BEARING CUP | FM007-01 | 48 | MICRO SWITCH | AP151-01 | 73 | #10X1/2 SCREW | RT133-03 |
| 21 | BEARING | FM005-01 | 49 | 6 - 32 NUT S.S | SP098-02 | 74 | ON SERT PAL NUT | TT098-03 |
| 22 | CONE SET SCREW | AF143-01 | 50 | MICRO BUTTON | LP026-01 | 75 | E RING | FP046-01 |
| 23 | BEARING CONE | AF006-01 | 51 | FOOT PEDAL | LP101-02 | 76 | CABLE PIVOT PIN | AP105-01 |
| 24 | 42" .105 SS F/O COLUMN | AF049-09 | 52 | ROTARY SWITCH | HF150-01 | 77 | CABLE PIVOT | LP091-01 |
| 25 | MONOFILAMENT WASHER | AR175-01 | 53 | LOCK WASHER 3/8 | KP171-01 | 78 | .312 E RING | BK046-02 |
| 26 | PROP DRIVE PIN | BR102-02 | | GRIP RING | LP046-01 | 79 | FOOT PEDAL ROCKER PIN | LP102-01 |
| 27 | PROP | AF124-12 | | NYLON WASHER | AK171-02 | | SWITCH DECAL | LP057-09 |
| 28 | PROP NUT | AR099-01 | | | | | | |

LOWER UNIT BREAKDOWN



| KEY | QTY | DESCRIPTION | PART NO. |
|-----|-----|-----------------------|-----------|
| 1 | X | MOTOR | Ds397-10 |
| 2 | 1 | NOSE CAP | XF3212-01 |
| 3 | 2 | O RING SEAL | MR217-01 |
| 4 | 1 | HOUSING ASY | US3210-03 |
| 5 | 1 | RETAINER | JF233-01 |
| 6 | 2 | BRUSH CARD SCREW | MR228-01 |
| 7 | 1 | COMM CAP | DF3205-06 |
| 8 | 2 | SHAFT SEAL | MR223-01 |
| 9 | 1 | BEARING | MR206-01 |
| 10 | 1 | NYLATRON WASHER | MR226-01 |
| 11 | 1 | WASHER | MR227-01 |
| 12 | 1 | E RING | MR219-02 |
| 13 | 2 | BRUSH SPRINGS | MR214-02 |
| 14 | 1 | BRUSH ASY LESS SPRING | DF3201-01 |
| 15 | 1 | ARMATURE | CF3207-02 |
| 16 | 4 | STATIC SEAL | MR222-01 |
| 17 | 4 | THRU BOLT WASHER | MR216-01 |
| 18 | 2 | THRU BOLT | MR218-01 |

WIRING

