

MotorGuide REPAIR PARTS

Model:
BD1245QS

SPECIFICATIONS:

Year of Intro 1998
Thrust 45LBS
Volts 12VDC
Amp Draw 0 to 48 amps
Mount 03 Transom
Speeds 5/2

QUICK REFERENCE PARTS GUIDE:

Rotary Switch KT150-02
Relay TT128-02
ON/OFF Switch TT3149-03
Seal Kit 6220

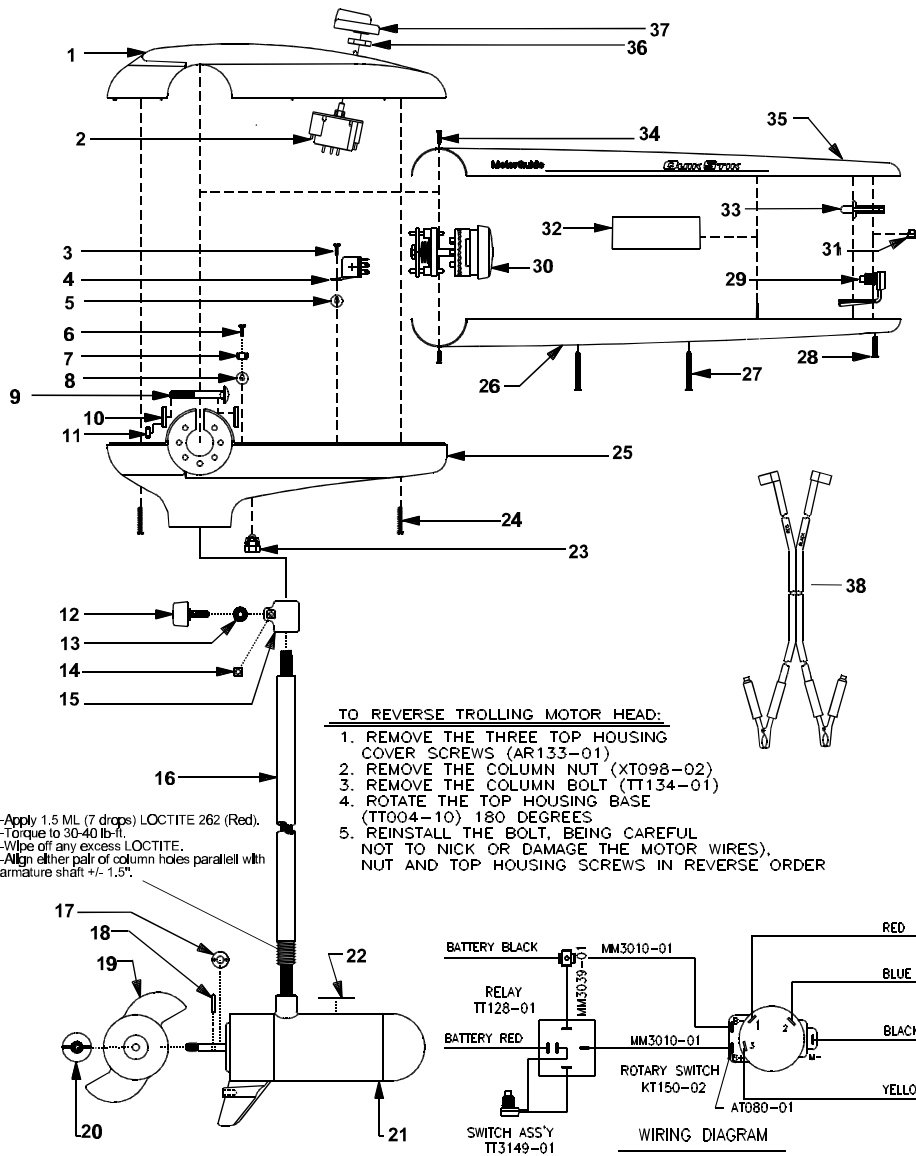
PARTS ORDERING & TECH ASSISTANCE

MotorGuide Consumer Relations
Phone 918-831-6989
Fax 800-982-8093

Send Returned Goods to:

MotorGuide
605 Hwy 12 West
Starkville, MS 39760

Returned Goods must be accompanied with a Returned Goods Authorization. Contact MotorGuide Consumer Relations to obtain RGA.



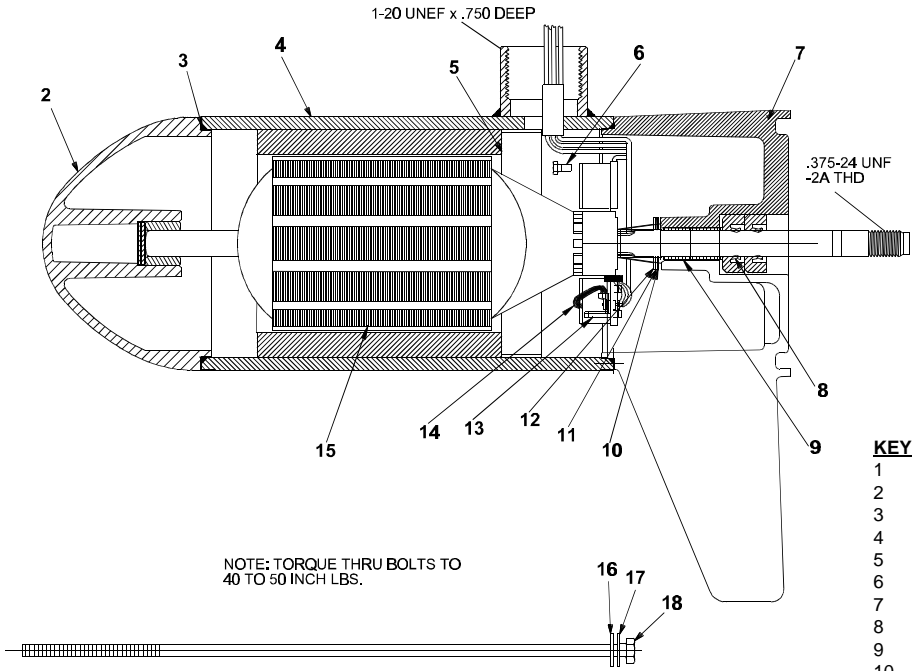
KEY#	PART#	DESCRIPTION
1	FT053-12	QS T/H COVER
2	KT150-02	ROTARY SWITCH
3	GR133-01	#10 X 1/2" SCREW
4	TT128-01	12 VOLT RELAY
5	TT098-03	ON SERT/PAL NUT
6	GR133-01	#10 X 1/2" SCREW
7	FT160-03	TERMINAL (4 PRONG)
8	TT098-03	ON SERT/PAL NUT
9	TT134-01	BOLT
10	TT171-04	CURVED WASHER
11	XT098-02	NYLON LOCK NUT
12	AR082-02	KNOB DEPTH ADJUSTMENT
13	AR171-01	COLUMN CLAMP WASHER
14	FR098-01	COLUMN SUPPORT NUT
15	AR051-01	DEPTH ADJUSTMENT COLLAR
16	TT049-05	36" COLUMN FOR QUIK STIK
	FR049-19	42" COLUMN SS
17	AR175-01	MONOFILAMENT WASHER
18	BR102-01	PROP DRIVE PIN
19	AF124-05	2 BLADE NINJA PROP
20	AR099-01	PROP NUT
21	DF397-02	MOTOR
22	ET060-04	LOWER UNIT DECAL BEAST
23	GR019-01	BATTERY CABLE BUSHING
24	AR133-01	8 X1-3/8 SCREW
25	TT004-12	T/H BASE QS GENERIC

KEY#	PART#	DESCRIPTION
26	TT072-11	LOWER HANDLE QS
27	TT133-03	SCREW #6X1"
28	TT133-02	SCREW #6X.75
29	TT3149-03	ON/OFF SWITCH ASY QS
30	TT372-04	HANDLE/CLUTCH ASY QS
31	TT177-02	SWITCH BOOT
32	FT057-05	N/A
33	TT001-04	ACTUATOR ON/OFF
34	TT133-01	SCREW #6X.437
35	FT072-03	UPPER HANDLE PWR PLUS
36	AT098-01	PAL NUT
37	TT082-06	ROTARY KNOB
38	TT328-03	BATTERY CABLE ASSEMBLY

PARTS NOT ILLUSTRATED
FT056-14 DECAL, TOP HOUSING

LOWER UNIT BREAKDOWN

Model:
BD1245QS



KEY	QTY	DESCRIPTION	PART NO.
1	X	MOTOR	DF397-02
2	1	NOSE CAP	JF3212-02
3	2	O RING SEAL	MR217-01
4	1	HOUSING ASY	UF3210-01
5	1	RETAINER	JF233-01
6	2	BRUSH CARD SCREW	MR228-01
7	1	COMM CAP	DF3205-01
8	2	SHAFT SEAL	MR223-01
9	1	BEARING	MR206-01
10	1	NYLATRON WASHER	MR226-01
11	1	WASHER	MR227-01
12	1	E RING	MR219-01
13	2	BRUSH SPRINGS	MR214-02
14	1	BRUSH ASY LESS SPRING	DF3201-01
15	1	ARMATURE 3.5"	CF3207-01
16	4	STATIC SEAL	MR222-01
17	4	THRU BOLT WASHER	MR216-01
18	2	THRU BOLT	MR218-02

WIRING

