



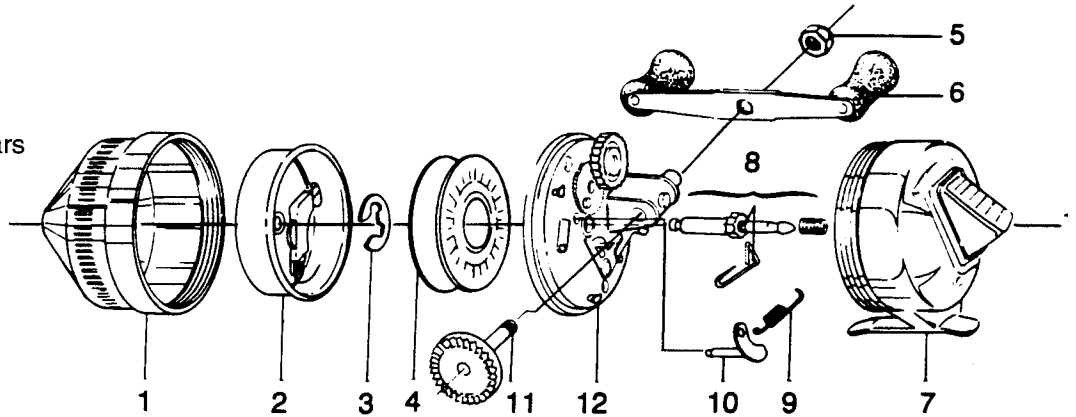
808E

SPECIFICATIONS:

Heavy Freshwater
 100 yds./20 lb. Line Capacity
 3.0:1 Ratio
 13.5 oz. Weight

FEATURES:

Brawny stainless-steel gears
 Smooth, fade-free dial-adjustable drag
 2 X 4 Power Handle
 Silent on/off anti-reverse
 Positive line pickup
 Saltwater-resistant components and construction
 Color: Dk. Brown/Beige



Key No.	Part No.	Description	Price	Key No.	Part No.	Description	Price
1	EE324-03	Front Cover S/A	3.10				
2	EE310-01	Spinnerhead S/A	6.65				
3	GZ034-01	Retainer Clip	.58				
4	FE321-03	Wnd Spool/20# Hi Perf. Line	6.65				
	FE021-01	Spool	4.48				
5	QZ003-02	Crank Nut	.74				
6	ME318-03	Crank Handle S/A	5.91				
7	EE323-07	Back Cover S/A	3.35				
8	FE315-01	Center Shaft S/A	3.81				
9	PZ085-01	Clutch Spring	.63				
10	PZ307-02	Clutch Shaft S/A	1.71				
11	PZ308-01	Crank Shaft S/A	4.66				
12	PZ301-02	Body S/A	5.18				
14	PY009-01	Thumb Stop	1.08				

MODEL INTRODUCED	1996	EFFECTIVE DATE OF PARTS LIST/DIAGRAM	Oct. 1996	DISCONTINUED	N/A
------------------	------	--------------------------------------	-----------	--------------	-----

Prices subject to change without notice. Prices do not include postage and handling.

