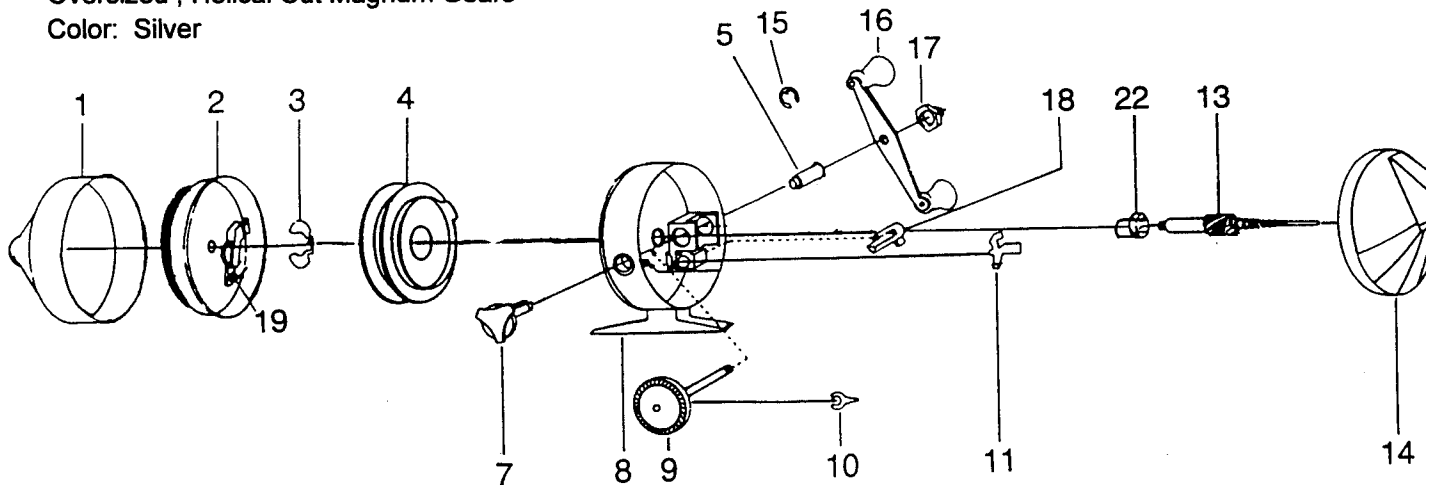


**SPECIFICATIONS:**

Med Hvy FW  
 80 yds / 20 lb. Line Capacity  
 3.6:1 Gear Ratio  
 Weight: 10.3 oz.

**FEATURES:**

Powerful DIRECT DRIVE (no drag)  
 Selective Anti-Reverse w/ Bait Alert  
 Oversized Power Handle  
 Oversized , Helical Cut Magnum Gears  
 Color: Silver



Key No.	Part No.	Description	Price
1	KZ324-02	Front Cover Asy.	6.08
2	KZ310-01	Spinnerhead Asy.	6.64
3	RY034-01	Spool Retainer Clip	.45
4	GE021-01B	Spool (empty)	3.48
4	GE321-01	Spool w/.20lb. H.P. Line	6.64
5	KY026-05E	Crank Shaft Bushing	2.90
6	GE309-01	Thumb Brake Asy.	1.40
7	ME014-01	Bait Alert Switch	.75
8	KZ301-05	Body Asy.	8.95
9	KY308-04C	Crank Shaft Asy.	3.30
10	JY060-01	Pawl Actuator	.79
11	KZ060-01	Anti-Reverse Pawl	.58
13	KZ315-04	Center Shaft Asy.	2.75
14	KZ023-01	Back Cover Asy.	2.70
15	JY121-01	Spinnerhead Spring	.45
16	KZ318-03	Handle Asy.	3.10
17	AZ003-01	Crank Handle Nut	.58
18	RY002-01	Anti-Reverse Actuator	.79
19	JY049-01	Spinnerhead Spring	.45
22	RY017-01	Center Bushing	1.05

MODEL INTRODUCED	1996	EFFECTIVE DATE OF PARTS LIST/DIAGRAM	Oct. 1996	DISCONTINUED	N/A
------------------	------	--------------------------------------	-----------	--------------	-----

Prices subject to change without notice. Prices do not include postage and handling.

