



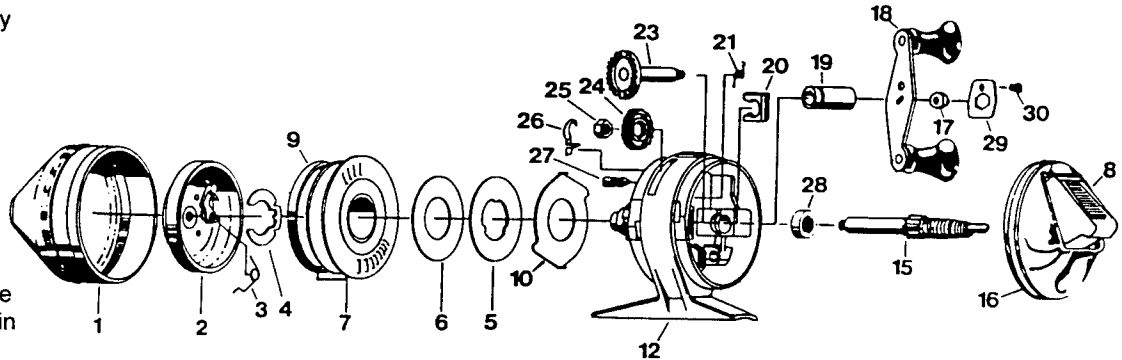
33CLA / 50CL

SPECIFICATIONS:

Medium Freshwater
 100 yds./10lb. Line Capacity
 3.0:1 Ratio
 Weight: 8.0 oz.

FEATURES:

Continuous Anti-Reverse
 Helical-cut, extra hard
 Magnum Gears
 Magnum Drag System
 Dual Grip Power Handle
 Fiberglass-reinforced Frame
 Cut-proof ceramic pickup pin
 Color: 33CLA - Gold
 50CL - Black



33 CLASSIC PARTS LIST

50CL PARTS LIST

| Key No. | Part No. | Description | Price | Key No. | Part No. | Description | Price |
|---------|------------|--------------------------------|-------|---------|------------|--------------------------------|-------|
| 1 | VY324-03 | Front Cover | 2.25 | 1 | VY324-05 | Front Cover | 2.25 |
| 2 | RY310-01 | Spinnerhead Assy | 4.49 | 2 | RY310-01 | Spinnerhead Assy | 4.49 |
| 3 | RY049-01F | Spring - Pickup Arm | .45 | 3 | RY049-01F | Spring - Pickup Arm | .45 |
| 4 | RY034-01A | Spool Retainer Clip | .45 | 4 | RY034-01A | Spool Retainer Clip | .45 |
| 5 | CJ040-01A | Spool Washer Metal | .98 | 5 | CJ040-01A | Spool Washer Metal | .98 |
| 6 | CJ108-101A | Flat Washer | .39 | 6 | CJ108-101A | Flat Washer | .39 |
| 7 | RY321-04 | Spool w/10# Line | 5.75 | 7 | RY321-04 | Spool w/10# Line | 5.75 |
| 8 | JE309-01 | Thumb Stop Assy | 2.84 | 8 | JE309-02 | Thumb Stop Assy | 2.84 |
| 9 | RY036-01 | Spool Lip | .64 | 9 | RY036-01 | Spool Lip | .64 |
| 10 | RY027-01F | Clutch Ring | .98 | 10 | RY027-01F | Clutch Ring | .98 |
| 12 | VY301-04 | Body Assy (Includes A/R Clutch | 10.35 | 12 | VY301-04 | Body Assy (Includes A/R Clutch | 10.35 |
| 15 | JE315-02 | Center Shaft Assembly | 2.83 | 15 | JE315-02 | Center Shaft Assembly | 2.83 |
| 16 | VY323-03 | Back Cover | 2.45 | 16 | VY323-03 | Back Cover | 2.45 |
| 17 | VY003-01B | Crank Nut | .58 | 17 | VY003-01B | Crank Nut | .58 |
| 18 | KZ318-10 | Crank Handle | 2.35 | 18 | KZ318-14 | Crank Handle | 2.35 |
| 19 | RY026-01H | Crank Bushing | .58 | 19 | RY026-01H | Crank Bushing | .58 |
| 20 | RY029-01C | Bearing Retainer Clip | .32 | 20 | RY029-01C | Bearing Retainer Clip | .32 |
| 21 | RY064-01C | Drag Adjustment Spring | .45 | 21 | RY064-01C | Drag Adjustment Spring | .45 |
| 23 | RY308-04 | Crank Shaft Assy | 1.15 | 23 | RY308-04 | Crank Shaft Assy | 1.15 |
| 24 | RY332-03 | Drag Wheel Assy | .55 | 24 | RY332-01 | Drag Wheel Assy | .55 |
| 25 | RY077-01 | Hex Nut | .45 | 25 | RY077-01 | Hex Nut | .45 |
| 26 | RY033-01D | Spool Click Spring | .50 | 26 | RY033-01D | Spool Click Spring | .50 |
| 27 | BJ054-02C | Clutch Screw | .68 | 27 | BJ054-02C | Clutch Screw | .68 |
| 28 | VY017-01A | Center Bushing | .60 | 28 | VY017-01A | Center Bushing | .60 |
| 29 | VY056-01D | Nut Lock | .26 | 29 | RY031-01 | Lock Washer | .26 |
| 30 | VY057-01B | Screw | .21 | 30 | N/A | | |

| | | | | | |
|--------------------|--------------|---------------------------|--------|---------------------|-----|
| MODEL | 33CLA - 1997 | EFFECTIVE DATE OF | Nov-98 | DISCONTINUED | N/A |
| INTRODUCED: | 50CL - 1999 | PARTS LIST/DIAGRAM | | | |

Prices subject to change without notice. Prices do not include postage and handling.

PLEASE ORDER BY PART NUMBER Zebco Division Brunswick Corporation, Box 270, Tulsa, OK 74101, USA 918-831-6965

