



44E / 44L

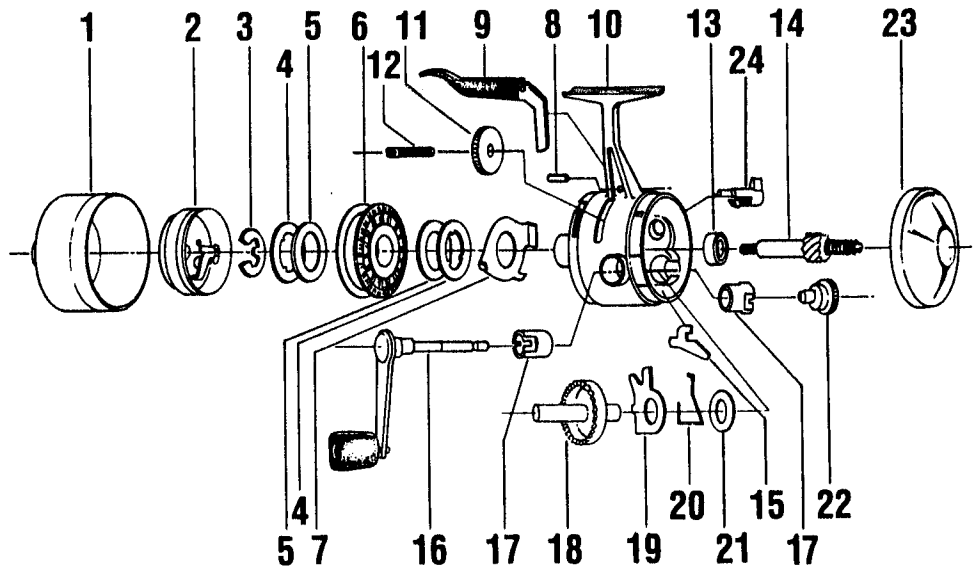
SPECIFICATIONS:

Application: Medium FW
 Line Capacity: 90 yds / 8 lb
 Gear Ratio: 4.4:1
 9.6 oz.
 1 Ball Bearing

FEATURES:

Interchangeable Right / Left Hand Retrieve
 Silent On / Off Anti-Reverse
 Trigger Casting Mechanism
 Color:

Gold - 44E
 Silver - 44L



Key No.	Description	Part No. 44E	Part No. 44L	Price	Key No.	Description	Part No. 44E	Part No. 44L	Price
1	Front Cover Assy.	ZJ324-18	ZJ324-21	3.04	13	Ball Bearing	RY317-01	←	2.11
2	Spinnerhead Assy.	JY310-02	←	5.65	14	Centershaft S/A	KJ315-01	←	7.31
3	Spool Clip	GZ034-01	←	0.60	15	Anti-Revers Pawl	HJ060-01	←	0.60
4	Spool Washer	JY040-01	←	0.81	16	Handle S/A	KJ318-03	KJ318-05	3.86
5	Flat Washer	JY108-01	←	0.40	17	Crank Bushing	CJ026-01	←	1.31
6	Spool w/ 8# Line	JY321-01	←	5.53	18	Crank Gear	CJ012-03	←	3.72
6	Spool	JY021-01	←	2.27	19	Anti-Reverse Drag	CJ014-01	←	0.72
7	Clutch Ring	AE027-01	←	1.16	20	Anti-Reverse Drag Spring	CJ061-01	←	0.38
8	Finger Brake Pin	CJ172-02	←	0.60	21	Flat Washer	CJ106-01	←	0.38
9	Finger Brake	KJ350-01	←	2.12	22	Crank Rod Nut	KJ068-01	←	1.16
10	Body Assy.	KJ301-03	←	12.41	23	Back Cover	KJ023-02APA	KJ023-02ACP	3.05
11	Clutch Wheel	KJ032-01	←	4.26	24	Anti-Reverse Knob	RY002-01	←	0.81
11	Clutch Screw	BJ054-02	←	0.70					

MODEL 44E - 1996	EFFECTIVE DATE OF	DISCONTINUED: N/A
INTRODUCED: 44L - 1998	PARTS LIST/DIAGRAM: Aug. '98	

Zebco, P.O. Box 270, Tulsa, Ok. 74101; 918-831-6965 Phone or 800-FIXREEL (349-7335) FAX

PLEASE ORDER BY PART NUMBER

Prices subject to change without notice. Prices do not include postage and handling.

