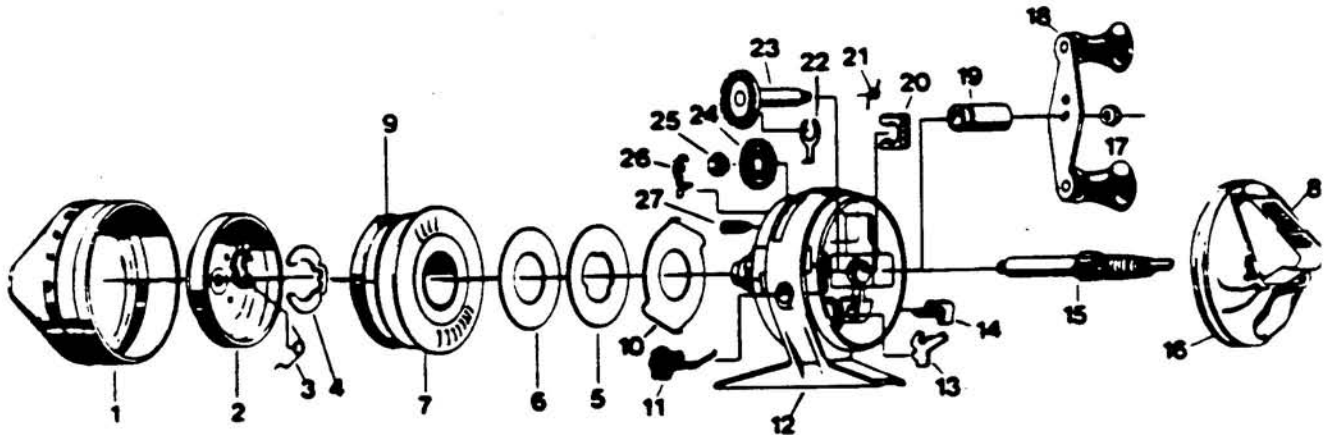


For Parts & Service  
 Call 1-888-404-1119  
[www.mikesreelrepair.com](http://www.mikesreelrepair.com)



Key No.	Part No.	Description
1	RY324-2	FRONT COVER S/A
2	RY310-1	SPINNERHEAD ASSY.
3	RY049	SPRING - PICKUP ARM
4	RY034	RETAINER CLIP
5	CJ040	SPOOL WASHER
6	CJ108	FLAT WASHER
7	RY021-1	SPOOL (EMPTY)
7	RY321-10H	WOUND SPOOL 10# MONO H.P.
8	RY309	THUMB STOP S/A
9	RY036-1	SPOOL LIP
10	RY027	CLUTCH RING
11	RY014	BAIT CLICK
12	RY301-2	BODY ASSY.
13	RY060	ANTI-REVERSE PAWL
14	RY002	ANTI-REVERSE KNOB
15	RY315-3	CENTER SHAFT ASSY.
16	RY323	BACK COVER S/A
17	AZ003	CRANK NUT
18	RY318-3	CRANK HANDLE S/A
19	RY026	CRANK SHAFT BUSHING
20	RY029	RETAINER CLIP - PLASTIC
21	RY064	SPRING-DRAG ADJUSTMENT
22	JY061	PAWL ACTUATOR
23	RY308	CRANK SHAFT ASSY
24	RY032	DRAG ADJUSTMENT WHEEL
26	RY0	RATCHET SPRING
27	BJ054-2	CLUTCH SCREW

For Parts & Service  
 Call 1-888-404-1119  
[www.mikesreelrepair.com](http://www.mikesreelrepair.com)