



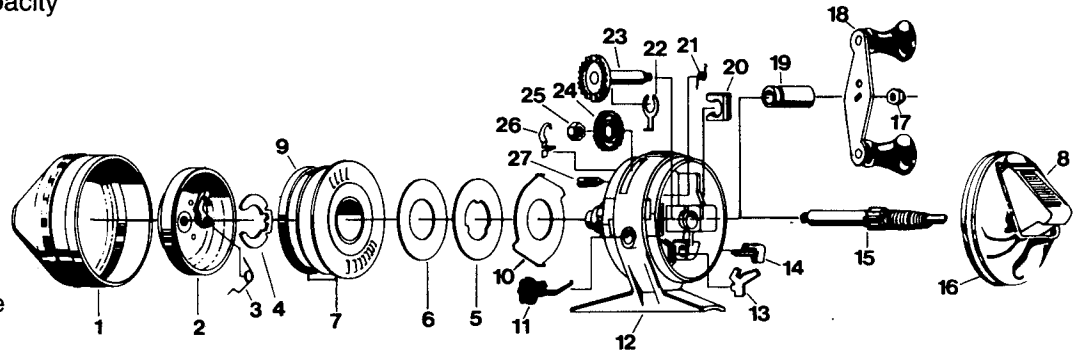
33E

SPECIFICATIONS:

Medium Freshwater
 100 yds./10 lb. Line Capacity
 3.0:1 Ratio
 7.7 oz. Weight

FEATURES:

Helical-cut, extra-hard
 Magnum Gears
 Magnum Drag System
 Dual-grip power handle
 Silent on/off anti-reverse
 Stainless-steel housing
 Cut-proof ceramic pickup pin
 Bait Alert alarm
 Color: Silver/Black



Key No.	Part No.	Description	Price	Key No.	Part No.	Description	Price
1	RY324-09	Front Cover S/A	2.55				
2	RY310-01	Spinnerhead S/A	4.49				
3	RY049-01	Spinnerhead Spring	.45				
4	RY034-01	Retainer Clip	.45				
5	CJ040-01	Spool Washer	.98				
6	CJ108-01	Flat Washer	.39				
7	RY321-01	Wnd Spool 10# H.P. Line	5.75				
	RY021-01	Spool	2.34				
8	RY309-01	Thumb Stop S/A	1.08				
9	RY036-01	Spool Lip	.64				
10	RY027-01	Clutch Ring	.98				
11	RY014-01	Bait Clicker	.79				
12	RY001-07	Body	9.85				
13	RY060-01	Anti-Reverse Pawl	.58				
14	RY002-01	Anti-Reverse Actuator	.79				
15	RY315-03	Center Shaft S/A	3.52				
16	RY023-01	Back Cover	3.76				
17	AZ003-01	Crank Nut	.58				
18	OK318-02	Crank Handle S/A	1.70				
19	RY026-01	Crank Shaft Bearing	.58				
20	RY029-01	Bushing Retainer Clip	.39				
21	RY034-01	Spring Drag Adjustment	.45				
22	JY061	Pawl Actuator	.45				
23	RY308-03	Crank Shaft S/A	3.12				
24	RY332-01	Drag Adjustment Wheel S/A	.84				
25	RY077-01	Hex Nut	.45				
26	RY033-01	Ratchet Spring	.50				
27	BJ054-2	Clutch Screw	.68				

MODEL INTRODUCED 1996	EFFECTIVE DATE OF PARTS LIST/DIAGRAM Oct. 1996	DISCONTINUED N/A
------------------------------	---	-------------------------

Prices subject to change without notice. Prices do not include postage and handling.

PLEASE ORDER BY PART NUMBER Tebco Division Brunswick Corporation, Box 270, Tulsa, OK 74101 USA 918 931 6065

