



HT10, QG200, 2010

HT20, QG200, 2020, 2061 & KM20 (use 2020)

HT30, QG300, 2030, 2065 & PS3000 (use 2030)

SPECIFICATIONS:

Application:

- HT10, QG200, 2010 - Lt FW
- HT20, QG200, 2020 - M FW
- HT30, QG300, 2030 - Hvy FW

Gear Ratio:

- HT10, QG100, 2010 - 3.9:1
- HT20, QG200, 2020 - 3.6:1
- HT30, QG300, 2030 - 3.6:1

Line Capacity:

- HT10, QG100, 2010 - 90 yds / 6 lb
- HT20, QG200, 2020 - 90 yds / 8 lb
- HT30, QG300, 2030 - 80 yds / 14 l

Weight

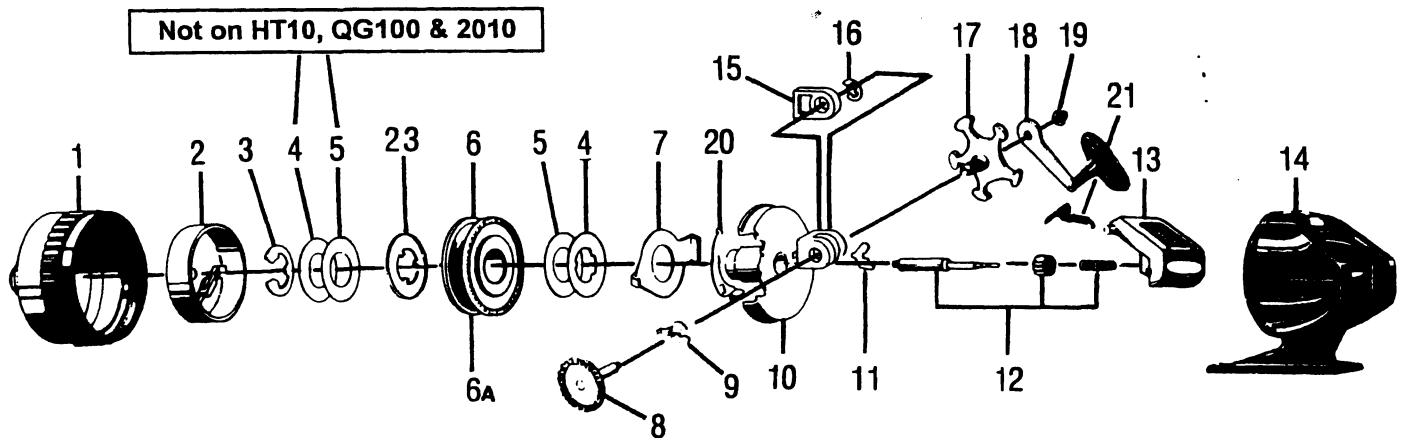
- HT10, QG100, 2010 - 5.8 oz
- HT20, QG200, 2020 - 8.3 oz
- HT30, QG300, 2030 - 9.4 oz

FEATURES:

- Wide Range Star Drag
- Helical Gears
- Silent Automatic Anti-Reverse
- Ball Bearing Drive (HT and QG reels)

Color:

- HT reels - Cranberry
- QG reels - Black
- Prostaff reels - Dark Grey



Key No.	Description	Price	Part No.									
			HT10	QG100	2010	HT20	QG200	2020 2061 KM20	HT30	QG300	2030 2065 PS3000	
1	Front Cover	6.66	QY324-07	QY324-06	QY324-05	JY324-20	JY324-13	JY324-12	KY324-08	KY324-06	KY324-05	
2	Spinnerhead Asy.	5.27	QT310-01	←	←	JY310-01	←	←	KY310-01	←	←	
3	Spool Retainer Clip	.60	XZ034-01	←	←	JY034-01	←	←	GZ034-01	←	←	
4	Spool Washer (metal)	1.01	BJ040-01	←	←	JY040-01	←	←	CJ040-01	←	←	
5	Flat Washer	.40	BJ108-01	←	←	JY108-01	←	←	CJ108-01	←	←	
6	Spool w/ line	6.64	QY321-01	←	←	JY321-01	←	←	KY321-01	←	←	
6A	Spool (empty)	2.27	QY021-01	←	←	JY021-01	←	←	KY021-01	←	←	
7	Clutch Ring	.94	QY027-01	←	←	NY027-01	←	←	KY027-01	←	←	
8	Crank Shaft Asy.	3.33	QY308-01	←	←	JY308-01	←	←	KY308-04		KY308-04	
9	Pawl Actuator	.46	JY061-01	←	←	←	←	←	←	←	←	
10	Body Asy.	8.79	QY301-01	←	←	JY301-01	←	←	KY301-01	←	←	
11	Anti-Reverse Pawl	.46	JY060-01	←	←	←	←	←	←	←	←	
12	Center Shaft Asy.	4.03	QY315-01	←	←	JY315-02	←	JY315-01	KY315-02	←	KY315-01	
13	Thumb Stop	1.06	QY009-02	TY009-01	←	JY009-02	KY009-01	←	JY009-02	KY009-01	←	
14	Back Cover Asy.	2.25	QY323-07	QY323-06	QY323-05	JY323-09	JY323-06	JY323-06	KY323-08	KY323-07	KY323-06	
15	Slide Drag Actuator	1.35	JY054-01	←	←	←	←	←	KY054-01	←	←	
16	Retainer Clip	.40	JY121-01	←	←	←	←	←	←	←	←	
17	Drag Star	.46	JY032-01	←	←	←	←	←	←	←	←	
18	Crank Handle Asy.	3.45	SY318-03	SY318-02	QY318-06	KZ318-13	KZ318-02	JY318-06	KZ318-13	KZ318-02	KY318-03	
19	Crank Nut	.60	AZ003-01	←	←	←	←	←	←	←	←	
20	Ratchet Spring	.52	RY033-01	←	←	←	←	←	N/A	N/A	N/A	
21	Thumb Stop Spring	.78	QY038-01	←	←	←	←	←	KY038-01	←	←	
22	Crank Bushing	3.00	QY026-03	←	←	WY026-01	←	←	KY026-05	←	←	
23	Spool Lip Washer	.52	QY036-01	←	←	N/A			N/A			