



HT10, QG200, 2010
HT20, QG200, 2020, 2061 & KM20 (use 2020)
HT30, QG300, 2030, 2065 & PS3000 (use 2030)

SPECIFICATIONS:

Application:

HT10, QG200, 2010 - Lt FW
 HT20, QG200, 2020 - M FW
 HT30, QG300, 2030 - Hvy FW

Gear Ratio:

HT10, QG100, 2010 - 3.9:1
 HT20, QG200, 2020 - 3.6:1
 HT30, QG300, 2030 - 3.6:1

Line Capacity:

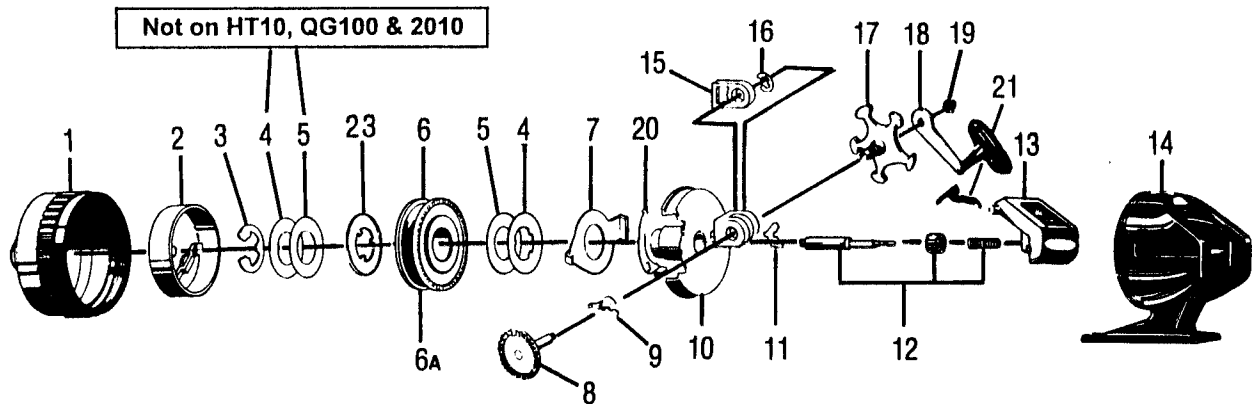
HT10, QG100, 2010 - 90 yds / 6 lb
 HT20, QG200, 2020 - 90 yds / 8 lb
 HT30, QG300, 2030 - 80 yds / 14 l

Weight

HT10, QG100, 2010 - 5.8 oz
 HT20, QG200, 2020 - 8.3 oz
 HT30, QG300, 2030 - 9.4 oz

FEATURES:

Wide Range Star Drag
 Helical Gears
 Silent Automatic Anti-Reverse
 Ball Bearing Drive (HT and QG reels)
 Color:
 HT reels - Cranberry
 QG reels - Black
 Prostaff reels - Dark Grey



Key No.	Description	Price	Part No. HT10	Part No. QG100	Part No. 2010	Part No. HT20	Part No. QG200	Part No.			Part No. 2030
								2020	Part No. HT30	Part No. QG300	
1	Front Cover	6.66	QY324-07	QY324-06	QY324-05	JY324-20	JY324-13	JY324-12	KY324-08	KY324-06	KY324-05
2	Spinnerhead Asy.	5.27	QT310-01	←	←	JY310-01	←	←	KY310-01	←	←
3	Spool Retainer Clip	.60	XZ034-01	←	←	JY034-01	←	←	GZ034-01	←	←
4	Spool Washr (metal)	1.01	BJ040-01	←	←	JY040-01	←	←	CJ040-01	←	←
5	Flat Washer	.40	BJ108-01	←	←	JY108-01	←	←	CJ108-01	←	←
6	Spool w/ line	6.64	QY321-01	←	←	JY321-01	←	←	KY321-01	←	←
6A	Spool (empty)	2.27	QY021-01	←	←	JY021-01	←	←	KY021-01	←	←
7	Clutch Ring	.94	QY027-01	←	←	NY027-01	←	←	KY027-01	←	←
8	Crank Shaft Asy.	3.33	QY308-01	←	←	JY308-01	←	←	KY308-04	←	KY308-04
9	Pawl Actuator	.46	JY061-01	←	←	←	←	←	←	←	←
10	Body Asy.	8.79	QY301-01	←	←	JY301-01	←	←	KY301-01	←	←
11	Anti-Reverse Pawl	.46	JY060-01	←	←	←	←	←	←	←	←
12	Center Shaft Asy.	4.03	QY315-01	←	←	JY315-02	←	JY315-01	KY315-02	←	KY315-01
13	Thumb Stop	1.06	QY009-02	TY009-01	←	JY009-02	KY009-01	←	JY009-02	KY009-01	←
14	Back Cover Asy.	2.25	QY323-07	QY323-06	QY323-05	JY323-09	JY323-06	JY323-06	KY323-08	KY323-07	KY323-06
15	Slide Drag Actuator	1.35	JY054-01	←	←	←	←	←	KY054-01	←	←
16	Retainer Clip	.40	JY121-01	←	←	←	←	←	←	←	←
17	Drag Star	.46	JY032-01	←	←	←	←	←	←	←	←
18	Crank Handle Asy.	3.45	SY318-03	SY318-02	QY318-06	KZ318-13	KZ318-02	JY318-06	KZ318-13	KZ318-02	KY318-03
19	Crank Nut	.60	AZ003-01	←	←	←	←	←	←	←	←
20	Ratchet Spring	.52	RY033-01	←	←	←	←	←	N/A	N/A	N/A
21	Thumb Stop Spring	.78	QY038-01	←	←	←	←	←	KY038-01	←	←
22	Crank Bushing	3.00	QY026-03	←	←	WY026-01	←	←	KY026-05	←	←
23	Spool Lip Washer	.52	QY036-01	←	←	N/A	←	←	N/A	←	←

MODEL INTRODUCED: HT-'98; QG-'93; Prostaff-'89	EFFECTIVE DATE OF PARTS LIST/DIAGRAM: August 1998	DISCONTINUED: HT-n/a; QG-'98; Others-n/a
--	--	--

Zebco, P.O. Box 270, Tulsa, Ok. 74101; 918-831-6965 Phone or 800-FIXREEL (349-7335) FAX

PLEASE ORDER BY PART NUMBER

Prices subject to change without notice and do not include postage and handling.

