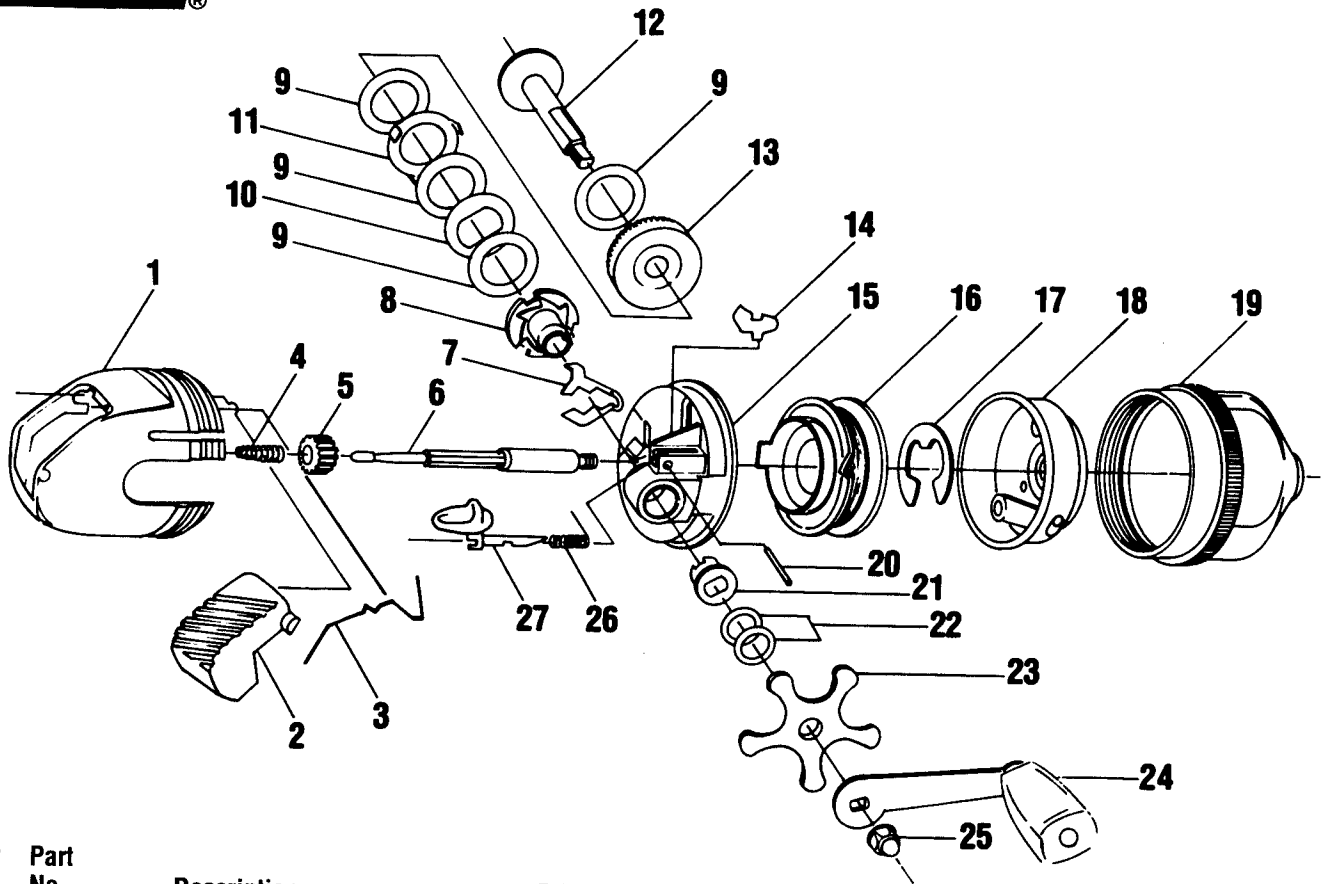


ZEBCO 2020DL



Key No.	Part No.	Description	Price
1	WE323	Back Cover Assy. (1,2,3)	6.61
2	KY009-1	Thumbstop	1.00
3	QY038	Thumbstop Spring	.49
4	JY020-2	Centershaft Spring	.31
6	WY315	Centershaft S/A (4,5,6)	3.58
7	WE061	A/R Actuator	.44
8	WE091	A/R Ratchet	.40
9	RR111-06A	Drag Washer	.45
10	WE040	Washer - Doubled	.77
11	WE108	Keyed Washer	.38
12	WE008	Crank Shaft	1.95
13	WE012	Crank Gear	2.15
14	JY060	A/R Pawl	.44
15	WY301-5	Body Assy. (20,26,27)	7.95
16	HE321-6HP	Wound Spool 6# H.P.	5.21
17	JY034	Spool Clip	.44
18	JY310	Spinnerhead Assembly	4.97
19	JY324-16	Front Cover Assembly	4.75
20	WE103-01A	Retainer Pin	.36
21	WE092	Cam	.38
22	WE031	Spring Washer	.45
23	WE032	Star Drag	.44
24	JY318-7	Handle Assembly	2.99
25	AZ003	Crank Nut	.56
26	WE064-01B	Depth Pin Spring	.26
27	WE019-01	Knob w/Insert	.77

Prices subject to change without notice. Prices do not include postage and handling.

PLEASE ORDER BY PART NUMBER

Rev. 5/93

Zebco Division Brunswick Corporation, Box 270, Tulsa, OK 74101 USA 918-836-5581

