



**HT10, QG200, 2010**  
**HT20, QG200, 2020, 2061 & KM20 (use 2020)**  
**HT30, QG300, 2030, 2065 & PS3000 (use 2030)**

**SPECIFICATIONS:**

**Application:**

HT10, QG200, 2010 - Lt FW  
 HT20, QG200, 2020 - M FW  
 HT30, QG300, 2030 - Hvy FW

**Gear Ratio:**

HT10, QG100, 2010 - 3.9:1  
 HT20, QG200, 2020 - 3.6:1  
 HT30, QG300, 2030 - 3.6:1

**Line Capacity:**

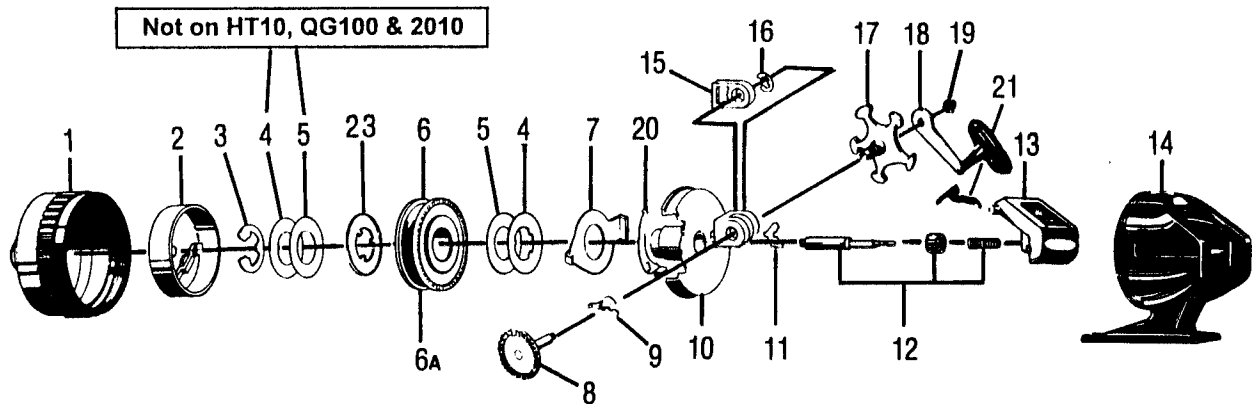
HT10, QG100, 2010 - 90 yds / 6 lb  
 HT20, QG200, 2020 - 90 yds / 8 lb  
 HT30, QG300, 2030 - 80 yds / 14 l

**Weight**

HT10, QG100, 2010 - 5.8 oz  
 HT20, QG200, 2020 - 8.3 oz  
 HT30, QG300, 2030 - 9.4 oz

**FEATURES:**

Wide Range Star Drag  
 Helical Gears  
 Silent Automatic Anti-Reverse  
 Ball Bearing Drive (HT and QG reels)  
 Color:  
 HT reels - Cranberry  
 QG reels - Black  
 Prostaff reels - Dark Grey



Key No.	Description	Price	Part No. HT10	Part No. QG100	Part No. 2010	Part No. HT20	Part No. QG200	Part No.		Part No.	
								2020	2061	HT30	QG300
1	Front Cover	6.66	QY324-07	QY324-06	QY324-05	JY324-20	JY324-13	JY324-12	KY324-08	KY324-06	KY324-05
2	Spinnerhead Asy.	5.27	QT310-01	←	←	JY310-01	←	←	KY310-01	←	←
3	Spool Retainer Clip	.60	XZ034-01	←	←	JY034-01	←	←	GZ034-01	←	←
4	Spool Washr (metal)	1.01	BJ040-01	←	←	JY040-01	←	←	CJ040-01	←	←
5	Flat Washer	.40	BJ108-01	←	←	JY108-01	←	←	CJ108-01	←	←
6	Spool w/ line	6.64	QY321-01	←	←	JY321-01	←	←	KY321-01	←	←
6A	Spool (empty)	2.27	QY021-01	←	←	JY021-01	←	←	KY021-01	←	←
7	Clutch Ring	.94	QY027-01	←	←	NY027-01	←	←	KY027-01	←	←
8	Crank Shaft Asy.	3.33	QY308-01	←	←	JY308-01	←	←	KY308-04	←	KY308-04
9	Pawl Actuator	.46	JY061-01	←	←	←	←	←	←	←	←
10	Body Asy.	8.79	QY301-01	←	←	JY301-01	←	←	KY301-01	←	←
11	Anti-Reverse Pawl	.46	JY060-01	←	←	←	←	←	←	←	←
12	Center Shaft Asy.	4.03	QY315-01	←	←	JY315-02	←	JY315-01	KY315-02	←	KY315-01
13	Thumb Stop	1.06	QY009-02	TY009-01	←	JY009-02	KY009-01	←	JY009-02	KY009-01	←
14	Back Cover Asy.	2.25	QY323-07	QY323-06	QY323-05	JY323-09	JY323-06	JY323-06	KY323-08	KY323-07	KY323-06
15	Slide Drag Actuator	1.35	JY054-01	←	←	←	←	←	KY054-01	←	←
16	Retainer Clip	.40	JY121-01	←	←	←	←	←	←	←	←
17	Drag Star	.46	JY032-01	←	←	←	←	←	←	←	←
18	Crank Handle Asy.	3.45	SY318-03	SY318-02	QY318-06	KZ318-13	KZ318-02	JY318-06	KZ318-13	KZ318-02	KY318-03
19	Crank Nut	.60	AZ003-01	←	←	←	←	←	←	←	←
20	Ratchet Spring	.52	RY033-01	←	←	←	←	←	N/A	N/A	N/A
21	Thumb Stop Spring	.78	QY038-01	←	←	←	←	←	KY038-01	←	←
22	Crank Bushing	3.00	QY026-03	←	←	WY026-01	←	←	KY026-05	←	←
23	Spool Lip Washer	.52	QY036-01	←	←	N/A	←	←	N/A	←	←

<b>MODEL INTRODUCED:</b> HT-'98; QG-'93; Prostaff-'89	<b>EFFECTIVE DATE OF PARTS LIST/DIAGRAM:</b> August 1998	<b>DISCONTINUED:</b> HT-n/a; QG-'98; Others-n/a
--	--	--

Zebco, P.O. Box 270, Tulsa, Ok. 74101; 918-831-6965 Phone or 800-FIXREEL (349-7335) FAX

PLEASE ORDER BY PART NUMBER

Prices subject to change without notice and do not include postage and handling.

