



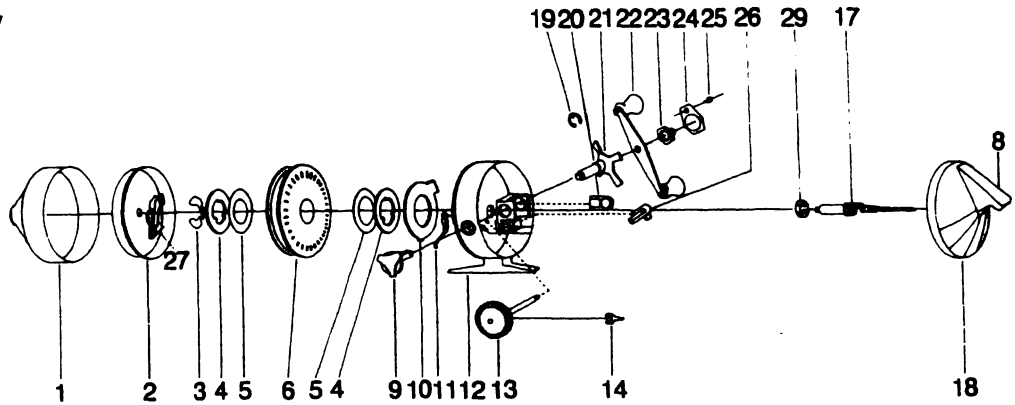
LEGACY 1L

SPECIFICATIONS:

Medium/Heavy Freshwater
 110 yds./14 lb. Line Capacity
 3.6:1 Ratio
 11.0 oz. Weight
 1 BB

FEATURES:

Helical-cut, extra-hard
 Magnum Gears
 Magnum Drag System
 Dual grip power handle
 Silent on/off anti-reverse
 Polished stainless-steel
 covers
 Cut-proof ceramic pickup pin
 Bait Alert alarm
 Color: Silver/Green



Key No.	Part No.	Description	Price	Key No.	Part No.	Description	Price
1	KZ324-05	Front Cover	3.65				
2	KZ310	Spinnerhead S/A	6.64				
3	RY034-01	Spool Retainer Clip	.45				
4	CJ040-01	Spool Washer (Metal)	.98				
5	CJ108-01	Flat Washer	.39				
6	KZ021	Spool	3.09				
	KZ321-01	Wound Spool w/14# Mono HP	6.08				
7	KY026-5	Crank Bushing	2.90				
8	KZ309-02	Thumbstop S/A	.80				
9	ME014-03	Bait Alert Knob	.75				
10	KZ027	Clutch Ring	.88				
11	RY033	Ratchet Spring	.50				
12	KZ301-05	Body S/A	8.95				
13	KY308-1	Crank Shaft S/A	3.30				
14	JY061	Pawl Actuator	.45				
17	KZ315-04	Center Shaft S/A	2.75				
18	KZ323-07	Back Cover Assy	6.00				
19	JY121-01	Retainer Clip	.39				
20	KZ054-01	Drag Actuator Slide	1.02				
21	JY032-03	Drag Star	1.00				
22	KZ318-11	Crank Handle S/A	2.50				
23	VY003-01	Crank Nut	.58				
24	VY056-01	Nut Lock	.26				
25	VY057	Screw	.21				
26	RY002-03	Anti-Reverse Knob	.35				
27	JY049-01	Pickup Pin Arm Spring	.45				
29	RY317-01	Ball Bearing	2.05				