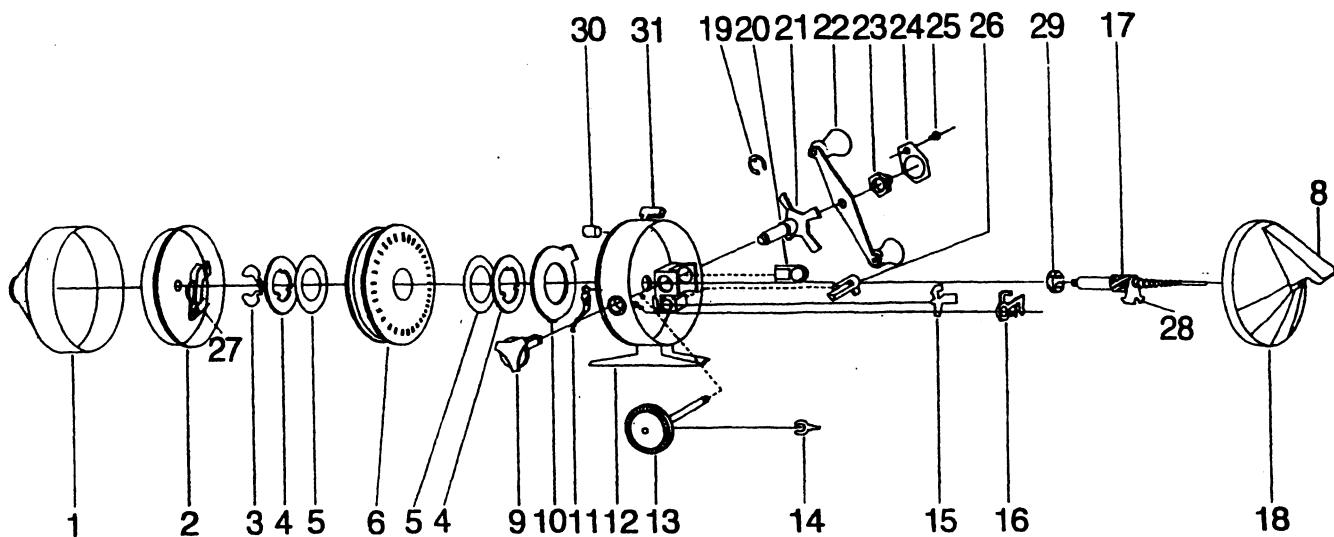


EBCO 1 CLASSIC



| Key No. | Part No. | Description | Price | Key No. | Part No. | Description | Price |
|---------|-----------|---------------------------|-------|---------|----------|-----------------------|-------|
| 1 | KZ324 | FRONT COVER | 5.78 | 26 | RY002 | ANTI-REVERSE KNOB | .74 |
| 2 | KZ310 | SPINNER HEAD S/A | 6.45 | 27 | JY049 | PICKUP PIN ARM SPRING | .44 |
| 3 | RY034-1 | SPOOL RETAINER CLIP | .44 | 28 | KZ065 | ACTUATOR | .68 |
| 4 | CJ040-1 | SPOOL WASHER (METAL) | .95 | 29 | AZ028 | BALL BEARING | 6.63 |
| 5 | CJ108-1 | FLAT WASHER | .38 | 30 | KZ169 | SPOOL LOCK PLUNGER | .62 |
| 6 | KZ021 | SPOOL | 3.00 | 31 | KZ164 | SPOOL LOCK LEVER | .42 |
| 6 | KZ321-14H | WOUND SPOOL W/14# MONO HP | 5.90 | 32 | KZ086 | DRIVE STUD | .36 |
| 7 | KY026-5 | CRANK BUSHING | 2.83 | | | | |
| 8 | KZ309 | THUMBSTOP S/A | 1.36 | | | | |
| 9 | KZ019 | BAIT ALERT KNB | .49 | | | | |
| 10 | KZ027 | CLUTCH RING | .85 | | | | |
| 11 | RY033 | RATCHET SPRING | .49 | | | | |
| 12 | KZ301 | BODY S/A | 12.59 | | | | |
| 13 | KY308-1 | CRANK SHAFT S/A | 3.20 | | | | |
| 14 | JY061 | PAWL ACTUATOR | .44 | | | | |
| 15 | KZ060 | ACTUATOR PAWL | .56 | | | | |
| 16 | KZ014 | BAIT CLICKER | .68 | | | | |
| 17 | KZ315 | CENTER SHAFT S/A | 3.80 | | | | |
| 18 | KZ323 | BACK COVER ASSY | 5.83 | | | | |
| 19 | JY121 | RETAINER CLIP | .38 | | | | |
| 20 | KZ054 | DRAG ACTUATOR SLIDE | .99 | | | | |
| 21 | KZ032 | DRAG STAR | 1.36 | | | | |
| 22 | KZ318-6 | CRANK HANDLE S/A | 3.69 | | | | |
| 23 | VY003 | CRANK NUT | .56 | | | | |
| 24 | VY056 | NUT LOCK | .25 | | | | |
| 25 | VY057 | SCREW | .20 | | | | |