



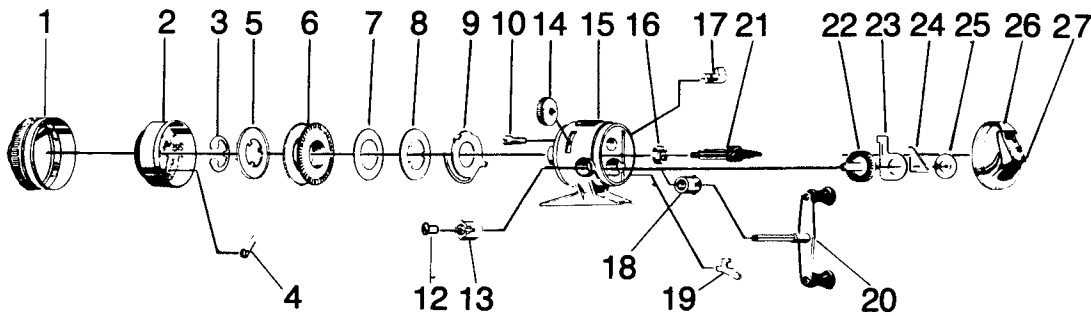
UL3E, UL3, 11L, 11, 11R, RL3

SPECIFICATIONS:

Application: Ultra Light FW
 Line Capacity: 60 yds / 4 lb
 Line Capacity: 40 yds / 6 lb (11 & RL3 only)
 Gear Ratio: 4.4:1
 Weight: 5 oz.

FEATURES:

Wide Range Star Drag
 Helical Gears
 Silent On/Off Anti-Reverse
 Ball Bearing Drive (UL3E, UL3, 11L)
 Color:
 UL3E - Gold Covers w/ Grey Body
 UL3, RL3 - Silver Covers w/ Grey Body
 11L - Silver Covers w/ DK Green Body
 11 - Black Covers w/ Black Body
 11R / RL3 - Silver Covers w/ Black Body



Key No.	Description	Price	Part No. UL3E	Part No. UL3	Part No. 11L	Part No. 11	Part No. 11R	Part No. RL3
1	Front Cover	2.73	BE324-08	BE324-11	←	BE324-13	BE324-14	BE324-05
2	Spinnerhead Asy.	5.02	BE310-01	←	←	←	←	←
3	Spool Clip	0.35	XZ034-01	←	←	←	←	←
4	Pick-up Pin Spring	0.33	AJ049-01	←	←	←	←	←
5	Spool Lip	1.31	BE036-01	←	←	←	←	←
6	Wnd Spool 4# H.P. Line	4.82	BE321-01	←	←	N/A	N/A	N/A
6	Wnd Spool 6# H.P. Line	4.82	N/A	N/A	N/A	BE321-02	←	←
6	Spool	1.82	BE021-01	←	←	←	←	←
7	Flat Washer	0.40	BJ108-01	←	←	←	←	←
8	Spool Washer	1.01	BJ040-01	←	←	←	←	←
9	Clutch Ring	1.44	BJ027-01	←	←	←	←	←
10	Clutch Screw	0.70	BJ054-02	←	←	←	←	←
12	Crank Rod Nut	0.84	BJ069-01	←	←	←	←	←
13	Crank Bushing	1.31	BJ026-01	←	←	←	←	←
14	Clutch Wheel	0.91	BJ032-01	←	←	←	←	←
15	Body	7.16	BE301-03	←	BE301-04	BE021-01	←	←
16	Center Shaft Bearing	1.65	KE317-01	←	←	BJ108-01	N/A	N/A
16	Center Shaft Bushing	0.91	N/A	N/A	N/A	BJ040-01	←	←
17	Anti-Reverse Actuator	1.16	BE002-01	←	BE002-02	BJ027-01	BE002-01	←
19	Anti-Reverse Pawl	0.97	BJ060-01	←	←	BJ054-02	←	←
20	Handle Asy.	2.52	BE318-06	←	BE318-04	BJ069-01	←	BE318-02
21	Center Shaft Asy.	4.57	BE315-01	←	←	BJ026-01	←	←
22	Crank Gear	2.21	BJ012-01	←	←	BJ032-01	←	←
23	Anti-Reverse Drag	0.91	BJ014-01	←	←	←	←	←
24	Anti-Reverse Pawl Spring	0.66	BE061-01	←	←	←	←	←
25	Flat Washer	0.33	BJ106-01	←	←	←	←	←
26	Back Cover	2.37	BJ023-05	←	BJ023-04	BE023-03	BJ023-01	←
27	Thumb Brake	1.31	BE009-01	←	BE009-03	BE009-02	←	←

MODEL INTRODUCED: UL3E, 11TL - '97; 11 - '98	EFFECTIVE DATE OF PARTS LIST/DIAGRAM: August 1998	DISCONTINUED: UL3, RL3 - '97
--	--	--

