



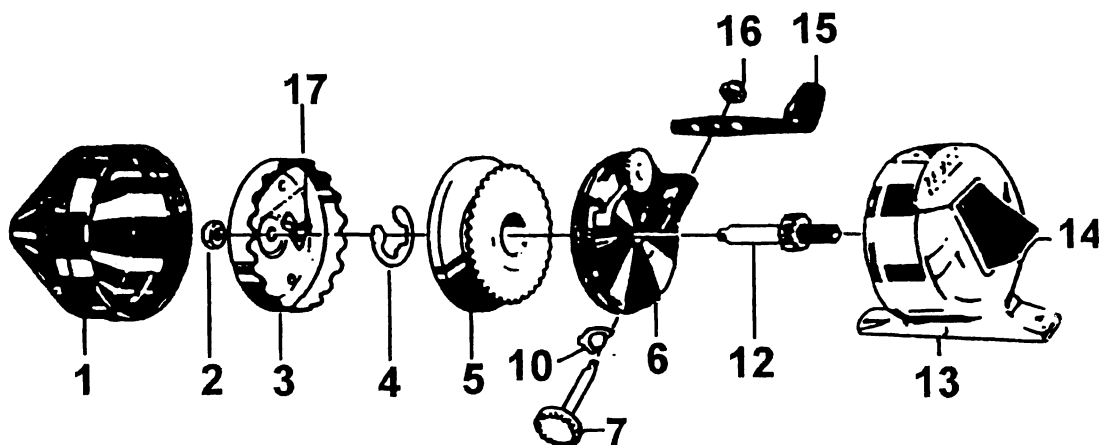
202 / 202EFA / 20250

SPECIFICATIONS:

Application: Medium FW
 Line Capacity: 70 yds./ 10 lb.
 Gear Ratio: 2.5:1
 Weight: 5.7 oz.

FEATURES:

Adjustable, spring - loaded front drag.
 All-metal helical gears
 Tough ABS Housing
 Stainless Steel, 20 point pickup system
 Color: 202E- Dark Green
 202EFA- Green
 20250- Black



Key No.	202E	202EFA	20250	Description	Price	Key No.	202E	202EFA	20250	Description	Price
1	XZ324-27	XZ324-28	XZ324-32	Front Cover S / A	1.87	10	XZ063-01	←	←	Anti-Reverse Pawl	0.34
2	JZ006-01	←	←	Spinnerhead Nut	0.45	12	XZ315-01	←	←	Center Shaft S / A	2.11
3	XZ310-01	←	←	Spinnerhead S / A	2.11	13	XZ323-23	←	←	Back Cover S / A	2.33
4	XZ034-01	←	←	Spool Clip	0.34	14	XZ009-02	←	←	Thumb Stop	0.64
5	XZ321-01	←	←	Wind Spool 10# Line	2.77	15	XZ318-24	←	←	Handle S / A	1.05
6	XZ001-01	←	←	Body - Molded	1.03	16	XZ003-01	←	←	Crank Nut	0.43
7	XZ308-01	←	←	Crank Shaft S / A	1.99	17	EZ027-01	←	←	Spinnerhead Spring	0.34

MODEL	202E - 1996	20250 - 1999	EFFECTIVE DATE OF	DISCONTINUED:
INTRODUCED:	202EFA - 1999		PARTS LIST/DIAGRAM: Nov. '98	N / A

