

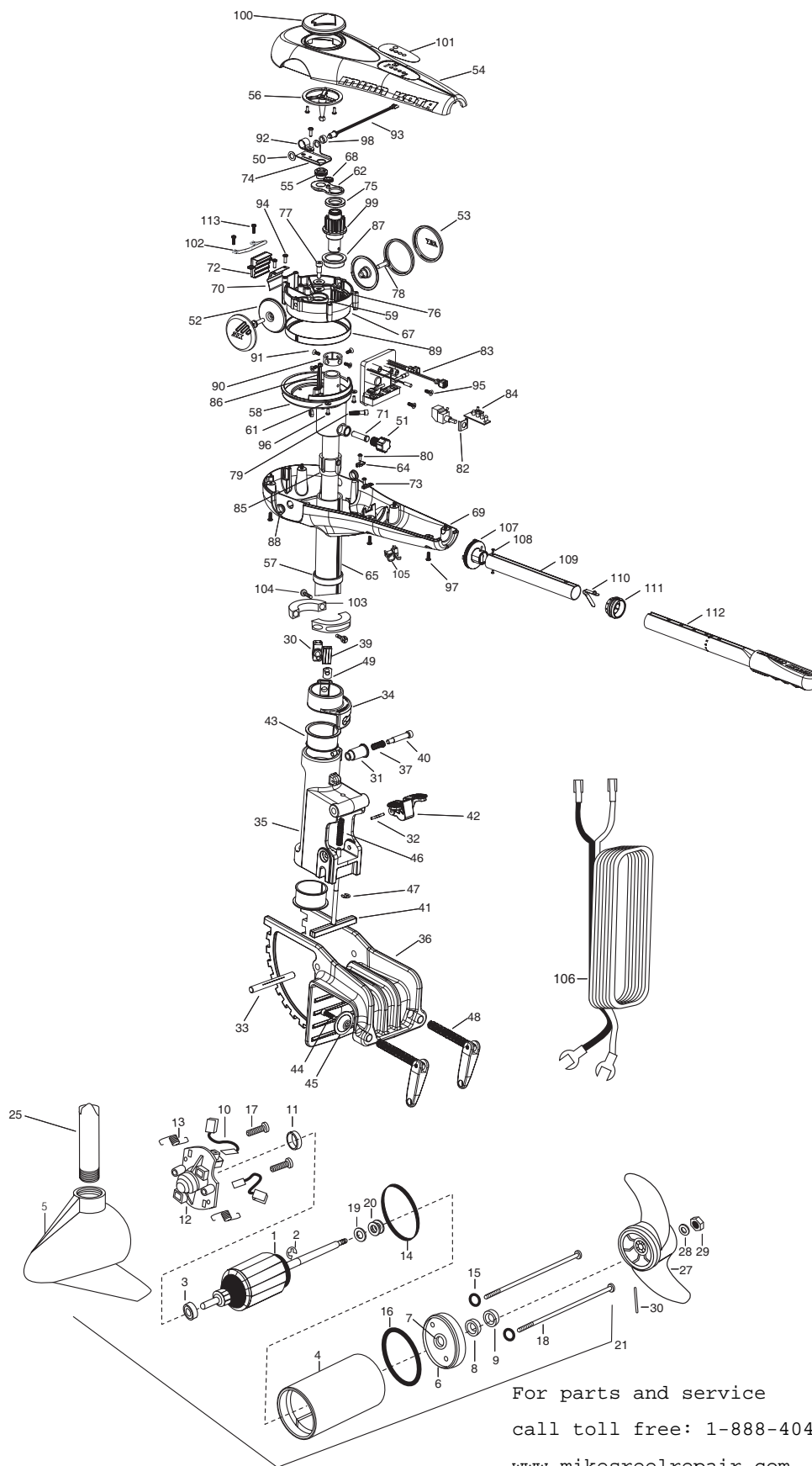
**VECTOR 65- 3X STEERING  
SUPER DUTY BRACKET  
65 LBS THRUST  
24 VOLT 38 AMPS  
42" SHAFT**

for use with motors with serial numbers beginning MKAE  
3-year warranty from the date of purchase

For parts and service

call toll free: 1-888-404-1119

[www.mikesreelrepair.com](http://www.mikesreelrepair.com)



For parts and service  
call toll free: 1-888-404-1119  
[www.mikesreelrepair.com](http://www.mikesreelrepair.com)

For parts and service

call toll free: 1-888-404-1119

www.mikesreelrepair.com

1	2-100-009	ARMATURE ASSEMBLY	43	2077310	BUSHING HINGE [2 EA.]	85	2075100	TENSION SLEEVE
2	140-010	BALL BEARING	44	2263452	SCREW 1/4-20 SHCS [2 EA.]	86	2076700	KEY - TUBE
3	788-015	RETAINING RING	45	2331700	WASHER CLAMP [2 EA.]	87	2077305	BEARING UPPER
4	2-200-005	HOUSING ASSEMBLY CENTER 3.62 TXT	46	2332700	SPRING	88	2077316	BUSHING PIVOT [2 EA.]
5	421-065	HOUSING -BRUSH END 3.62 TXT	47	2013000	E-RING	89	2077320	BEARING - GEAR CARRIER
6	2-400-101	PLAIN END HOUSING ASSEMBLY 3.625	48	2991301	CLAMP/HANDLE ASSEMBLY [2 EA.]	90	2071560	COLLAR TUBE
7	144-049	BEARING - FLANGE (SERVICE ONLY)	49	2263101	T-NUT	91	2223468	SCREW 8-32 [4 EA.]
8	880-003	**SEAL	50	2013100	SPEED NUT	92	2263201	CLAMP WIRE HARNESS
9	880-006	**SEAL WITH SHIELD	51	2070105	KNOB-TENSION	93	2264015	LIGHT INDICATOR
10	188-036	BRUSH ASSEMBLY [2.EA]	52	2070110	PIVOT KNOB [2 EA.]	94	2372100	SCREW 8-18 SS [2 EA.]
11	725-050	BRUSH RETENTION- PAPER TUBE	53	2070117	COVER-PIVOT KNOB [2 EA.]	95	2332101	SCREW 8-32 SS [2 EA.]
12	738-036	BRUSH PLATE W/HOLDER	54	2070201	COVER 3:1	96	2332103	SCREW 6-20 SS [5 EA.]
13	975-040	SPRING - TORSION [2.EA]	55	2070801	COUPLER SOCKET	97	2012100	SCREW 8-18 X 5/8"
14	337-036	**GASKET	56	2070810	COUPLER DRIVE	98	2071525	SPACER-INDICATOR LIGHT
15	701-008	**O-RING, THRU-BOLT [2.EA]	57	2071500	COLLAR LOWER SUPPORT	99	2992205	PINION - MAIN
16	701-081	**O-RING	58	2071512	YOKE-PIVOT	100	2998600	INDICATOR ASSEMBLY
17	830-007	SCREW-8-32 [2.EA]	59	2071710	WASHER NYLATRON [2 EA.]	101	2075603	DECAL COVER 65T
18	830-008	THRU-BOLT 10-32X9.205 [2.EA]	60	2071712	WASHER SS	102	2072815	BRACKET-TILT STOP
19	990-067	WASHER- STEEL THRUST	61	2071714	WASHER FLAT #6 [2 EA.]	103	2261622	HALF COLLAR [2 EA.]
20	990-070	WASHER - NYLATRON [2.EA]	62	2071900	IDLER PLATE	104	2263453	SCREW 1/4-20 X1" [2 EA.]
21	2098038	MOTOR ASSEMBLY 24V 3.62 VARS F/W	64	2071905	BRACKET- SENSOR SWITCH	105	2052900	STRAIN RELIEF
25	2072001	TUBE- COMPOSITE 3:1 42"	65	2072041	OUTER TUBE 3:1 42"	106	2090600	LEADWIRE
■	1378122	PROPELLER KIT (includes 26-29)	67	2072210	GEAR CARRIER	107	2990404	PIVOT HANDLE ASSEMBLY
26	2091150	PROPELLER W/WEDGE	68	2072215	GEAR- IDLER	108	2072102	SCREW #6 X 1/4" [2 EA.]
27	2151726	WASHER-5/16 SS	69	2072501	CONTROL BOX	109	2070425	HANDLE TUBE
28	2053101	NUT-PROP NYLOC	70	2072705	SPRING DETENT	110	2070411	LATCH-BUTTON
29	2092600	PIN-DRIVE	71	2072710	SPRING TENSION SLEEVE	111	2070010	BEARING
■	2991825	BRACKET/HINGE ASSEMBLY	72	2072810	DETENT BLOCK-TILT	112	2990931	HANDLE ASSEMBLY-EXT.
30	2011385	SCREW-TENSION	73	2072811	DETENT BLOCK-SWITCH	113	2332101	SCREW #8-32 X 1/2" SS [2 EA.]
31	2070100	KNOB ORIENTATION COLLAR	74	2072900	RETAINER COUPLER			
32	2070513	PIN HINGE ZINC	75	2073000	RING PRELOAD			
33	2070515	PIN PIVOT ZINC	76	2073100	HEX NUT-NYLOC [3 EA.]			
34	2071505	ORIENTATION COLLAR	77	2073400	SCREW 5/16" X 1/2" SHOULDER			
35	2071872	HINGE 3:1 BRACKET	78	2073408	SCREW [2 EA.]			
36	2071941	BRACKET FW BLACK	79	2073410	SCREW			
37	2072700	SPRING	80	2073414	SCREW 6-32 PPH [2 EA.]			
39	2072801	TENSION BLOCK	82	2074000	POT CLIP			
40	2073402	SCREW 5/16 X 1 1/4" SHOULDER	83	2074061	CONTROL BOARD ASSEMBLY			
41	2073603	T-BAR	84	2074071	BATTERY METER			
42	2077202	TILT LEVER						

**\*\*Seak & Oring Kit P/N 2888460** \* This item is part of an assembly. This item cannot be sold separately due to machining and /or assembly that is required.

P/N 2074932

REV.A 7-03

For parts and service

call toll free: 1-888-404-1119

www.mikesreelrepair.com

For parts and service  
call toll free: 1-888-404-1119  
www.mikesreelrepair.com

