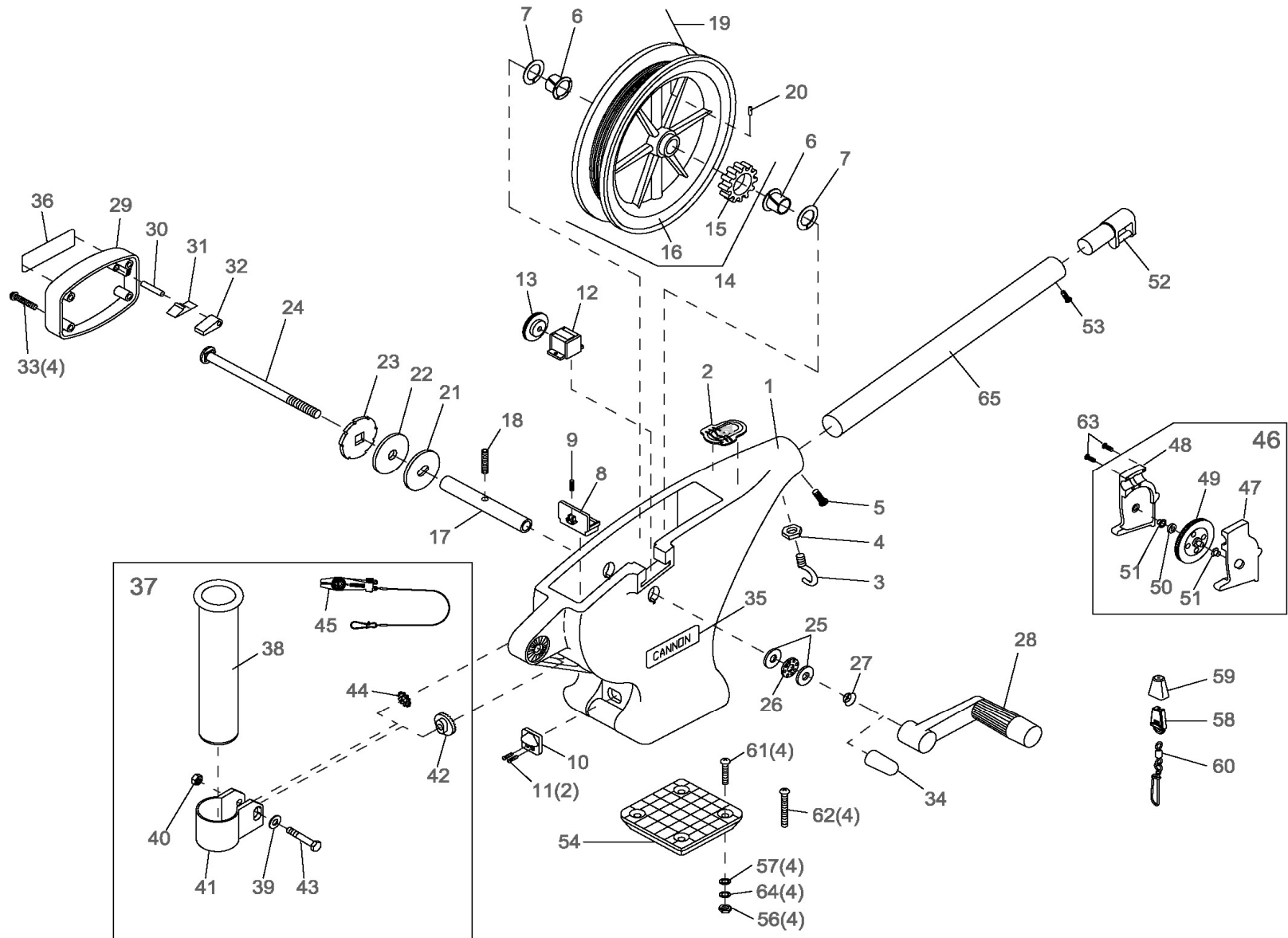




For Parts and Service  
Call 1-888-404-1119  
www.mikesreelrepair.com

# UNI-TROLL 5™

for use with "AH" serial numbers



For Parts and Service  
 Call 1-888-404-1119  
 www.mikesreelrepair.com

|    |         |                                      |    |         |                                    |    |         |  |
|----|---------|--------------------------------------|----|---------|------------------------------------|----|---------|--|
| 1  | 3330002 | FRAME - UNI-TROLL                    | 23 | 0467694 | BRAKE PLATE - RATCHET              | 45 | 2277002 | >UNIVERSAL LINE RELEASE                |
| 2  | 3327004 | DECAL - NOSE, UNI-TROLL              | 24 | 1000904 | SHAFT - RATCHET - UNI-TROLL        | 46 | 3992300 | SWIVEL HEAD ASSEMBLY                   |
| 3  | 9040040 | HOOK - 1/4" - 20 ROLLED              | 25 | 9010310 | WASHER - THRUST [2.EA]             | 47 | 0267001 | ▶SIDE PLATE (RH)                       |
| 4  | 2263102 | NUT - HEX 1/4"-20                    | 26 | 9010280 | BEARING - THRUST                   | 48 | 0267002 | ▶SIDE PLATE (LH)                       |
| 5  | 9280750 | SCREW - 1/4" - 20 (RH) x 3/4" PPH    | 27 | 9400040 | SPRING - HAND CRANK                | 49 | 0269726 | ▶PULLY - SWIVEL HEAD                   |
| 6  | 9010001 | BEARING - REEL SHAFT NYLINER [2.EA]  | 28 | 0902000 | CRANK HANDLE - UNI-TROLL           | 50 | 3397300 | ▶WASHER - .735 OD X .36 ID             |
| 7  | 9430003 | WASHER - 5/8" ID (NYLON) [2.EA]      | 29 | 3321001 | COVER - CLUTCH, ROUND (LEXAN)      | 51 | 9010070 | ▶HDW BEARING BRASS[2.EA]               |
| 8  | 3356050 | BASE LATCH                           | 30 | 9250003 | PIN - DOWEL 3/16" x 7/8" - RATCHET | 52 | 2216403 | BOOM END                               |
| 9  | 9400050 | SPRING - BASE LATCH                  | 31 | 9400070 | SPRING - DOG RATCHET               | 53 | 2372100 | SCREW - #8 x 5/8" PPHMS                |
| 10 | 3356052 | BASE LATCH TAB                       | 32 | 9100160 | DOG - RATCHET                      | 54 | 3307002 | LOW PROFILE MOUNTING BASE (LEXAN)      |
| 11 | 9370010 | SCREW - #4 x 1/2" PPH [2.EA]         | 33 | 9370001 | SCREW - #10 x 1-1/4" PPHSMS [4.EA] | 55 | 2994894 | *BAG ASSEMBLY, MOUNTING (KIT #4)       |
| 12 | 0220477 | DEPTH COUNTER - 3 DIGIT              | 34 | 9100721 | RED THREAD CAP                     | 56 | 2263102 | NUT - HEX 1/4"-20 [4.EA]               |
| 13 | 3333003 | GEAR - COUNTER, UNI-TROLL            | 35 | 3395631 | DECAL - CANNON SMALL               | 57 | 2371712 | WASHER - 9/32" FLAT [4.EA]             |
| 14 | 3397913 | REEL ASSEMBLY - UNI-TROLL HIGH SPEED | 36 | 3395630 | DECAL - CANNON LARGE               | 58 | 9100100 | TERMINATOR                             |
| 15 | 3333004 | >GEAR - REEL, UNI-TROLL              | 37 | 2477001 | BAG ASSY - SINGLE ROD HOLDER       | 59 | 9100101 | TERMINATOR CUSHION                     |
| 16 | 3397904 | ▶REEL - ROUGH 5.75"                  | 38 | 0290796 | >TUBE - ROD HOLDER                 | 60 | 9100620 | TERMINATOR SNAP & SWIVEL               |
| 17 | 1080001 | SHAFT - REEL, UNI-TROLL              | 39 | 2151726 | >WASHER - 5/16" FLAT               | 61 | 9280713 | BOLT - TRUSS 1/4" - 20 x 1-1/2" [4.EA] |
| 18 | 3393412 | SCREW - SET 5/16"-18 x 1" (REEL)     | 40 | 2383106 | >NUT - 5/16"-18 SS                 | 62 | 9280725 | BOLT - TRUSS 1/4" - 20 x 2-1/2" [4.EA] |
| 19 | 3775396 | SPOOL CABLE SS [200.FT]              | 41 | 3319005 | >CLAMP - ROD HOLDER w/ SLOT        | 63 | 9370010 | SCREW - #4 x 1/2" PPH [3.EA]           |
| 20 | 9100070 | CABLE LEADER SLEEVE                  | 42 | 3325002 | >DISK - ROD HOLDER                 | 64 | 9950357 | WASHER - LOCK 1/4" SPLIT [4.EA]        |
| 21 | 0467695 | BRAKE PLATE - REEL                   | 43 | 9040310 | >BOLT - HEX 5/16"-18 x 2"          | 65 | 2290829 | 24" BOOM - HEAVY DUTY                  |
| 22 | 1264670 | CLUTCH PAD                           | 44 | 9430160 | >WASHER - STAR 5/16"               |    |         |  |

> PART OF ASSEMBLY

▶ ITEM CANNOT BE SOLD SEPARATELY

\* PARTS USED BUT NOT SHOWN