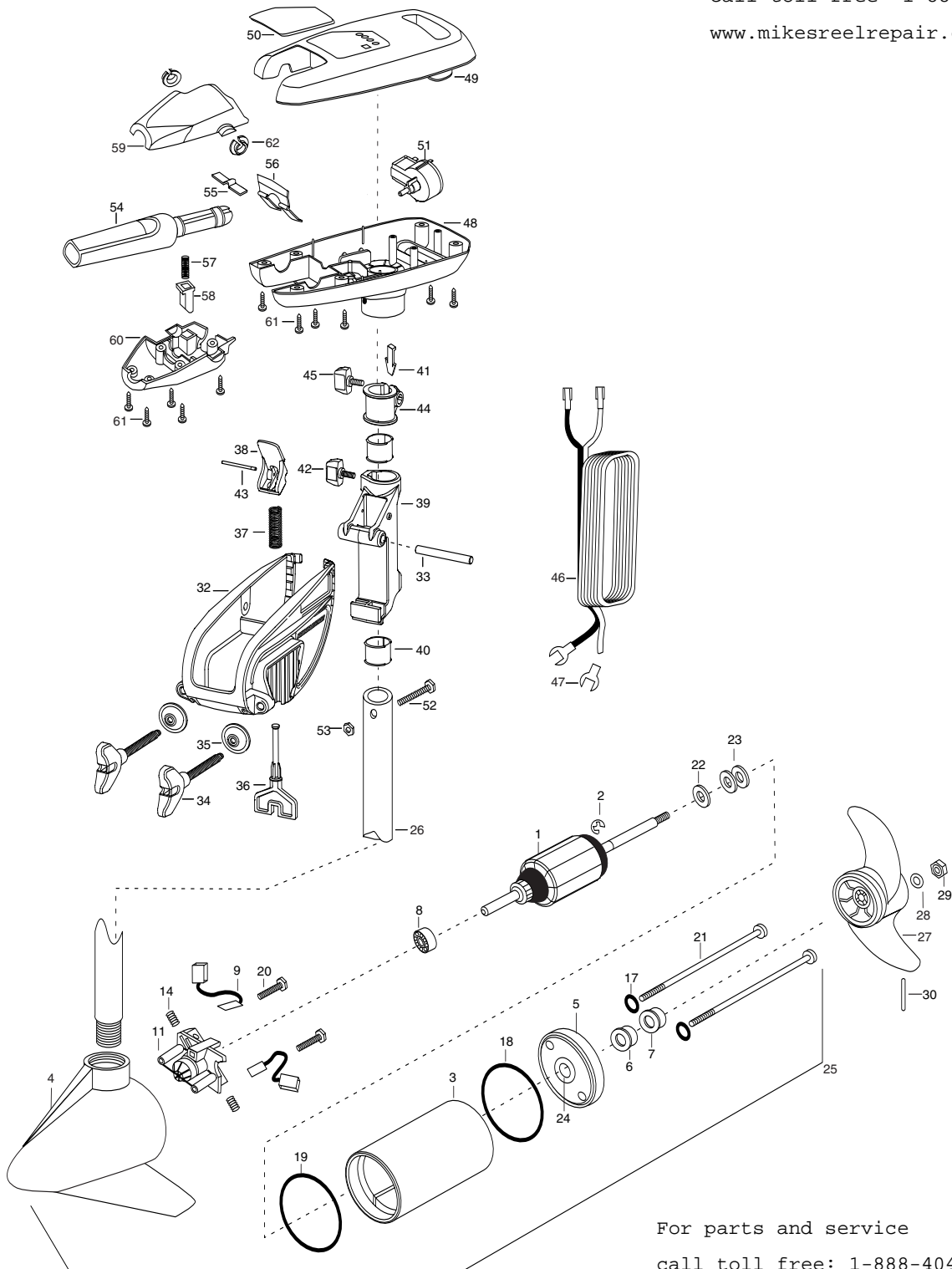


**TURBO 65**  
**36 LBS THRUST**  
**12 VOLT 34 AMPS**  
**36" SHAFT**

for use with "AH" serial numbers  
2-year warranty from the date of purchase

For parts and service  
call toll free: 1-888-404-1119  
[www.mikesreelrepair.com](http://www.mikesreelrepair.com)



For parts and service  
call toll free: 1-888-404-1119  
[www.mikesreelrepair.com](http://www.mikesreelrepair.com)

1 2-100-278 ARMATURE ASSEMBLY 12V 3.25  
 2 788-015 RETAINING RING  
 3 2-200-079 CENTER HOUSING ASSEMBLY 3.25 TXT  
 4 2-300-132 BRUSH END HOUSING ASSEMBLY 3.25 SP.CO  
 5 2-400-128 HOUSING- PLAIN END ASSEMBLY  
 6 880-003 SEAL  
 7 880-006 SEAL W/SHIELD  
 8 140-010 BEARING-BALL  
 9 188-052 BRUSH ASSEMBLY [2.EA]  
 11 738-030 BRUSH PLATE W/HOLDER 3.25 ASSEMBLY  
 14 975-032 SPRING- COMPRESSION  
 17 701-007 O-RING [2.EA]  
 18 701-039 O-RING MK406460  
 19 701-041 O-RING  
 20 830-001 SCREW- SELF THREAD 8-32X1.7 [2.EA]  
 21 830-078 THRU BOLT 8-32X8.96 [2.EA]  
 22 990-067 WASHER- STEEL  
 23 990-070 WASHER- NYLATRON [2.EA]  
 24 144-049 BEARING- FLANGE- SERVICE ONLY  
 25 2069241 MOTOR ASSEMBLY 12V 3.25 5SPC TXT  
 26 2032052 TUBE (COMPOSITE) 36"  
 ■ 1378126 PROP KIT  
 27 2061125 PROP- W.WEDGE  
 28 2151726 WASHER- 5/16 STD SS  
 29 2053101 NUT-PROP NYLOC  
 30 2092600 PIN-DRIVE (SS)  
 ■ 2771818 BRACKET & HINGE ASSEMBLY  
 ■ 2771910 BRACKET W/CLAMP SCREW ASSEMBLY  
 (INCL.32,34,35)  
 \*32 2061910 BRACKET PLASTIC  
 33 2060510 PIN-HINGE- ENDURA  
 \*34 2061300 SCREW- CLAMP

\*35 2011710 WASHER- CLAMP SCREW 1.5OD  
 ■ 2881300 CLAMP SCREW, WASHER, RETAINER KIT  
 36 2063605 T-BAR PLASTIC  
 37 2062706 SPRING- T-BAR ENDURA  
 38 2067201 LEVER- TILT BLACK  
 39 2061810 HINGE-PLASTIC  
 40 2037301 BUSHING-HINGE [2.EA]  
 41 2062800 TENSION BLOCK- SNAP IN  
 42 2011385 SCREW-TENSION/NEW KNOB  
 43 2060515 PIN- TILT LEVER  
 44 2061520 COLLAR-DEPTH ((ENDURA)  
 45 2011365 SCREW-COLLAR/NEW KNOB  
 46 2050609 LEADWIRE ( 10 GA SPADE TERM )  
 47 2020702 SPADE TERMINAL 10GA. [2. EA]  
 48 2062551 CONTROL BOX W/HAND  
 49 2060281 CONTROL BOX COVER- ( BLACK )  
 50 2065684 DECAL COVER-65T  
 51 2064023 SWITCH-FWD/REV -5 SP  
 52 2033400 SCREW-10-24 X 1-3/4  
 53 2013110 NUT-HEX 10-24 ZCP  
 54 2990912 HANDLE ASSEMBLY W/U-JOINT 5SP  
 55 2302742 SPRING-DETENT (OFF) (SS)  
 56 2302743 SPRING-DETENT ( HANDLE )  
 57 2302745 SPRING-RELEASE BUTTON (SS)  
 58 2303720 RELEASE BUTTON-HANDLE  
 59 2060408 HANDLE ( TOP HALF )  
 60 2060415 HANDLE ( LOWER HALF )  
 61 2303412 SCREW-6-20 X 5/8 SELF TAP [11. EA]  
 62 2060005 BEARING-HANDLE PIVOT [2. EA]

For parts and service

call toll free: 1-888-404-1119

[www.mikesreelrepair.com](http://www.mikesreelrepair.com)

For parts and service  
call toll free: 1-888-404-1119  
[www.mikesreelrepair.com](http://www.mikesreelrepair.com)

