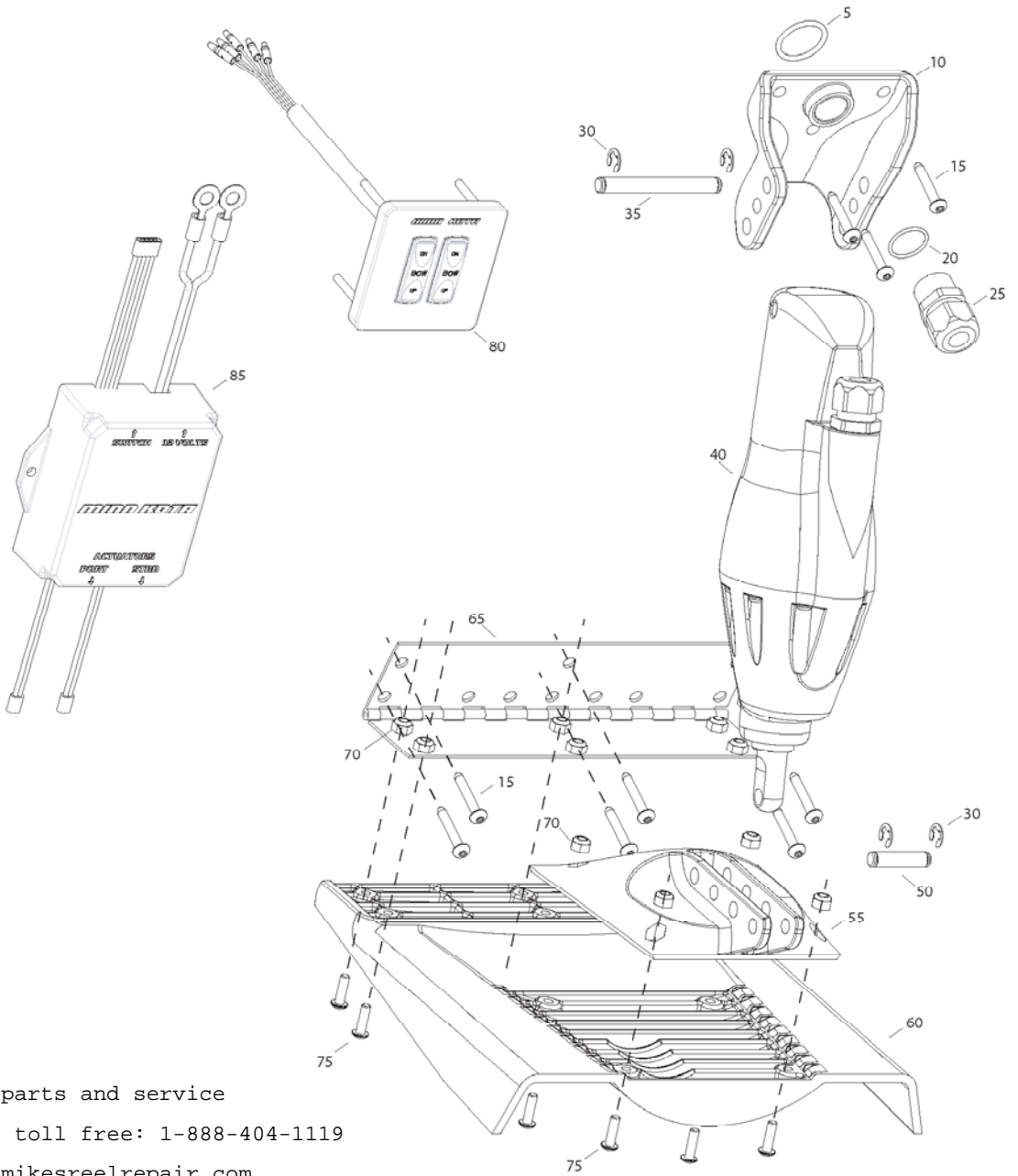


# Trim Tab Schematic



For parts and service  
 call toll free: 1-888-404-1119  
[www.mikesreelrepair.com](http://www.mikesreelrepair.com)

Item	P/N	Description	Qty	Item	P/N	Description	Qty
5	2374613	O-ring, upper mount	1	65	2371800	Hinge, 9" [included in 60]	1
10	2371906	Bracket, mounting, transom	1		2371801	Hinge, 12" [included in 60]	1
15	2373490	Screw 1/4 - 14 x 1 1/4	9		2371802	Hinge, 18" [included in 60]	1
20	2374631	O-ring, Sealcon	1	70	2333101	Nut, 10-24 Nylock	as required
25	2374630	Fitting - NPT 1/2"	1	75	2373406	Screw, 10-24 x 5/8	as required
30	2263006	E-ring, 5/16 ss	1	80	2994042	Soft rocker switch assembly	1
35	2372640	Pin, upper mount	1	85	2994077	Rocker switch control module	1
40	2992801	Actuator assembly, standard	1				
	2992805	Actuator assembly, short	1				
50	2262665	Pin, lower mount	1				
55	2371908	Mount, lower	1				
60	2778700	Tab, 9x9 assembly [55-75]	1				
	2778701	Tab, 9x12 assembly [55-75]	1				
	2778702	Tab, 9x18 assembly [55-75]	1				
	2778710	Tab, 12x9 assembly [55-75]	1				
	2778711	Tab, 12x12 assembly [55-75]	1				
	2778712	Tab, 12x18 assembly [55-75]	1				

\* This item is part of an assembly. This item cannot be sold separately due to machining and /or assembly that is required.

**\*\*NOTE TO INSTALLER:** ABYC-E11 Requirements dictate that a 15A breaker be placed in line with each individual actuator and a 30A breaker at the power lead of the Rocker Switch Control Module. These breakers must be provided by the installer. See the wiring diagram below for recommended placement.

### Basic Soft Rocker Switch Trim Tab System

Basic trim tab wiring configuration  
Soft rocker Switch

