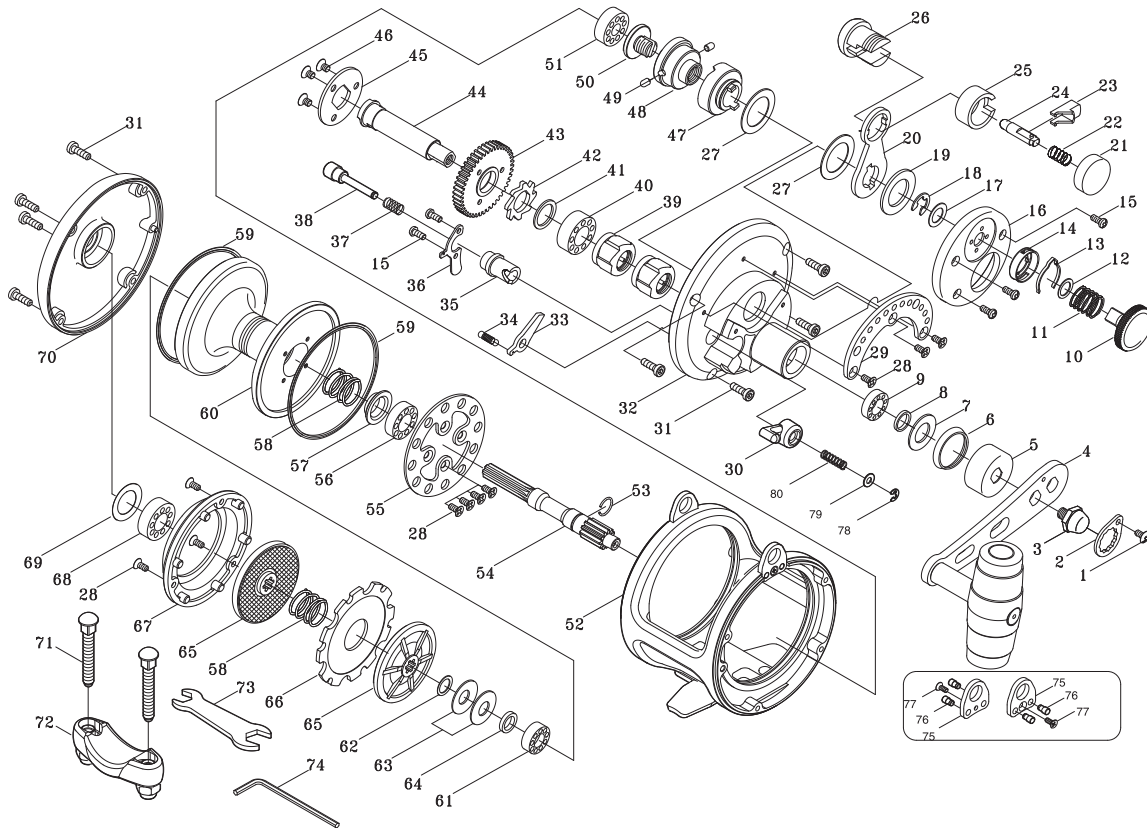




SALTWATER REEL

TICA TEAM

ST458R / ST558R
(GOLDEN SERIES)

| Key NO. | Parts No. | Parts name | Key NO. | Parts No. | Parts name |
|---------|------------|---------------------------------|---------|---------------|--------------------------------|
| 1 | 2E2-006-01 | B26M-050 SCREW | 44 | 2M3-035-01 | GEAR SHAFT |
| 2 | 2F6-043-01 | ROTOR NUT HOLDING PLATE | 45 | 2F6-039-01 | COUPLING PLATE |
| 3 | 2E3-053-01 | HANDLE NUT | 46 | 2E2-058-01 | F30M-045 SCREW |
| 4 | 2YH-066-01 | HANDLE TOTAL ASSEMBLY | 47 | 2A2-022-01 | DRAG CAM |
| 5 | 2F5-062-01 | DRIVE GEAR SHAFT COVER | 48 | 2F8-017-01 | BEARING HOLDER |
| 6 | 2E9-006-01 | O RING | 49 | 2P1-018-01 | DRAG CAM PIN |
| 7 | 2W1-154-01 | 101-180 WASHER | 50 | 2E0-017-01 | PRESET SCREW |
| 8 | 2C1-075-01 | COLLAR | 51 | 2Z1-036-05 | 617-6 BALL BEARING |
| 9 | 2Z1-023-05 | 814-4 BALL BEARING | 52 | 2YB-170-05 | BODY ASSEMBLY |
| 10 | 2D1-031-01 | PRESET DRAG KNOB | 53 | 2E4-025-01 | BEARING RETAINER |
| 11 | 2Q1-089-01 | COMPRESSION SPRING | 54 | 2G2-088-01 | PINION GEAR |
| 12 | 2W1-182-01 | 071-100 WASHER | 55 | 2F3-028-01 | CLICK PLATE |
| 13 | 2L3-035-01 | CLICK LEAF SPRING | 56 | 2Z1-035-05 | 917-5 BALL BEARING |
| 14 | 2F8-085-01 | CLICK LEAF SPRING HOLDER | 57 | 2C1-050-01 | PRESSURE RELEASE SPRING COLLAR |
| 15 | 2E2-037-01 | A26M-060 SCREW | 58 | 2Q1-068-01 | DRAG SPRING |
| 16 | 2F5-121-01 | FIGHTING LEVER COVER | 59 | 2E9-011-01 | WATER PROOF RING |
| 17 | 2W1-077-01 | 075-140 WASHER | 60 | 2S1-214-01 | SPOOL |
| 18 | 2E5-018-01 | E6,0 RETAINER | 61 | 2Z1-003-05 | 714-5 BALL BEARING |
| 19 | 2W1-153-01 | 140-226 WASHER | 62 | 2W1-078-01 | 072-100 WASHER |
| 20 | 2D4-013-01 | DRAG LEVER | 63 | 2L1-006-01 | SPRING WASHER |
| 21 | 2F5-120-01 | BUTTON CAP | 64 | 2C1-072-01 | COLLAR |
| 22 | 2Q1-028-01 | BUSH BUTTON SPRING | 65 | 2YD-039-01 | BRAKE DISC ASSEMBLY |
| 23 | 2S3-014-01 | PUSH BUTTON | 66 | 2W5-028-01 | DRAG PLATE |
| 24 | 2YP-001-01 | CLICK PIN ASSEMBLY | 67 | 2F5-112-01 | BRAKE DISC COVER |
| 25 | 2C1-074-01 | SPACER | 68 | 2Z1-025-05 | 719-6 BALL BEARING |
| 26 | 2F8-076-01 | CLICK HOLD | 69 | 2W1-163-01 | 120-188 WASHER |
| 27 | 2W1-074-01 | 147-226 WASHER | 70 | 2YF-076-08 | LEFT SIDE COVER ASSEMBLY |
| 28 | 2E2-014-02 | F26M-060 SCREW | 71 | 2E2-081-01 | X50M-310 SCREW |
| 29 | 2F5-066-01 | DRAG LEVER QUADRANT | 72 | 2YF-138-01 | ROD CLAMP ASSEMBLY |
| 30 | 2F7-005-01 | CLICK LEVER ASSY | 73 | 2X3-010-01 | WRENCH |
| 31 | 2E2-064-01 | H30M-100 SCREW | 74 | 2X3-009-01 | HEX WRENCH |
| 32 | 2YF-039-01 | RIGHT SIDE COVER ASSEMBLY | 75 | 2F6-103-01 | HARNES LUG |
| 33 | 2A4-049-01 | ANTI-REVERSE PAWL | 76 | 2P2-018-01 | BODY COVER PIN |
| 34 | 2Q2-009-01 | CLICK PAWL SPRING | 77 | 2E2-030-02 | F20M-050 SCREW |
| 35 | 2C1-054-01 | CLICK PIN BUSHING | 78 | 2E5-006-01 | E2.5 RETAINER |
| 36 | 2F6-038-01 | HOLDING PLATE | 79 | 2W1-204-01 | 034-065 WASHER |
| 37 | 2Q1-078-01 | CLICK BUTTON SPRING | 80 | 2Q1-102-01 | CLICK PLUNGER SPRING |
| 38 | 2P1-062-01 | CLICK PLUNGER | | | |
| 39 | 2YZ-007-01 | ONE-WAY CLUTCH BEARING ASSEMBLY | ST558R | SPECIAL PARTS | |
| 40 | 2Z1-034-05 | 1019-7 BALL BEARING | 52 | 2YB-082-05 | BODY ASSEMBLY |
| 41 | 2W1-152-01 | 111-146 WASHER | 54 | 2G2-062-01 | PINION GEAR |
| 42 | 2A3-022-01 | RATCHET | 60 | 2S1-096-01 | SPOOL |
| 43 | 2G1-022-01 | DRIVE GEAR | 70 | 2YF-076-06 | LEFT SIDE COVER ASSEMBLY |