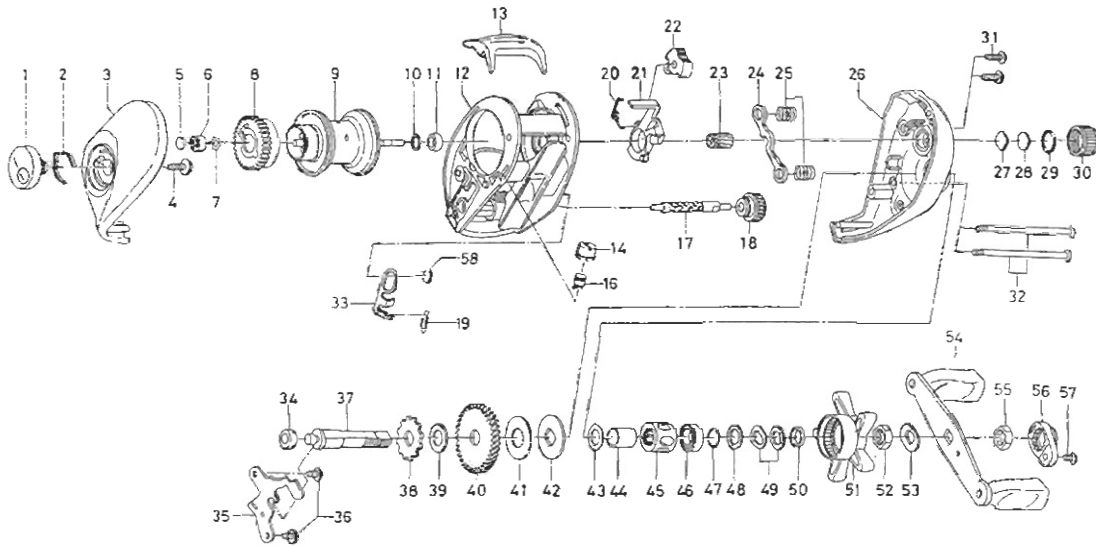


TRIFORCE-X150iV / 153iV



Key No.	Parts No.	Parts Name
1	F40-3613	BRAKE ADJ KNOB
2	F03-2401	BRAKE CLICK SPRING
3	F40-3309	L/S PLT
4	B84-2102	BRAKE ADJ KNOB SCREW
5	374-9102	SPACER A
6	F40-3701	BUSHING A
7	F41-2301	BEARING RET
8	E23-9501	MAGNET HOLDER
9	F43-4201	SPOOL
10	F45-0601	BUSHING RET
11	E35-1501	BUSHING B
12	F61-6401	FRAME
13	F40-2001	CLUTCH LEVER
14	F40-2801	PAWL CAP
16	F51-6501	LINE GUIDE PAWL
17	F51-0301	WORM SHAFT
18	F06-1301	WORM SHAFT GEAR
19	F63-9901	CLUTCH TRIP PLT SPRING
20	E24-9001	CLUTCH CAM SPRING
21	E23-7401	CLUTCH CAM
22	E24-9101	FLIPPING CAST SELECTOR
23	F40-9202	PINION GEAR
24	E23-7701	YOKE
25	E16-7101	YOKE SPRING
26	F40-7817	R/S PLT
27	B17-5401	SPOOL ADJ CAP METAL
28	B17-5503	SPACER B
29	171-5201	O RING
30	F40-3001	CAST CONTROL CAP
31	E33-0401	SET PLT SCREW
32	E28-4901	R/S PLT SCREW
33	F42-8801	CLUTCH TRIP PLT

Key No.	Parts No.	Parts Name
34	B55-0301	BUSHING C
35	F43-9701	DRIVE SHAFT RET
36	F21-2201	DRIVE SHAFT RET SCREW
37	F40-2301	DRIVE SHAFT
38	E32-7701	A/R RATCHET
39	375-7103	DRIVE SHAFT WASHER
40	F40-2501	DRIVE GEAR
41	F60-2401	DRAG WASHER
42	B36-0303	KEY WASHER
43	E42-5401	SPACING SLEEVE A
44	F40-7901	GEAR SHAFT COLLAR
45	F40-8001	ROLLER CLUTCH
46	F05-5501	BALL BEARING
47	B55-3801	BEARING WASHER A
48	373-7810	BEARING WASHER B
49	150-8901	DRAG SPRING WASHER
50	B97-4901	SPACING SLEEVE B
51	F40-3201	STAR DRAG
52	B43-3601	DRAG NUT
53	150-9001	FRICTION WASHER
54	F61-9101	HANDLE
55	B43-3601	HANDLE NUT
56	F05-4401	HANDLE NUT RET
57	351-1803	HANDLE NUT PLT SCREW
58	F44-0201	CLUTCH TRIP PLT RET

TF-X153iV

Key No.	Parts No.	Parts Name
9	F62-9901	SPOOL
12	F61-6501	FRAME