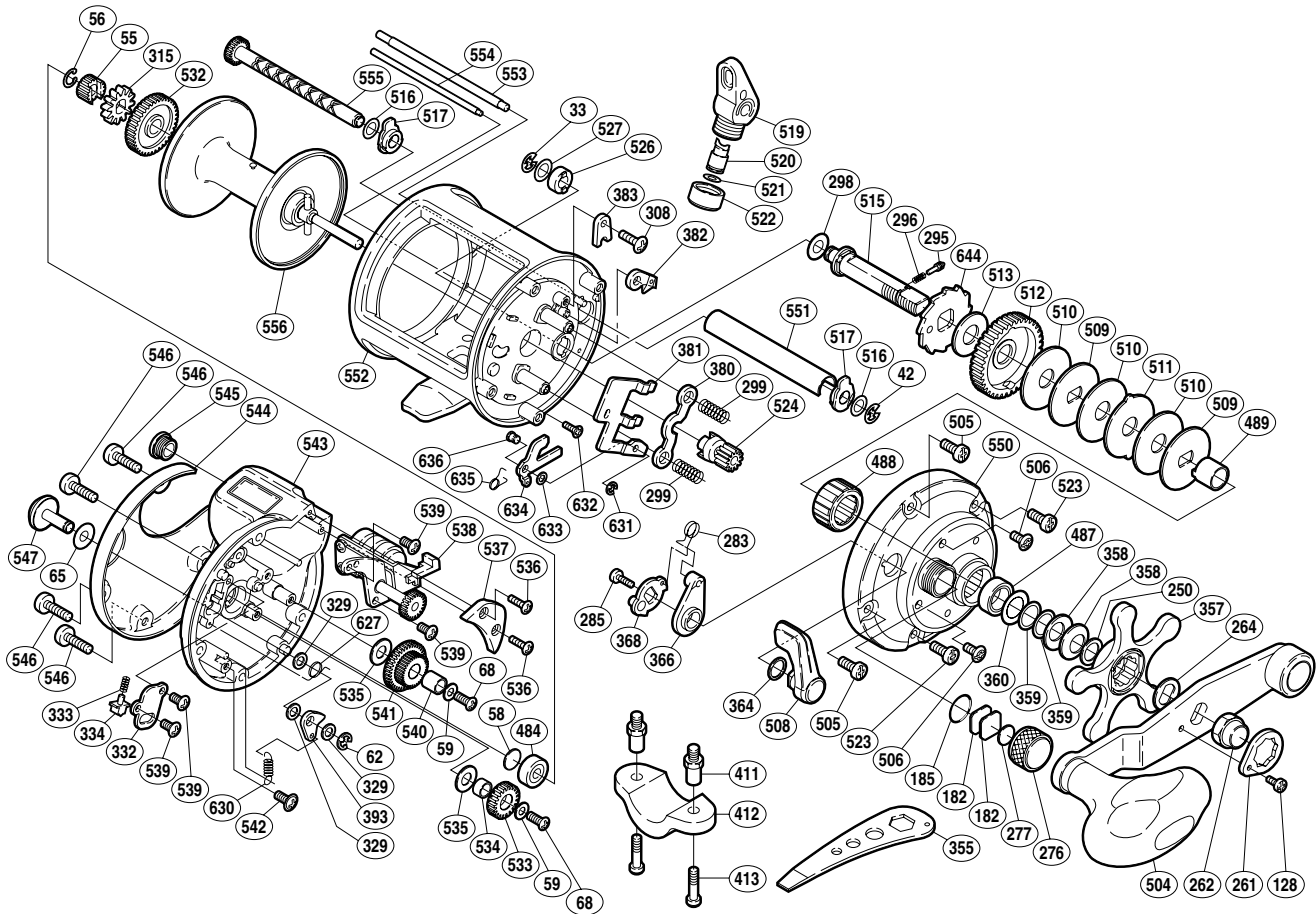


# SHIMANO®

## TEKOTA

## TEK-600LC



Part No.	Description	Part No.	Description	Part No.	Description
TGT0033	Drive Shaft Retainer	TGT0366	Eccentric Cam Bushing	TGT0536	Left Side Plate Seal Screw
TGT0042	Worm Shaft Retainer	TGT0368	Clutch Cam	TGT0537	Left Side Plate Seal
TGT0055	Idle Gear "A"	TGT0380	Yoke	TGT0538	Counter Assembly
TGT0056	Idle Gear "A" Retainer	TGT0381	Yoke Plate	TGT0539	Multi-Purpose Screw
TGT0058	Spacer "B"	TGT0382	Anti-Reverse Pawl	TGT0540	Idle Gear "D" Support
TGT0059	Lock Washer	TGT0383	Anti-Reverse Pawl Keeper	TGT0541	Idle Gear "D"
TGT0062	Click Pawl Retainer	TGT0393	Click Pawl	TGT0542	Click Pawl Spring Screw
TGT0065	Spacer (A)	TGT0484	Ball Bearing	TGT0543	Left Side Plate
TGT0068	Idle Gear Screw	TGT0487	Ball Bearing	TGT0544	Left Side Plate Cover
TGT0128	Handle Nut Plate Screw	TGT0488	Roller Clutch Bearing	TGT0545	Maintenance Cap
TGT0182	Cast Control Spacer (A)	TGT0489	Roller Clutch Inner Tube	TGT0546	Left Side Plate Screw
TGT0185	"O" Ring	TGT0504	Handle Assembly	TGT0547	Click Button
TGT0250	Star Drag Washer	TGT0505	Right Side Plate Screw (A)	TGT0550	Right Side Plate
TGT0261	Handle Nut Plate	TGT0506	Right Side Plate Screw (B)	TGT0551	Level Wind Guard
TGT0262	Handle Nut	TGT0508	Clutch Lever	TGT0552	One-Piece Frame
TGT0264	Drive Shaft Shield	TGT0509	Key Washer (B)	TGT0553	Stabilizer Bar "A"
TGT0276	Cast Control Spacer	TGT0510	Drag Washer (B)	TGT0554	Stabilizer Bar "B"
TGT0277	Cast Control Spacer (B)	TGT0511	Eared Washer (A)	TGT0555	Worm Shaft
TGT0283	Clutch Spring	TGT0512	Drive Gear	TGT0556	Spool Assembly
TGT0285	Clutch Lever Screw	TGT0513	Drag Washer (A)	TGT0627	Click Force Spring
TGT0295	Click Pin	TGT0515	Drive Shaft	TGT0630	Click Pawl Spring
TGT0296	Click Spring	TGT0516	Worm Shaft Spacer	TGT0631	Clutch Pawl Retainer
TGT0298	Drive Shaft Washer (B)	TGT0517	Worm Bushing	TGT0632	Yoke Plate Screw
TGT0299	Yoke Spring	TGT0519	Line Guide	TGT0633	Adjusting Washer
TGT0308	Anti-Reverse Pawl Screw	TGT0520	Line Guide Pawl	TGT0634	Clutch Pawl
TGT0315	Click Gear	TGT0521	Spacer	TGT0635	Clutch Pawl Spring
TGT0329	Spacer (B)	TGT0522	Pawl Cap	TGT0636	Clutch Pawl Pin
TGT0332	Click Spring Retainer	TGT0523	Right Side Plate Screw (C)	TGT0644	Anti-Reverse Ratchet
TGT0333	Click Spring	TGT0524	Pinion Gear		
TGT0334	Click Spring Holder	TGT0526	Drive Shaft Bushing		
TGT0357	Star Drag	TGT0527	Drive Shaft Washer (A)	TGT0411	Rod Clamp Nut (accessory)
TGT0358	Drag Spring Washer (8L)	TGT0532	Counter Gear "A"	TGT0412	Rod Clamp (accessory)
TGT0359	Bearing Thrust Washer	TGT0533	Idle Gear "B"	TGT0413	Rod Clamp Bolt (accessory)
TGT0360	Bearing Seal	TGT0534	Idle Gear "B" Support		
TGT0364	Smoother	TGT0535	Spacer "A"	TGT0355	Wrench (accessory)