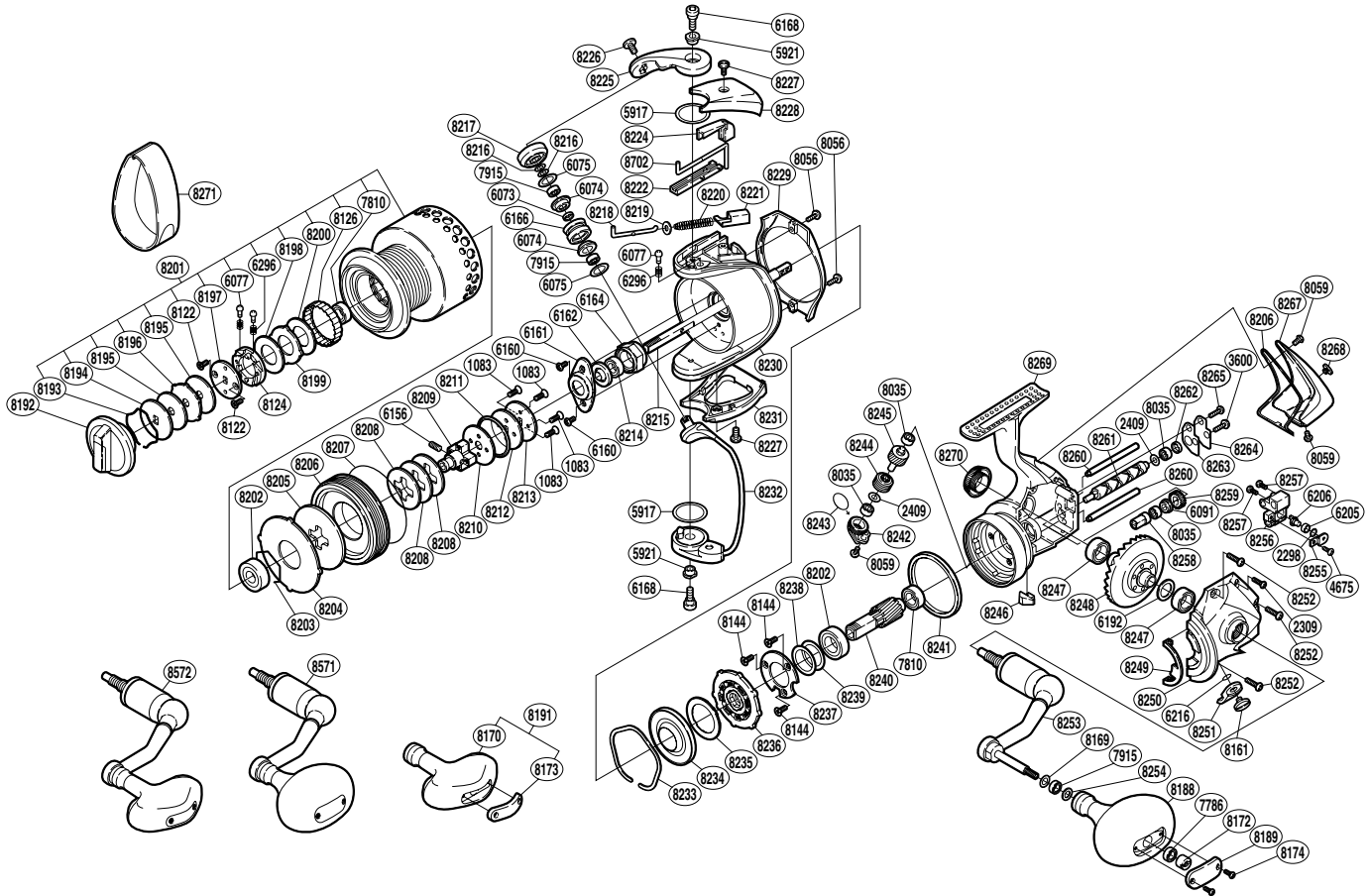


SHIMANO®

STELLA®

STL-6000FA



Part No.	Description	Part No.	Description	Part No.	Description
RD1083	Support Lock Screw	RD8194	Key Washer	RD8238	Adjusting Washer
RD2298	Spacer	RD8195	Drag Washer (C)	RD8239	Adjusting Washer
RD2309	Side Cover Screw (B)	RD8196	Eared Washer (A)	RD8240	Pinion Gear
RD2409	Worm Shaft Spacer	RD8197	Drag Click Holder Cover	RD8241	Friction Ring
RD3600	Worm Shaft Retainer Screw (A)	RD8198	Drag Washer (B)	RD8242	Gear Cover
RD4675	Oscillating Pawl Cover Screw	RD8199	Eared Washer (B)	RD8243	Gear Cover Seal
RD5917	Bail Arm Washer	RD8200	Spool Under Washer	RD8244	Idle Gear (B)
RD5921	Bail Arm Screw Collar	RD8201	Spool Assembly	RD8245	Pinion Worm Gear
RD6073	Bearing Spacer	RD8202	Ball Bearing	RD8246	Bail Trip Strike
RD6074	Line Roller Bushing	RD8203	Click Spring Retainer	RD8247	Ball Bearing
RD6075	Roller Bearing Seal	RD8204	Drag Washer (A)	RD8248	Drive Gear
RD6077	Click Pin	RD8205	Spool Drag Disc	RD8249	Flange Water Proof
RD6091	Idle Gear Spacer	RD8206	Drag Cover	RD8250	Side Cover
RD6156	Set Screw	RD8207	"O" Ring	RD8251	Oil Shield Cover
RD6160	Nut Lock Screw	RD8208	Spool Washer	RD8252	Side Cover Screw (A)
RD6161	Rotor Nut Lock Plate	RD8209	Bearing Bushing	RD8253	Handle Shank Assembly
RD6162	Bearing Water Proof	RD8210	Spool Support (C)	RD8254	Handle Knob Adjust Washer
RD6164	Rotor Nut	RD8211	Bearing Water Proof	RD8255	Oscillating Pawl Cover
RD6166	Line Roller	RD8212	Spool Support (A)	RD8256	Oscillating Slider
RD6168	Bail Arm Screw	RD8213	Spool Support (B)	RD8257	Slider Retainer Screw
RD6192	Drive Gear Washer	RD8214	Ball Bearing	RD8258	Worm Bushing
RD6205	Oscillating Slider Bushing	RD8215	Main Shaft	RD8259	Idle Gear
RD6206	Oscillating Pawl	RD8216	Adjusting Washer	RD8260	Oscillating Guide
RD6216	"O" Ring	RD8217	Line Roller Washer	RD8261	Worm Shaft
RD6296	Click Spring	RD8218	Bail Spring Guide (A)	RD8262	Worm Shaft Ring
RD7786	Ball Bearing	RD8219	Spring Guide (A) Support	RD8263	Worm Shaft Retainer Washer
RD7810	Ball Bearing	RD8220	Bail Spring	RD8264	Worm Shaft Retainer
RD7915	Ball Bearing	RD8221	Bail Spring Seat	RD8265	Worm Shaft Retainer Screw (B)
RD8035	Ball Bearing	RD8222	Trip Lever Guide	RD8266	Rear Shield
RD8056	Protector Screw (C)	RD8224	Bail Trip Cover	RD8267	Rear Protector
RD8059	Protector Screw (D)	RD8225	Bail Arm	RD8268	Oil Cap
RD8122	Drag Click Holder Cover Screw	RD8226	Line Roller Screw	RD8269	Body
RD8124	Drag Click Holder	RD8227	Protector Screw (A)	RD8270	Handle Screw Cap
RD8126	Drag Click Collar	RD8228	Bail Spring Cover	RD8702	Bail Trip Lever
RD8144	Bearing Retainer Screw	RD8229	Rotor Guard		
RD8161	Oil Cap	RD8230	Rotor		
RD8169	Handle Knob Adjust Washer	RD8231	Bail Hold Support Guard	RD8191	Handle Knob Assembly (T type A)
RD8172	Handle Knob Nut	RD8232	Bail Assembly	RD8571	Handle Assembly (Round type A 6000)
RD8174	Handle Knob Screw	RD8233	Roller Clutch Water Proof Retainer	RD8572	Handle Assembly (T type A 6000)
RD8188	Handle Knob (Round type A)	RD8234	Roller Clutch Water Proof		
RD8189	Handle Knob I.D. Plate	RD8235	Roller Clutch Reinforce	RD8170	Spare Handle Knob (T type A)
RD8192	Drag Knob	RD8236	Roller Clutch Assembly	RD8173	Spare Handle Knob I.D. Plate
RD8193	Drag Washers Retainer	RD8237	Bearing Retainer	RD8271	Line Band (LL)