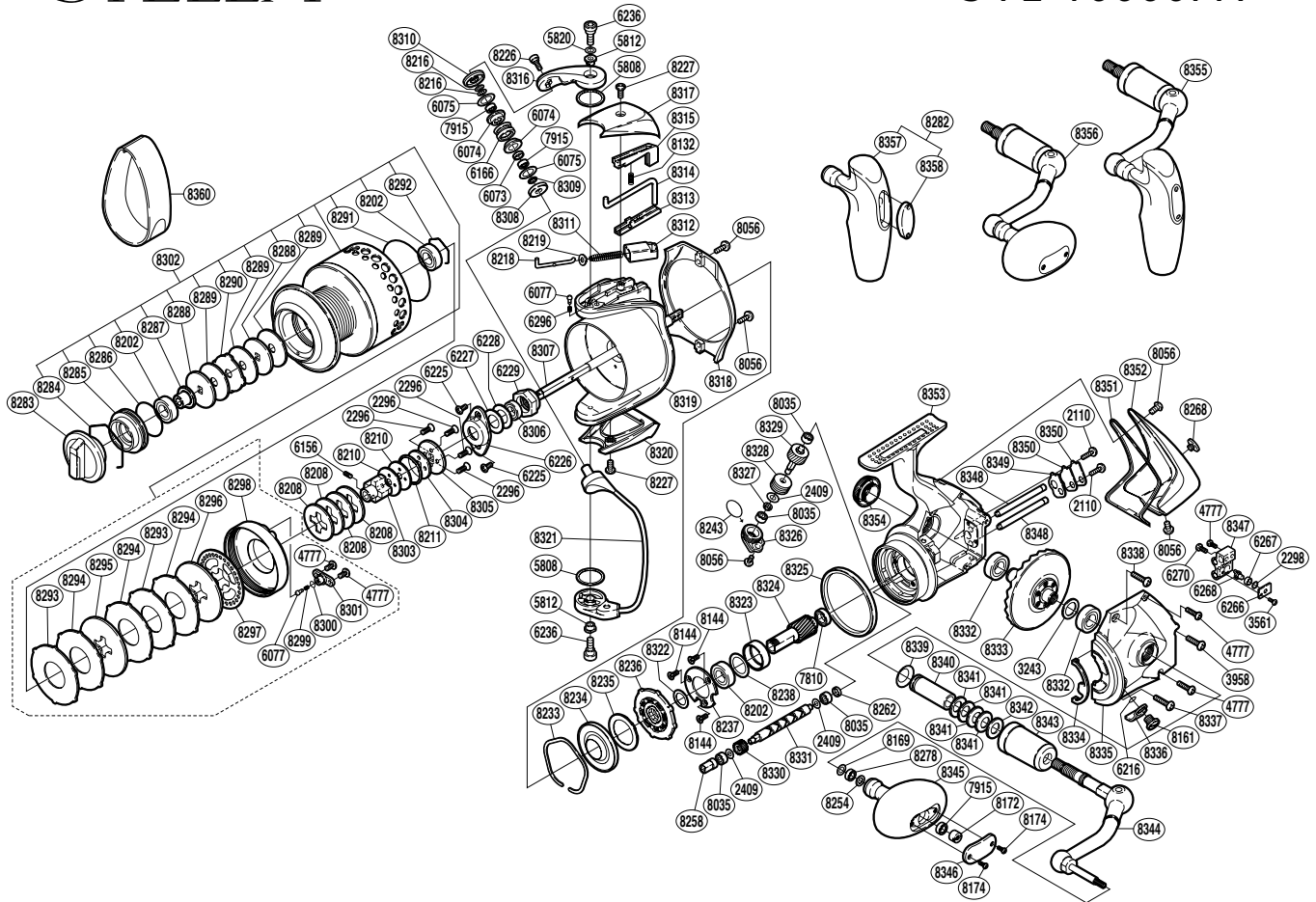


## STELLA®

## STL-10000FA



Part No.	Description
RD2110	Worm Shaft Retainer Screw
RD2296	Support Lock Screw
RD2298	Spacer
RD2409	Worm Shaft Spacer
RD3243	Drive Gear Washer
RD3561	Oscillating Pawl Cover Screw
RD3958	Side Cover Screw (D)
RD4777	Multi-Purpose Screw
RD5808	Bail Arm Washer
RD5812	Bail Arm Screw Collar
RD5820	Spacer
RD6073	Bearing Spacer
RD6074	Line Roller Bushing
RD6075	Roller Bearing Seal
RD6077	Click Pin
RD6156	Set Screw
RD6166	Line Roller
RD6216	"O" Ring
RD6225	Nut Lock Screw
RD6226	Rotor Nut Lock Plate
RD6227	Bearing Washer
RD6228	Bearing Water Proof
RD6229	Rotor Nut
RD6236	Bail Arm Screw
RD6266	Oscillating Pawl Cover
RD6267	Oscillating Slider Bushing
RD6268	Oscillating Pawl
RD6270	Slider Retainer Screw
RD6296	Click Spring
RD7810	Ball Bearing
RD7915	Ball Bearing
RD8035	Ball Bearing
RD8056	Multi-Purpose Screw
RD8132	Bail Trip Cover Spring
RD8144	Bearing Retainer Screw
RD8161	Oil Cap
RD8169	Handle Knob Adjust Washer
RD8172	Handle Knob Nut
RD8174	Handle Knob Screw
RD8202	Ball Bearing
RD8208	Spool Washer
RD8210	Spool Support (C)
RD8211	Bearing Water Proof
RD8216	Adjusting Washer
RD8218	Bail Spring Guide (A)
RD8219	Spring Guide (A) Support
RD8226	Line Roller Screw

Part No.	Description
RD8227	Protector S screw
RD8233	Roller Clutch Water Proof Retainer
RD8234	Roller Clutch Water Proof
RD8235	Roller Clutch Reinforce
RD8236	Roller Clutch Assembly
RD8237	Bearing Retainer
RD8238	Adjusting Washer
RD8243	Gear Cover Seal
RD8254	Handle Knob Adjust Washer
RD8258	Worm Bushing
RD8262	Worm Shaft Ring
RD8268	Oil Cap
RD8278	Ball Bearing
RD8283	Drag Knob
RD8284	Drag Washers Retainer
RD8285	Thrust Bushing
RD8286	"O" Ring
RD8287	Bearing Support
RD8288	Key Washer
RD8289	Drag Washer (A)
RD8290	Eared Washer (A)
RD8291	"O" Ring
RD8292	Bearing Retainer
RD8293	Eared Washer (B)
RD8294	Drag Washer (B)
RD8295	Spool Drag Disc (A)
RD8296	Spool Drag Disc (B)
RD8297	Drag Click Holder Cover
RD8298	Drag Cover
RD8299	Click Spring
RD8300	"O" Ring
RD8301	Drag Click Holder
RD8302	Spool Assembly
RD8303	Bearing Bushing
RD8304	Spool Support (A)
RD8305	Spool Support (B)
RD8306	Ball Bearing
RD8307	Main Shaft
RD8308	Line Roller Support Collar
RD8309	Bearing Retainer Ring
RD8310	Line Roller Washer
RD8311	Bail Spring
RD8312	Bail Spring Seat
RD8313	Trip Lever Guide
RD8314	Bail Trip Lever
RD8315	Bail Trip Cover
RD8316	Bail Arm

Part No.	Description
RD8317	Bail Spring Cover
RD8318	Rotor Guard
RD8319	Rotor
RD8320	Bail Hold Support Guard
RD8321	Bail Assembly
RD8322	Adjusting Washer
RD8323	Bearing Housing
RD8324	Pinion Gear
RD8325	Friction Ring
RD8326	Gear Cover
RD8327	Idle Gear (B) Collar
RD8328	Idle Gear (B)
RD8329	Pinion Worm Gear
RD8330	Idle Gear
RD8331	Worm Shaft
RD8332	Ball Bearing
RD8333	Drive Gear
RD8334	Flange Water Proof
RD8335	Side Cover
RD8336	Oil Shield Cover
RD8337	Side Cover Screw (B)
RD8338	Side Cover Screw (A)
RD8339	Handle Shaft Seal
RD8340	Handle Shaft Cover (A)
RD8341	Disc Spring
RD8342	Small Handle Shank Washer
RD8343	Handle Shaft Cover (B)
RD8344	Handle Shank Assembly
RD8345	Handle Knob (Round type C)
RD8346	Handle Knob I.D. Plate
RD8347	Oscillating Slider
RD8348	Oscillating Guide
RD8349	Worm Shaft Retainer Washer
RD8350	Worm Shaft Retainer
RD8351	Rear Shield
RD8352	Rear Protector
RD8353	Body
RD8354	Handle Screw Cap
RD8282	Handle Knob Assembly (T type B)
RD8355	Handle Assembly (T type B 10000)
RD8356	Handle Assembly (Round type C 20000)
RD8357	Spare Handle Knob (T type B)
RD8358	Spare Handle Knob I.D. Plate
RD8359	Line Band (LLL)