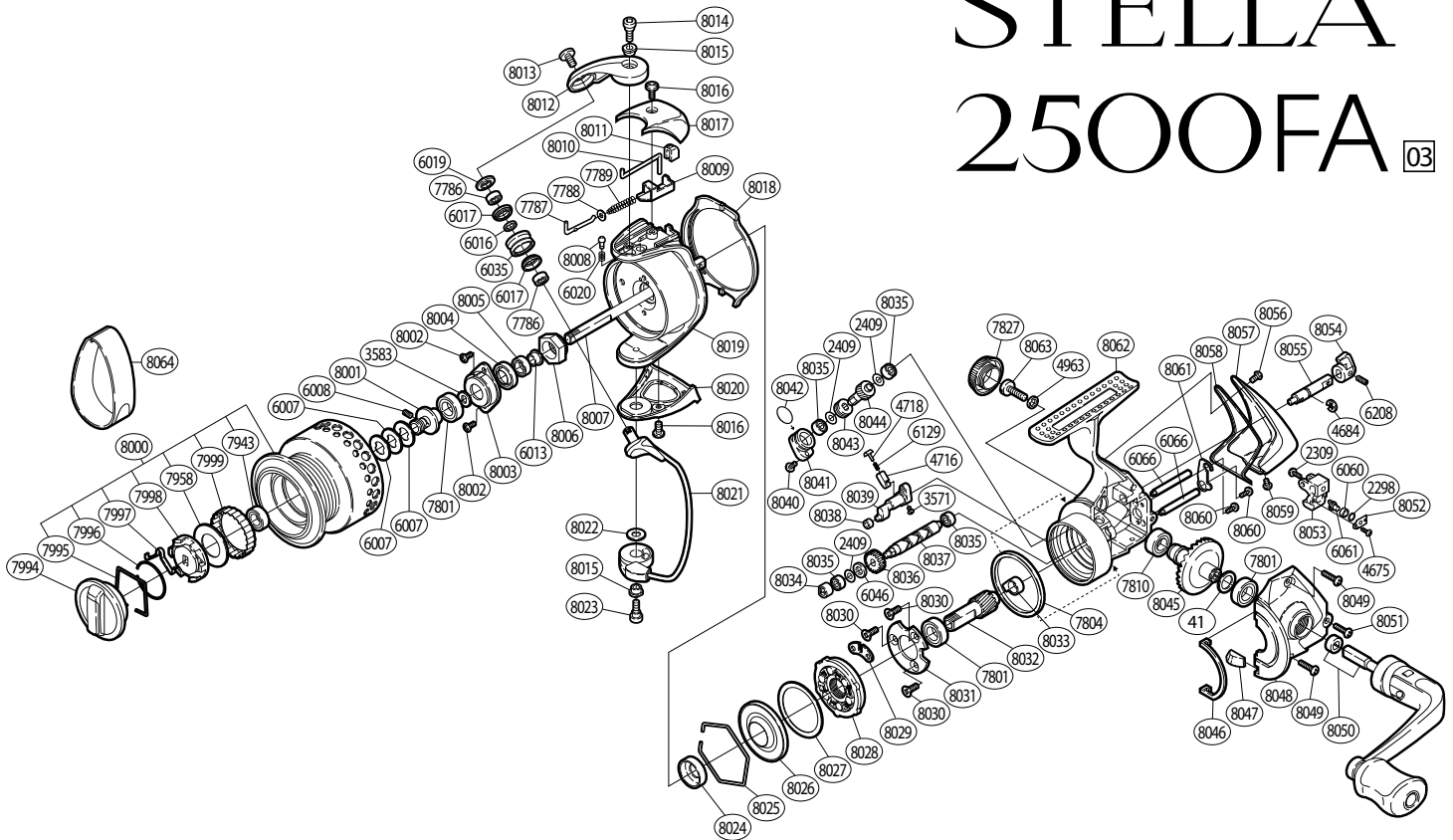


STELLA® 2500FA 03



Part No.	Description
RD 0041	Drive Gear Washer
RD 2298	Spacer
RD 2309	Slider Retainer Screw
RD 2409	Worm Shaft Spacer
RD 3538	Spool Support
RD 3571	Anti-Reverse Cam Screw
RD 4675	Oscillating Pawl Cover Screw
RD 4684	"E" Lock
RD 4716	Spring Guide (B)
RD 4718	Spring Guide (A)
RD 4963	Handle Lock Washer
RD 6007	Spool Washer
RD 6008	Set Screw
RD 6013	Main Shaft Spacer
RD 6016	Bearing Spacer
RD 6017	Line Roller Bushing
RD 6019	Line Roller Washer
RD 6020	Click Spring
RD 6035	Line Roller
RD 6046	Idle Gear Washer
RD 6060	Oscillating Slider Bushing
RD 6061	Oscillating Pawl
RD 6066	Oscillating Guide (B)
RD 6129	Lever Spring
RD 6208	Set Screw
RD 7786	Ball Bearing
RD 7787	Bail Spring Guide (A)
RD 7788	Spring Guide (A) Support
RD 7789	Bail Spring
RD 7801	Ball Bearing
RD 7804	Friction Ring
RD 7810	Ball Bearing
RD 7827	Handle Screw Cap
RD 7943	Ball Bearing
RD 7958	Drag Washer
RD 7994	Drag Knob

Part No.	Description
RD 7995	Drag Washers Retainer
RD 7996	Click Spring Retainer
RD 7997	Click Spring
RD 7998	Drag Click Holder
RD 7999	Drag Click Collar
RD 8000	Spool Assembly
RD 8001	Bearing Bushing
RD 8002	Nut Lock Screw
RD 8003	Rotor Nut Lock Plate
RD 8004	Bearing Water Proof
RD 8005	Ball Bearing
RD 8006	Rotor Nut
RD 8007	Main Shaft
RD 8008	Click Pin
RD 8009	Bail Spring Seat
RD 8010	Bail Trip Lever
RD 8011	Bail Trip Cover
RD 8012	Bail Arm
RD 8013	Line Roller Screw
RD 8014	Bail Arm Screw
RD 8015	Bail Arm Screw Collar
RD 8016	Multi-Purpose Screw
RD 8017	Bail Spring Cover
RD 8018	Rotor Guard
RD 8019	Rotor
RD 8020	Bail Hold Support Guard
RD 8021	Bail Assembly
RD 8022	Bail Hold Support Washer
RD 8023	Bail Hold Support Screw
RD 8024	Rotor Ring
RD 8025	Roller Clutch Water Proof Retainer
RD 8026	Roller Clutch Water Proof
RD 8027	Roller Clutch Outer Spacer
RD 8028	Roller Clutch Assembly
RD 8029	Clutch Insole
RD 8030	Bearing Retainer Screw

Part No.	Description
RD 8031	Bearing Retainer
RD 8032	Pinion Gear
RD 8033	Bushing
RD 8034	Worm Bushing
RD 8035	Ball Bearing
RD 8036	Idle Gear
RD 8037	Worm Shaft
RD 8038	Anti-Reverse Cam Ring
RD 8039	Anti-Reverse Cam
RD 8040	Gear Cover Screw
RD 8041	Gear Cover
RD 8042	Gear Cover Seal
RD 8043	Idle Gear (B)
RD 8044	Pinion Worm Gear
RD 8045	Drive Gear
RD 8046	Flange Water Proof
RD 8047	Bail Trip Strike
RD 8048	Side Cover
RD 8049	Side Cover Screw (long)
RD 8050	Handle Assembly
RD 8051	Side Cover Screw (short)
RD 8052	Oscillating Pawl Cover
RD 8053	Oscillating Slider
RD 8054	Anti-Reverse Lever
RD 8055	Anti-Reverse Lever Shaft
RD 8056	Protector Screw (C)
RD 8057	Rear Protector
RD 8058	Rear Shield
RD 8059	Protector Screw (D)
RD 8060	Worm Shaft Retainer Screw
RD 8061	Worm Shaft Retainer
RD 8062	Body
RD 8063	Handle Lock Screw
RD 8064	Line Band (S)