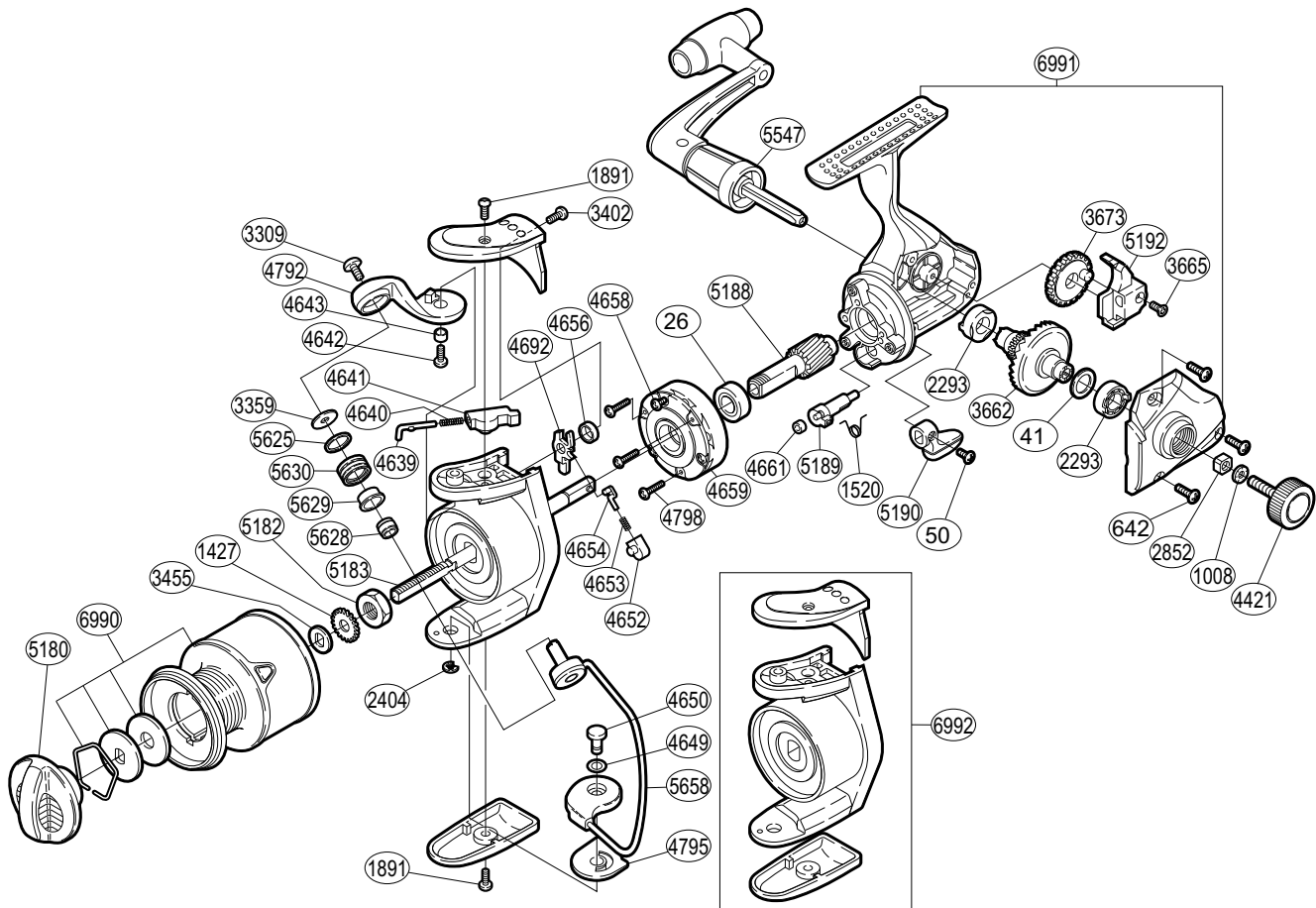


SHIMANO®

Sonora™

SON-2000F



Part No.	Description	Part No.	Description	Part No.	Description
RD 0026	Ball Bearing	RD 4421	Handle Screw Cap	RD 4798	Roller Clutch Screw
RD 0041	Drive Gear Washer	RD 4639	Bail Spring Guide (A)	RD 5180	Drag Knob
RD 0050	Anti-Reverse Lever Screw	RD 4640	Bail Spring	RD 5182	Rotor Nut
RD 0642	Side Cover Screw	RD 4641	Bail Spring Guide (B)	RD 5183	Main Shaft
RD 1008	Handle Lock Washer	RD 4642	Bail Arm Screw	RD 5188	Pinion Gear
RD 1427	Spool Support	RD 4643	Bail Arm Bushing	RD 5189	Anti-Reverse Cam
RD 1520	Anti-Reverse Cam Spring	RD 4649	Spacer	RD 5190	Anti-Reverse Lever
RD 1891	Multi-Purpose Screw	RD 4650	Bail Hold Support Shaft	RD 5192	Oscillating Slider
RD 2293	Drive Gear Bushing	RD 4652	Lever Spring Guide (B)	RD 5547	Handle Assembly
RD 2404	"E" Lock	RD 4653	Lever Spring	RD 5625	Line Roller Spacer
RD 2852	Handle Screw Lock	RD 4654	Lever Spring Guide (A)	RD 5628	Line Roller Collar
RD 3309	Line Roller Screw	RD 4656	Trip Lever Spacer	RD 5629	Line Roller Bushing
RD 3359	Line Roller Washer	RD 4658	Clutch Cover Screw	RD 5630	Line Roller
RD 3402	Bail Spring Cover Screw (small)	RD 4659	Roller Clutch Assembly	RD 5658	Bail Assembly
RD 3455	Spool Washer	RD 4661	Anti-Reverse Cam Ring	RD 6990	Spool Assembly
RD 3662	Drive Gear	RD 4692	Bail Trip Lever	RD 6991	Body Assembly
RD 3665	Slider Retainer Screw	RD 4792	Bail Arm	RD 6992	Rotor Assembly
RD 3673	Oscillating Gear	RD 4795	Bail Hold Support Spacer		