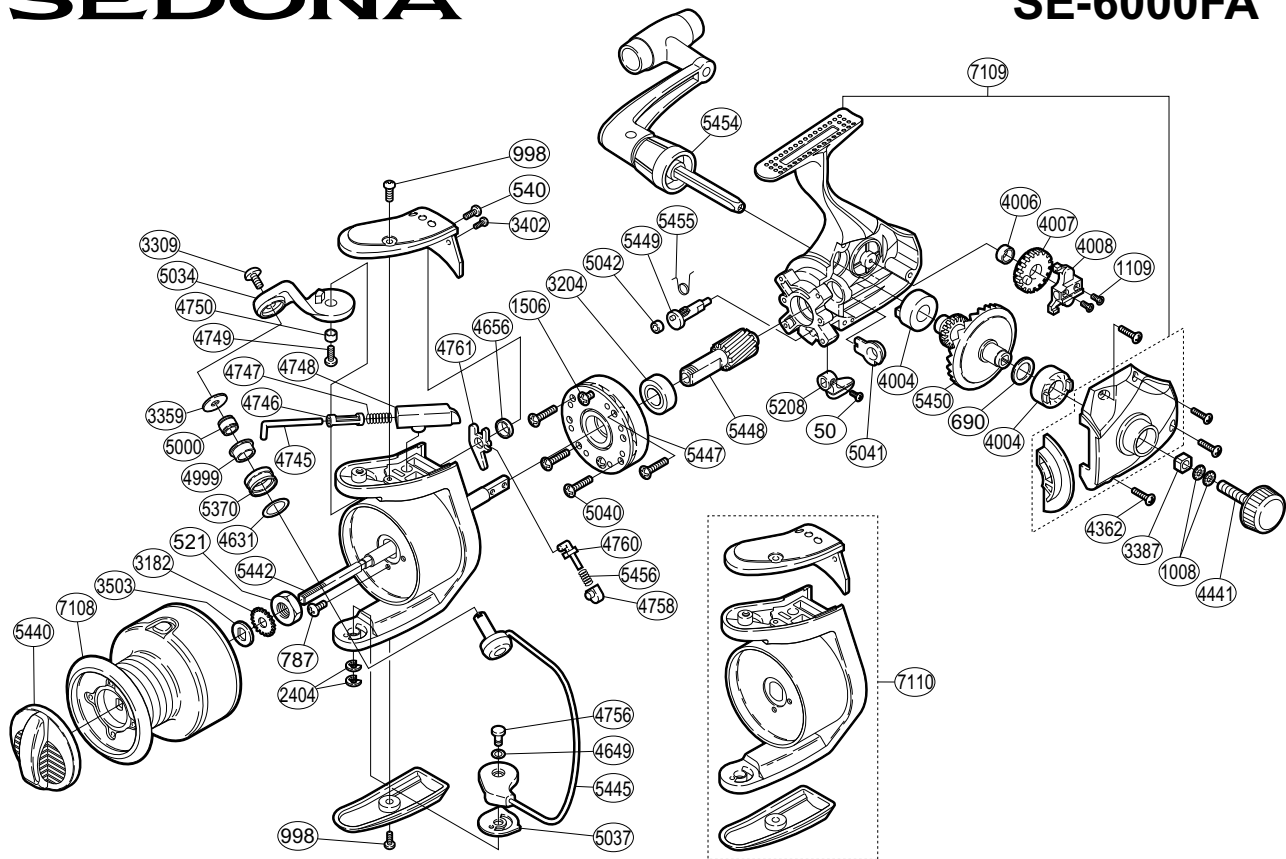


SHIMANO®

SEDONA®

SE-6000FA



Part No.	Description	Part No.	Description	Part No.	Description
RD 0050	Anti-Reverse Lever Screw	RD 4008	Oscillating Slider	RD 5040	Roller Clutch Screw
RD 0521	Rotor Nut	RD 4362	Side Cover Screw	RD 5041	Bushing
RD 0540	Bail Spring Cover Screw (large)	RD 4441	Handle Screw Cap	RD 5042	Anti-Reverse Cam Ring
RD 0690	Drive Gear Washer	RD 4631	Spacer	RD 5208	Anti-Reverse Lever
RD 0787	Nut Lock Screw	RD 4649	Spacer	RD 5370	Line Roller
RD 0998	Multi-Purpose Screw	RD 4656	Trip Lever Spacer	RD 5440	Drag Knob
RD 1008	Handle Lock Washer	RD 4745	Bail Spring Guide (A)	RD 5442	Main Shaft
RD 1109	Slider Retainer Screw	RD 4746	Bail Spring Guide (A) Support	RD 5445	Bail Assembly
RD 1506	Clutch Cover Screw	RD 4747	Bail Spring	RD 5447	Roller Clutch Assembly
RD 2404	"E" Lock	RD 4748	Bail Spring Guide (B)	RD 5448	Pinion Gear
RD 3182	Spool Support	RD 4749	Bail Arm Screw	RD 5449	Anti-Reverse Cam
RD 3204	Ball Bearing	RD 4750	Bail Arm Bushing	RD 5450	Drive Gear
RD 3309	Line Roller Screw	RD 4756	Bail Hold Support Shaft	RD 5454	Handle Assembly
RD 3359	Line Roller Washer	RD 4758	Lever Spring Guide (B)	RD 5455	Anti-Reverse Cam Spring
RD 3387	Handle Screw Lock	RD 4760	Lever Spring Guide (A)	RD 5456	Lever Spring
RD 3402	Bail Spring Cover Screw (small)	RD 4761	Bail Trip Lever	RD 7108	Spool Assembly
RD 3503	Spool Washer	RD 4999	Line Roller Bushing	RD 7109	Body Assembly
RD 4004	Drive Gear Bushing	RD 5000	Line Roller Collar	RD 7110	Rotor Assembly
RD 4006	Oscillating Gear Bushing	RD 5034	Bail Arm		
RD 4007	Oscillating Gear	RD 5037	Bail Hold Support Spacer		