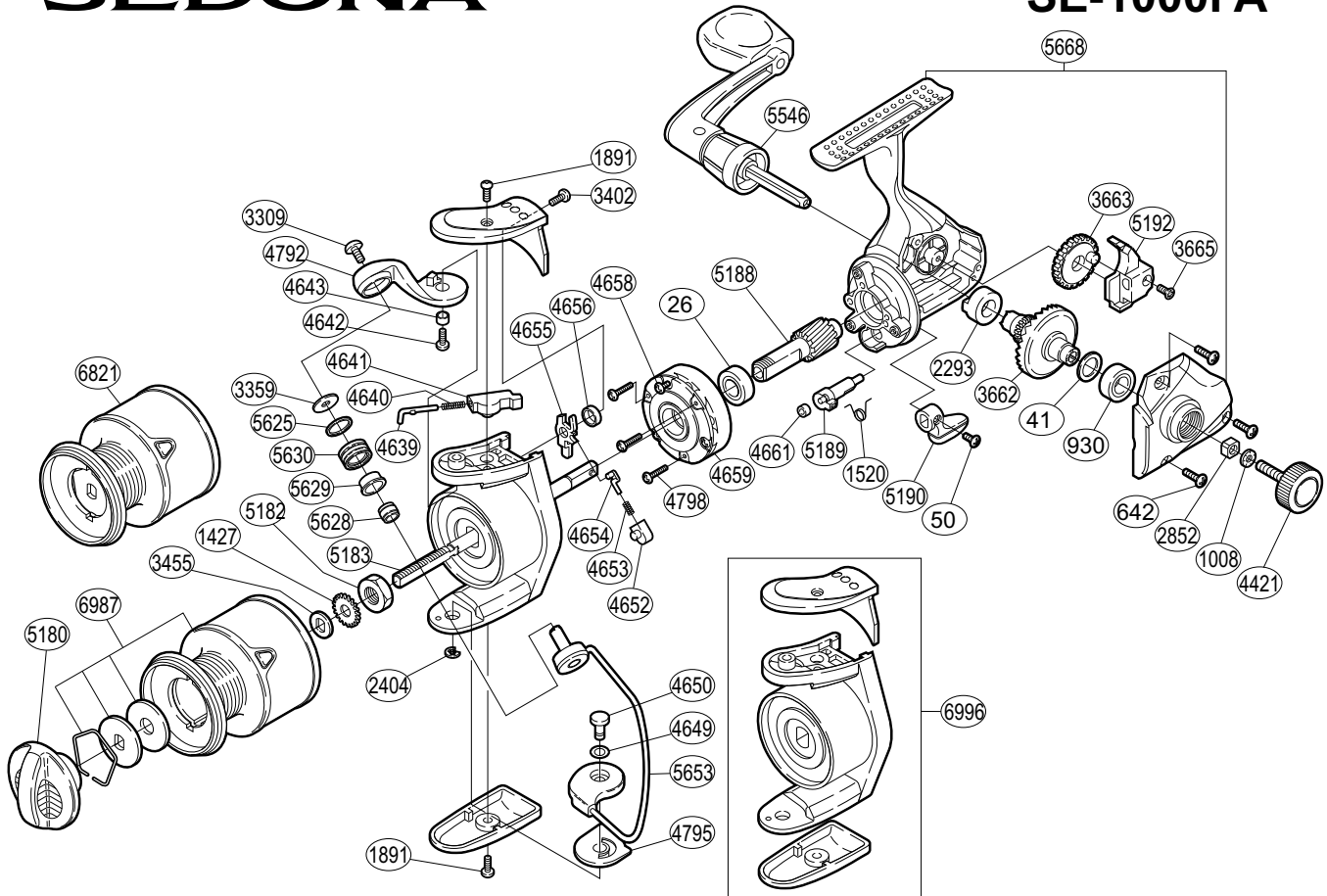


SHIMANO®

SEDONA®

SE-1000FA



| Part No. | Description | Part No. | Description | Part No. | Description |
|----------|---------------------------------|----------|--------------------------|----------|---------------------------|
| RD 0026 | Ball Bearing | RD 4421 | Handle Screw Cap | RD 5180 | Drag Knob |
| RD 0041 | Drive Gear Washer | RD 4639 | Bail Spring Guide (A) | RD 5182 | Rotor Nut |
| RD 0050 | Anti-Reverse Lever Screw | RD 4640 | Bail Spring | RD 5183 | Main Shaft |
| RD 0642 | Side Cover Screw | RD 4641 | Bail Spring Guide (B) | RD 5188 | Pinion Gear |
| RD 0930 | Ball Bearing | RD 4642 | Bail Arm Screw | RD 5189 | Anti-Reverse Cam |
| RD 1008 | Handle Lock Washer | RD 4643 | Bail Arm Bushing | RD 5190 | Anti-Reverse Lever |
| RD 1427 | Spool Support | RD 4649 | Spacer | RD 5192 | Oscillating Slider |
| RD 1520 | Anti-Reverse Cam Spring | RD 4650 | Bail Hold Support Shaft | RD 5546 | Handle Assembly |
| RD 1891 | Multi-Purpose Screw | RD 4652 | Lever Spring Guide (B) | RD 5625 | Line Roller Spacer |
| RD 2293 | Drive Gear Bushing | RD 4653 | Lever Spring | RD 5628 | Line Roller Collar |
| RD 2404 | "E" Lock | RD 4654 | Lever Spring Guide (A) | RD 5629 | Line Roller Bushing |
| RD 2852 | Handle Screw Lock | RD 4655 | Bail Trip Lever | RD 5630 | Line Roller |
| RD 3309 | Line Roller Screw | RD 4656 | Trip Lever Spacer | RD 5653 | Bail Assembly |
| RD 3359 | Line Roller Washer | RD 4658 | Clutch Cover Screw | RD 5668 | Body Assembly |
| RD 3402 | Bail Spring Cover Screw (small) | RD 4659 | Roller Clutch Assembly | RD 6821 | Spool Assembly (graphite) |
| RD 3455 | Spool Washer | RD 4661 | Anti-Reverse Cam Ring | RD 6987 | Spool Assembly (aluminum) |
| RD 3662 | Drive Gear | RD 4792 | Bail Arm | RD 6996 | Rotor Assembly |
| RD 3663 | Oscillating Gear | RD 4795 | Bail Hold Support Spacer | | |
| RD 3665 | Slider Retainer Screw | RD 4798 | Roller Clutch Screw | | |