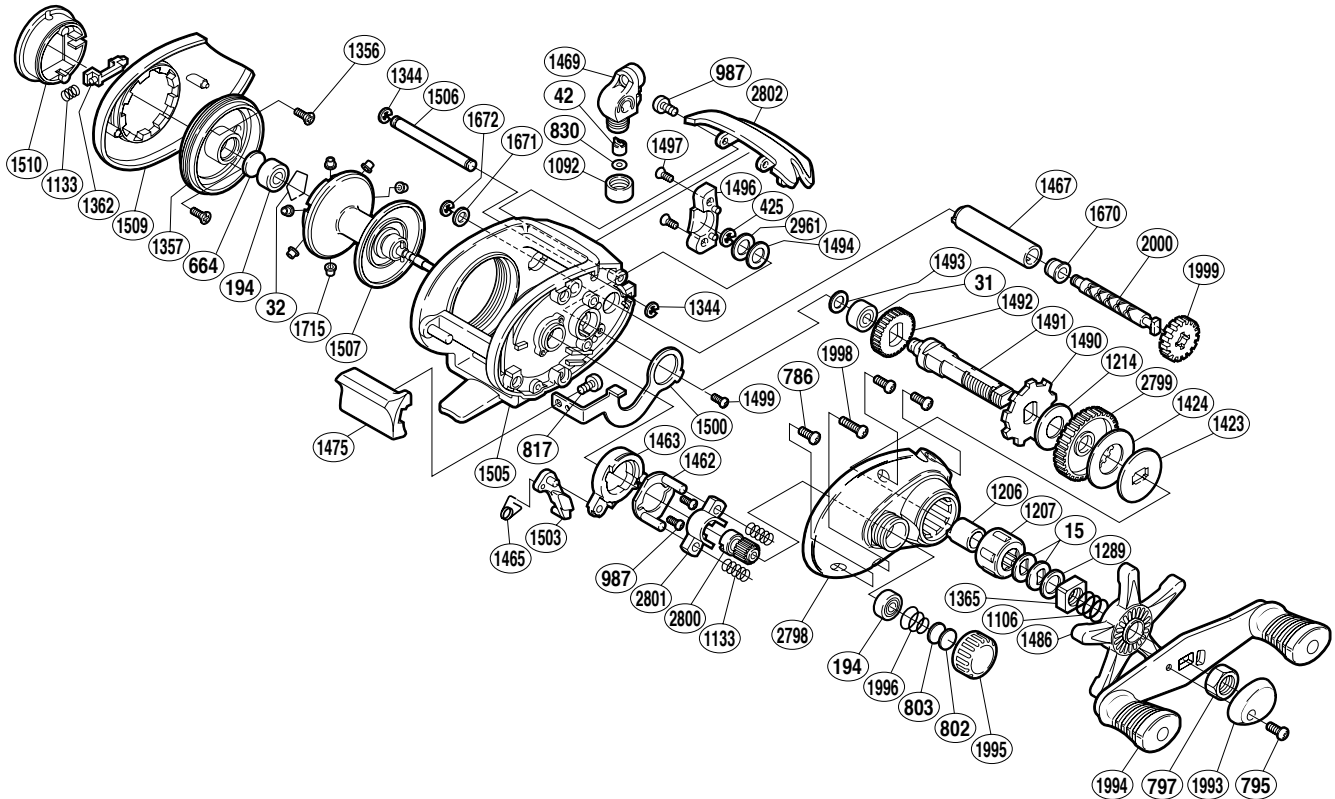


Bantam CURADO

CU-200B38



Part No.	Description
BNT0015	Drag Spring Washer
BNT0031	Ball Bearing
BNT0032	Bearing Retainer
BNT0042	Line Guide Pawl
BNT0194	Ball Bearing
BNT0425	"E" Lock
BNT0664	Spacer (B)
BNT0786	Side Plate Screw (short)
BNT0795	Handle Nut Plate Screw
BNT0797	Handle Nut
BNT0802	Spool Tension Spacer (B)
BNT0803	Spool Tension Spacer (A)
BNT0817	Clutch Bar Screw
BNT0830	Spacer (optional)
BNT0987	Multi-Purpose Screw
BNT1092	Pawl Cap
BNT1106	Star Drag Spring
BNT1133	Yoke / Turnkey Pawl Spring
BNT1206	Roller Clutch Inner Tube
BNT1207	Roller Clutch Bearing
BNT1214	Drag Washer (A)
BNT1289	Star Drag Spacer
BNT1344	"C" Lock

Part No.	Description
BNT1356	Brake Case Retainer Screw
BNT1357	Brake Case
BNT1362	Turnkey Pawl
BNT1365	Star Drag Nut
BNT1423	Key Washer
BNT1424	Drag Washer (C)
BNT1462	Clutch Cam Retainer
BNT1463	Clutch Cam
BNT1465	Clutch Pawl Spring
BNT1467	Level Wind Guard
BNT1469	Line Guide
BNT1475	Quick-Fire II Clutch Bar
BNT1486	Star Drag
BNT1490	Anti-Reverse Ratchet
BNT1491	Drive Shaft
BNT1492	Idle Gear (A)
BNT1493	Drive Gear Washer
BNT1494	Drive Shaft Washer (B)
BNT1496	Drive Shaft Cover
BNT1497	Drive Shaft Cover Screw
BNT1499	Clutch Plate Screw
BNT1500	Clutch Plate
BNT1503	Clutch Pawl

Part No.	Description
BNT1505	One-Piece Frame
BNT1506	Line Guard
BNT1507	Spool Assembly
BNT1509	Left Side Plate
BNT1510	Turnkey Dial
BNT1670	Worm Bushing
BNT1671	Worm Shaft Washer (B)
BNT1672	"E" Lock
BNT1715	Brake Collar (red)
BNT1993	Handle Nut Plate Assembly
BNT1994	Handle Assembly
BNT1995	Cast Control Cap
BNT1996	Spool Tension Spring
BNT1998	Side Plate Screw (long)
BNT1999	Idle Gear (C)
BNT2000	Worm Shaft
BNT2798	Right Side Plate
BNT2799	Drive Gear
BNT2800	Pinion Gear (A)
BNT2801	Yoke
BNT2802	Thumb Rest
BNT2961	Drive Shaft Washer