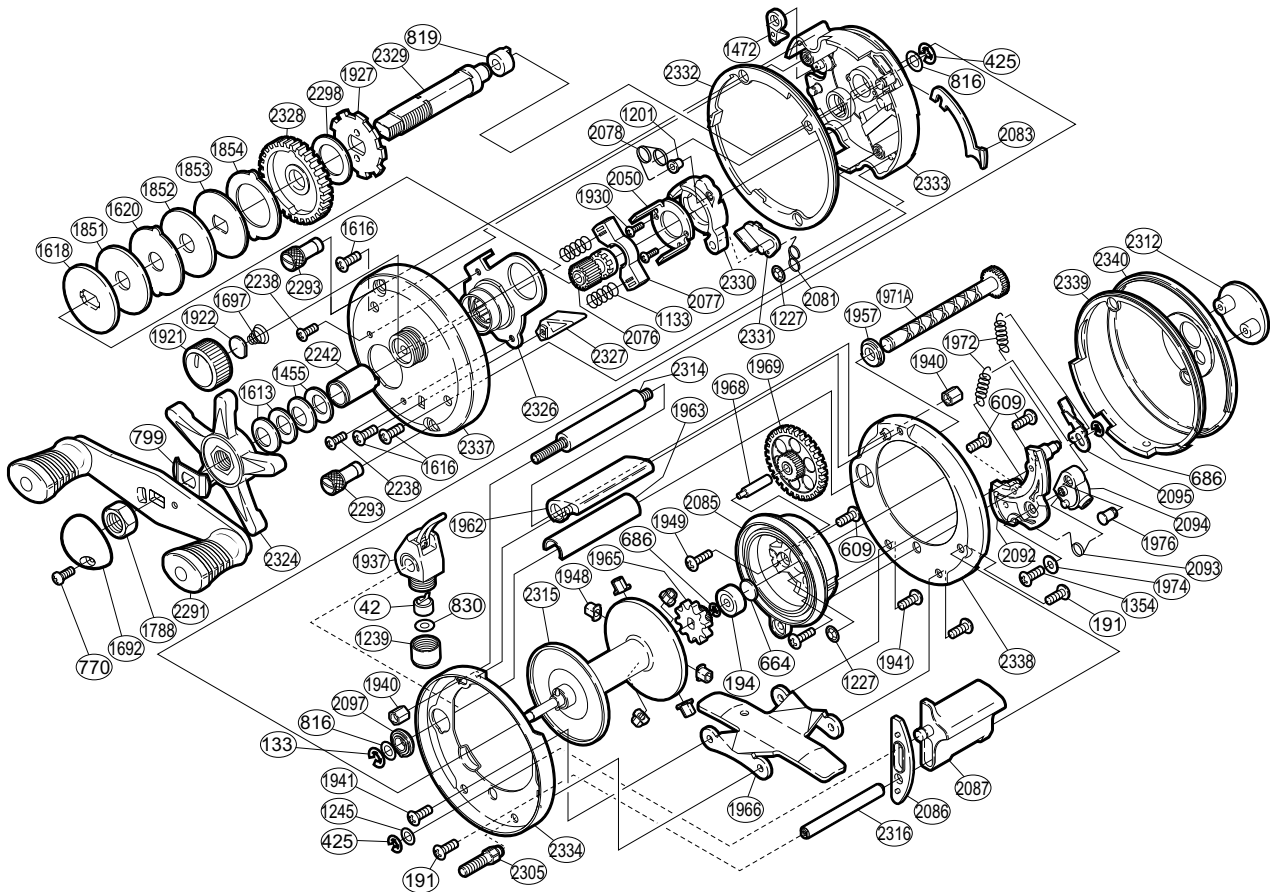


SHIMANO®

CORSAIR®

CS-401A



Part No.	Description	Part No.	Description	Part No.	Description
BNT0042	Line Guide Pawl	BNT1853	Key Washer (A)	BNT2087	Quick-Fire II Clutch Bar
BNT0133	"E" Lock	BNT1854	Eared Washer (B-1)	BNT2092	Click Plate
BNT0191	Clutch Bar Support Screw	BNT1921	Cast Control Cap	BNT2093	Click Switch Spring
BNT0194	Ball Bearing	BNT1922	Cast Control Spacer	BNT2094	Click Switch
BNT0425	"E" Lock	BNT1927	Anti-Reverse Ratchet	BNT2095	Click Pawl
BNT0609	Multi-Purpose Screw	BNT1930	Clutch Cam Screw	BNT2097	Worm Bushing (A)
BNT0664	Spacer B	BNT1937	Line Guide Assembly	BNT2238	Bush Plate Screw
BNT0686	"E" Lock	BNT1940	Frame Nut	BNT2242	Roller Clutch Inner Tube
BNT0770	Handle Nut Plate Screw	BNT1941	Stand Screw	BNT2291	Handle Assembly
BNT0799	Friction Washer	BNT1948	Brake Collar	BNT2293	Left Side Plate Nut
BNT0816	Shaft Washer	BNT1949	Right Side Plate Screw	BNT2298	Drive Shaft Washer (B)
BNT0819	Drive Shaft Bushing	BNT1957	Worm Bushing (B)	BNT2305	Stand Bolt
BNT0830	Spacer (optional)	BNT1962	Thumb Rest	BNT2312	Right Side I.D. Plate
BNT1133	Yoke Spring	BNT1963	Level Wind Guard	BNT2314	Frame Bar
BNT1201	Retractor Spring Collar	BNT1965	Idle Gear (A)	BNT2315	Spool Assembly
BNT1227	Push Nut (SPN-2)	BNT1966	Stand	BNT2316	Clutch Bar Support
BNT1239	Pawl Cap	BNT1968	Idle Gear (B) Shaft	BNT2324	Star Drag
BNT1245	Clutch Bar Support Spacer	BNT1969	Idle Gear (B)	BNT2326	Roller Clutch Assembly
BNT1354	Click Switch Screw	BNT1971A	Worm Shaft	BNT2327	Return Pin Guide
BNT1455	Drag Spring Washer (H)	BNT1972	Click Spring	BNT2328	Drive Gear
BNT1472	Anti-Reverse Pawl	BNT1974	Click Switch Washer	BNT2329	Drive Shaft
BNT1613	Drag Spring Washer (L)	BNT1976	Click Shaft	BNT2330	Clutch Cam
BNT1616	Left Side Plate Screw	BNT2050	Clutch Cam Retainer	BNT2331	Clutch Pawl
BNT1618	Key Washer (C)	BNT2076	Pinion Gear	BNT2332	A-Side Seal
BNT1620	Eared Washer	BNT2077	Yoke	BNT2333	Set Plate
BNT1692	Handle Nut Plate	BNT2078	Retractor Spring	BNT2334	Left Side Frame
BNT1697	Spool Tension Spring	BNT2081	Clutch Pawl Spring	BNT2337	Left Side Plate
BNT1788	Handle Nut	BNT2083	Clutch Plate	BNT2338	Right Side Frame
BNT1851	Drag Washer (C)	BNT2085	Brake Case	BNT2339	B-Side Seal
BNT1852	Drag Washer (B-2)	BNT2086	Clutch Bar Guide	BNT2340	Right Side Plate