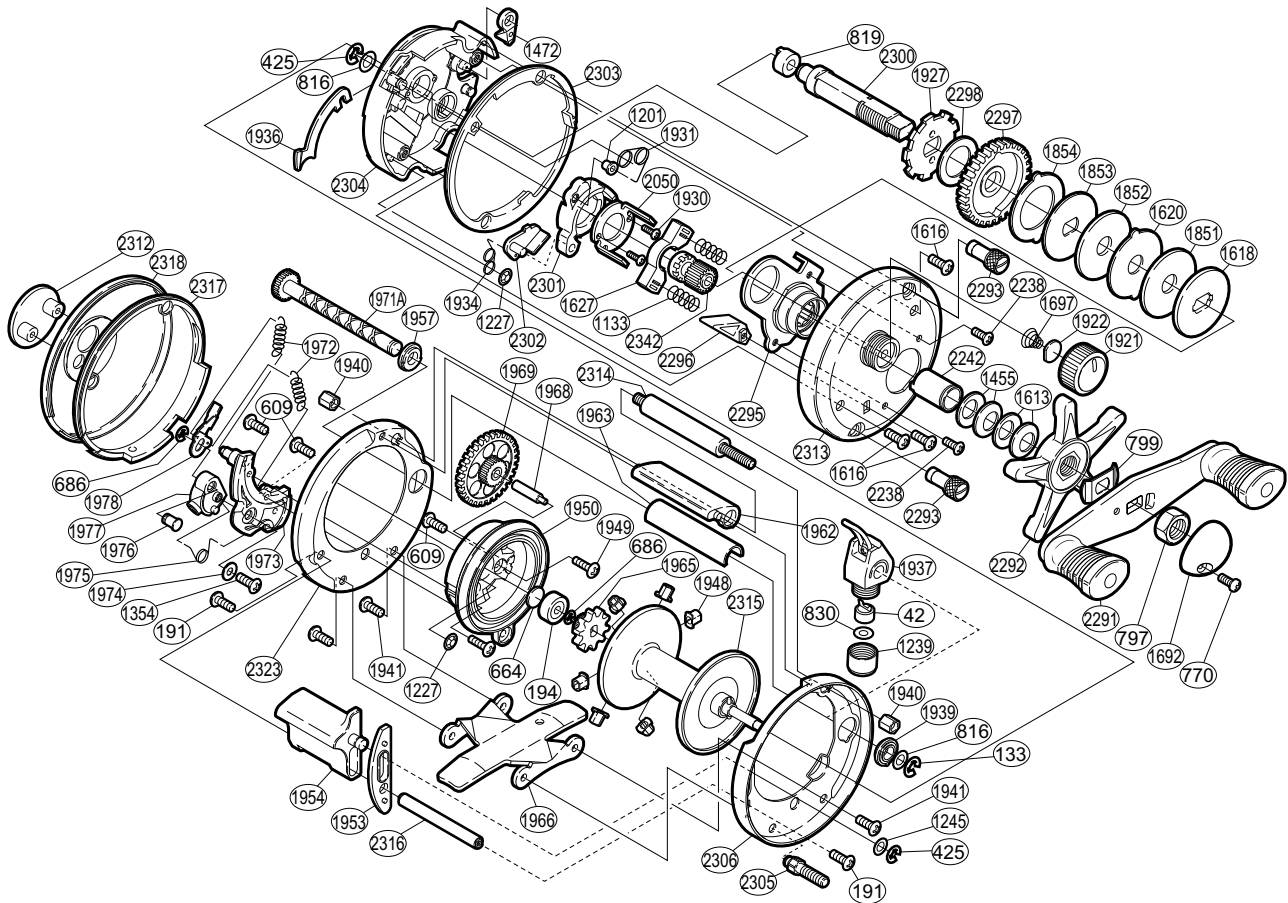


# SHIMANO®

# CORSAIR®

# CS-400A



Part No.	Description	Part No.	Description	Part No.	Description
BNT0042	Line Guide Pawl	BNT1852	Drag Washer (B-2)	BNT1975	Click Switch Spring
BNT0133	iE" Lock	BNT1853	Key Washer (A)	BNT1976	Click Shaft
BNT0191	Clutch Bar Support Screw	BNT1854	Eared Washer (B-1)	BNT1977	Click Switch
BNT0194	Ball Bearing	BNT1921	Cast Control Cap	BNT1978	Click Pawl
BNT0425	iE" Lock	BNT1922	Cast Control Spacer	BNT2050	Clutch Cam Retainer
BNT0609	Multi-Purpose Screw	BNT1927	Anti-Reverse Ratchet	BNT2238	Bush Plate Screw
BNT0664	Spacer B	BNT1930	Clutch Cam Screw	BNT2242	Roller Clutch Inner Tube
BNT0686	iE" Lock	BNT1931	Retractor Spring	BNT2291	Handle Assembly
BNT0770	Handle Nut Plate Screw	BNT1934	Clutch Pawl Spring	BNT2292	Star Drag
BNT0797	Handle Nut	BNT1936	Clutch Plate	BNT2293	Right Side Plate Nut
BNT0799	Friction Washer	BNT1937	Line Guide Assembly	BNT2295	Roller Clutch Assembly
BNT0816	Shaft Washer	BNT1939	Worm Bushing (A)	BNT2296	Return Pin Guide
BNT0819	Drive Shaft Bushing	BNT1940	Frame Nut	BNT2297	Drive Gear
BNT0830	Spacer (optional)	BNT1941	Stand Screw	BNT2298	Drive Shaft Washer (B)
BNT1133	Yoke Spring	BNT1948	Brake Collar	BNT2300	Drive Shaft
BNT1201	Retractor Spring Collar	BNT1949	Left Side Plate Screw	BNT2301	Clutch Cam
BNT1227	Push Nut (SPN-2)	BNT1950	Brake Case	BNT2302	Clutch Pawl
BNT1239	Pawl Cap	BNT1953	Clutch Bar Guide	BNT2303	A-Side Seal
BNT1245	Clutch Bar Support Spacer	BNT1954	Quick-Fire II Clutch Bar	BNT2304	Set Plate
BNT1354	Click Switch Screw	BNT1957	Worm Bushing (B)	BNT2305	Stand Bolt
BNT1455	Drag Spring Washer (H)	BNT1962	Thumb Rest	BNT2306	Right Side Frame
BNT1472	Anti-Reverse Pawl	BNT1963	Level Wind Guard	BNT2312	Left Side I.D. Plate
BNT1613	Drag Spring Washer (L)	BNT1965	Idle Gear (A)	BNT2313	Right Side Plate
BNT1616	Right Side Plate Screw	BNT1966	Stand	BNT2314	Frame Bar
BNT1618	Key Washer (C)	BNT1968	Idle Gear (B) Shaft	BNT2315	Spool Assembly
BNT1620	Eared Washer	BNT1969	Idle Gear (B)	BNT2316	Clutch Bar Support
BNT1627	Yoke	BNT1971A	Worm Shaft	BNT2317	B-Side Seal
BNT1692	Handle Nut Plate	BNT1972	Click Spring	BNT2318	Left Side Plate
BNT1697	Spool Tension Spring	BNT1973	Click Plate	BNT2323	Left Side Frame
BNT1851	Drag Washer (C)	BNT1974	Click Switch Washer	BNT2342	Pinion Gear