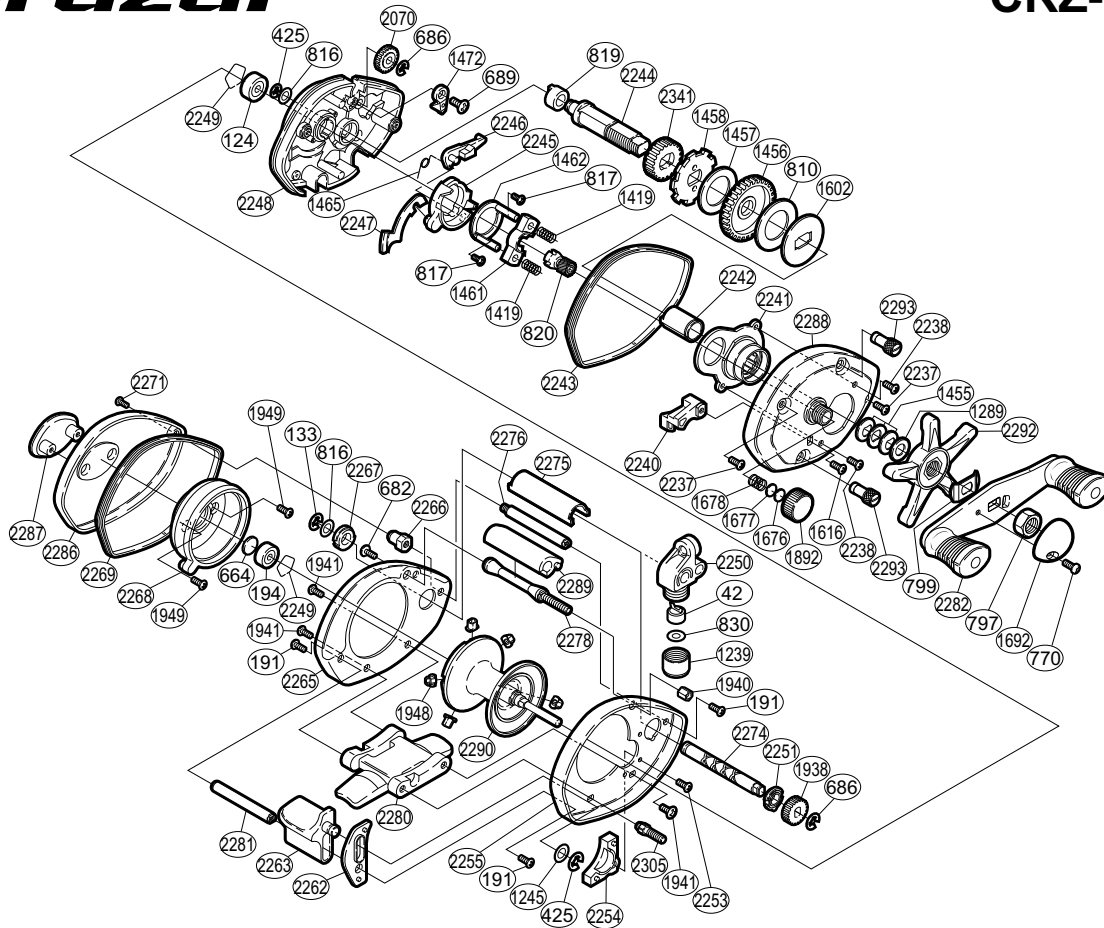


SHIMANO®

Cruzar®

CRZ-200



Part No.	Description	Part No.	Description	Part No.	Description
BNT0042	Line Guide Pawl	BNT1465	Clutch Pawl Spring	2253	Drive Shaft Cover Screw
BNT0124	Ball Bearing	BNT1472	Anti-Reverse Pawl	BNT2254	Drive Shaft Cover
BNT0133	Worm Shaft Retainer	BNT1602	Key Washer	BNT2255	A-Side Frame
BNT0191	Multi-Purpose Screw	BNT1616	Return Pin Guide Screw	BNT2262	Clutch Button Guide
BNT0194	Ball Bearing	BNT1676	Spool Tension Spacer (B)	BNT2263	Quick-Fire II Clutch Button
BNT0425	IEI Lock	BNT1677	Spool Tension Spacer (A)	BNT2265	B-Side Frame
BNT0664	Spacer (B)	BNT1678	Spool Tension Spring	BNT2266	B-Side Frame Nut
BNT0682	Frame Bar (A) Screw	BNT1692	Handle Nut Plate	BNT2267	Worm Bushing (B)
BNT0686	IEI Lock	BNT1892	Cast Control Cap	BNT2268	Brake Case
BNT0689	Anti-Reverse Pawl Screw	BNT1938	Idle Gear (C)	BNT2269	B-Side Seal
BNT0770	Handle Nut Plate Screw	BNT1940	Frame Nut	BNT2271	Left Side Plate Screw
BNT0797	Handle Nut	BNT1941	Stand Screw	BNT2274	Worm Shaft
BNT0799	Friction Washer	BNT1948	Brake Collar	BNT2275	Level Wind Guard
BNT0810	Drag Washer	BNT1949	I.D. Plate Screw	BNT2276	Stabilizer Bar
BNT0816	Shaft Washer	BNT2070	Idle Gear (B)	BNT2278	Frame Bar (A)
BNT0817	Clutch Cam Retainer Screw	BNT2237	Right Side Plate Screw	BNT2280	Stand
BNT0819	Drive Shaft Bushing	BNT2238	Bush Plate Screw	BNT2281	Clutch Button Support Bar
BNT0820	Pinion Gear	BNT2240	Return Pin Guide	BNT2282	Handle Assembly
BNT0830	Spacer (optional)	BNT2241	Roller Clutch Assembly	BNT2286	Left Side Plate
BNT1239	Pawl Cap	BNT2242	Roller Clutch Inner Tube	BNT2287	Left Side I.D. Plate
BNT1245	Clutch Bar Support Spacer	BNT2243	A-Side Seal	BNT2288	Right Side Plate
BNT1289	Star Drag Spacer	BNT2244	Drive Shaft	BNT2289	Thumb Rest
BNT1419	Yoke Spring	BNT2245	Clutch Cam	BNT2290	Spool Assembly
BNT1455	Drag Spring Washer	BNT2246	Clutch Pawl	BNT2292	Star Drag
BNT1456	Drive Gear	BNT2247	Clutch Plate	BNT2293	Right Side Plate Nut
BNT1457	Drive Shaft Washer (B)	BNT2248	Set Plate	BNT2305	Stand Bolt
BNT1458	Anti-Reverse Ratchet	BNT2249	Bearing Retainer	BNT2341	Idle Gear (A)
BNT1461	Yoke	BNT2250	Line Guide		
BNT1462	Clutch Cam Retainer	BNT2251	Worm Bushing (A)		